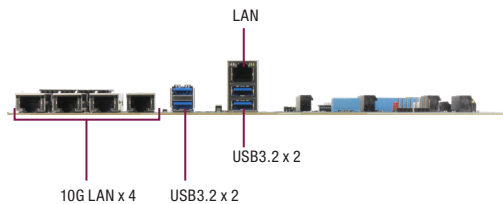


CN26 PCIe [x16] (lane 32-35)

CN27 PCIe [x8] (lane 0-7)

CN9 PCIe [x4] (lane 12-15)

CN10 PCIe[x4] (lane 8-11)



10G LAN x 4

USB3.2 x 2

USB3.2 x 2

LAN

## Features

- ATX Form Factor
- Supports COM Express Type 7 Basic Size
- PCIe [x16] + PCIe [x8] + PCIe [x4] x 2
- Display via Console or 3rd Party Graphic Solution
- USB 3.2 Gen 2 x 4
- SATA III x 2
- 10GbE x 4 (Intel® Ethernet Connection X557-AT4)



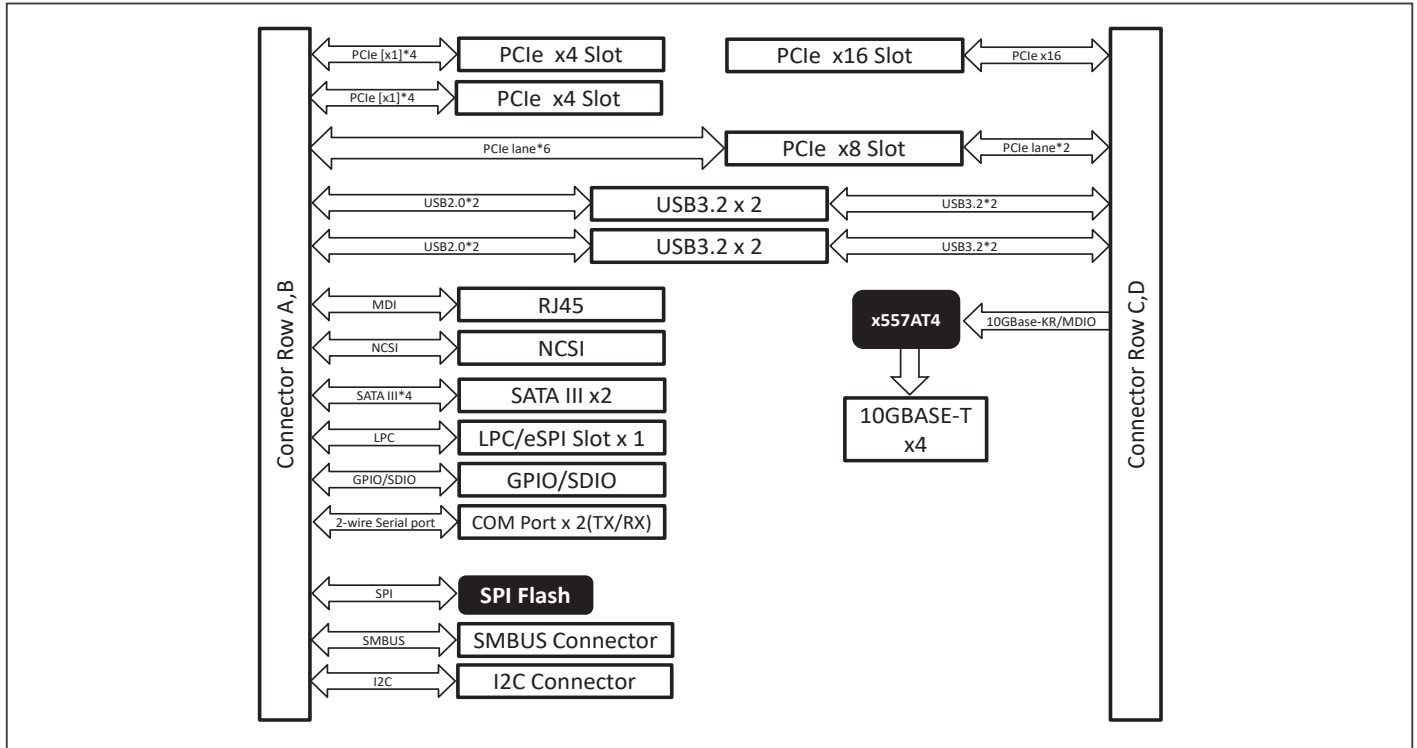
## Specifications

System	
Form Factor	COM Express Basic Size Type 7 Carrier Board in ATX Form Factor
COM Express Connector	x 2 (Row AB and Row CD, Type 7 pin-out)
I/O Chipset	—
Front Panel Control	10-pin Header (5x2)
Ethernet	10GbE x 4 (Intel® Ethernet Connection X557-AT4) GbE x 1 (from Module)
Expansion Interface	PCIe [x4] x 2 PCIe [x8] x 1 PCIe [x16] x 1 (PEG port)
Power Supply Type	Standard 24-pin ATX + 4-pin 12V
CMOS Battery	CR2032 Holder x 1
BIOS	—
Board Size	12" x 9.6" (305mm x 244mm)
Gross Weight	1.54 lb. (0.7Kg)
Operating Temperature	32°F ~ 140°F (0°C ~ 60°C)
Storage Temperature	-40°F ~ 185°F (-40°C ~ 85°C)
Operating Humidity	0% ~ 90% relative humidity, non-condensing
Display	
LCD	N/A. via PCIe Graphic card
Display interface	N/A. via PCIe Graphic card
I/O	
Storage	SATA x 2
Serial Port	2-wire UART x 2 (TX/RX)
USB	USB 3.2 x 4
Audio	N/A
GPIO	8-bit
Switch/Button	Power Button x 1 / Reset Button x 1
Debug LED	7-SEG LED X2 80 PORT POST CODE INDICATOR
I2C	1
Expansion Interface	SMBus, LPC/eSPI slot

\* I/O functions according to the type of module installed, please refer to function table.

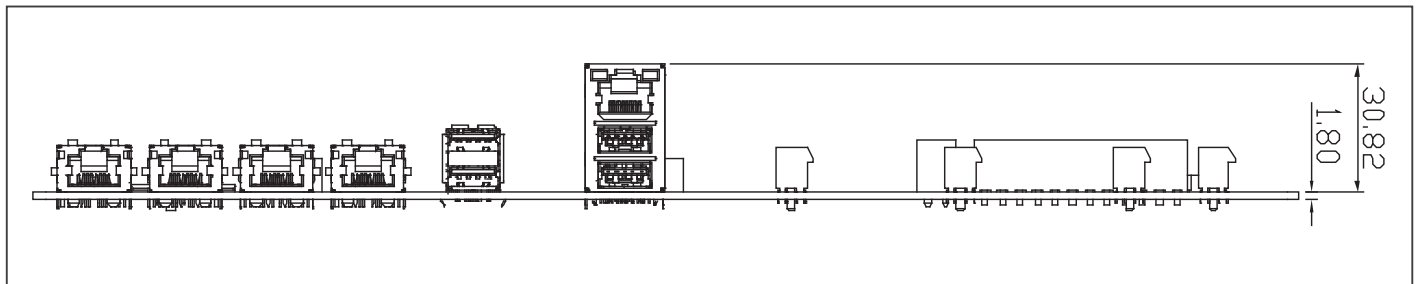


## Block Diagram



## Dimension

Unit: mm



## Packing List

- COM Port Cable x 2
- ECB-927A-A10 x 1

## Ordering Information

- ECB-927A-A10-0001  
COMe Type7 Carrier Board.4x10GbE.4USB.2COM.2SATA.PCIe.ATX.A1.0