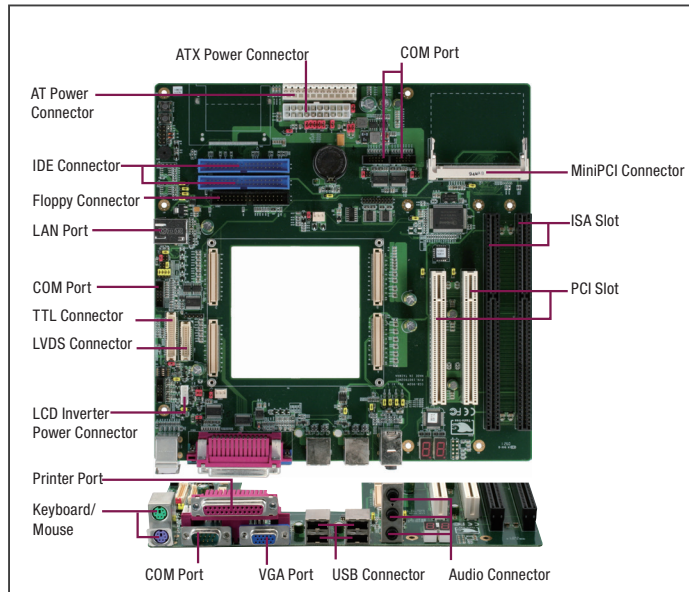


## ETX Carrier Board



## Features

- Supports ETX Module
- Supports 10/100Base-TX Ethernet, RJ-45 x 1
- VGA, LVDS, TTL-out Connector
- 2 CH Audio
- PATA Connector x 2
- USB Port x 4, COM Port x 4, Mini-PCI Connector x 1
- PCI Slot x 2, ISA Slot x 2
- AT/ ATX Power Input
- MicroATX Form Factor



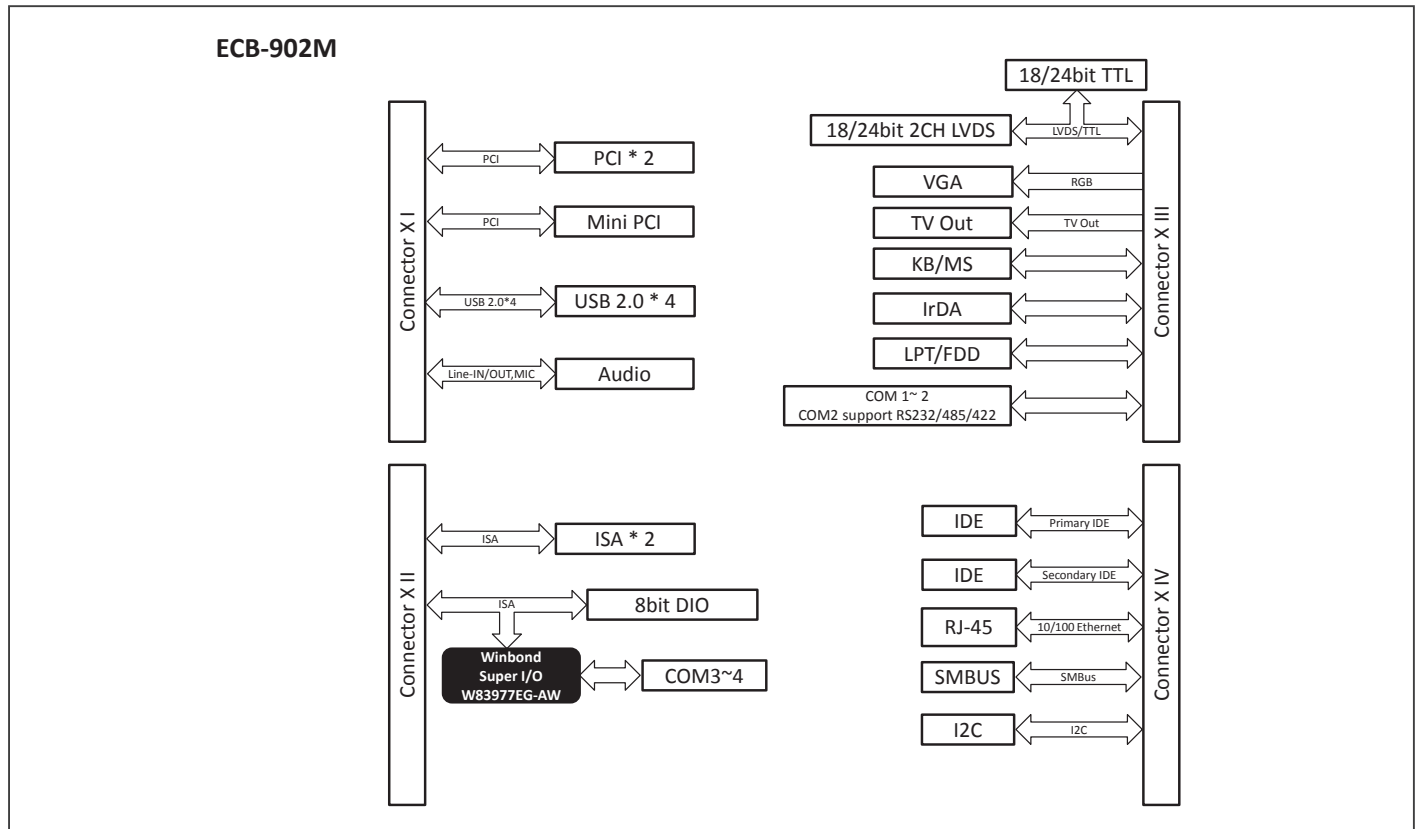
## Specifications

System	
Form Factor	MicroATX
I/O Chipset	Winbond W83977EG-AW
Ethernet	10/100Base-TX, RJ-45 x 1
Expansion Interface	PCI Slot x 2 ISA Slot x 2 Mini PCI slot x 1
Power Supply Type	AT/ ATX
Board Size	9.6" x 9.6" (244mm x 244mm)
Gross Weight	1.32 lb (0.6 kg)
Operating Temperature	32°F ~ 140°F (0°C ~ 60°C)
Storage Temperature	-40°F ~ 176°F (-40°C ~ 80°C)
Operating Humidity	0% ~ 90% relative humidity, non-condensing
MTBF (Hours)	132,000
Display	
VGA	DB15 connector x 1
LCD	30-pin (15x2) Dual-Channel LVDS connector x 1 40-pin (20x2) TTL connector x 1
I/O	
Storage	PATA connector x 2
Serial Port	RS-232 port x 3 (9-pin Dsub connector x 1 + 5 x 2-pin box header x 2) RS-232/422/485 port x 1 (5x2-pin box header)
Parallel Port	DB-25 connector x 1, supports SPP/ EPP/ ECP mode
USB	Type A connector x 4
PS/2 Port	Keyboard x 1, Mouse x 1
Digital I/O	Supports 8-bit (Programmable)
Audio	Audio jack, supports 2 channel audio
IrDA	One IrDA Tx/Rx header

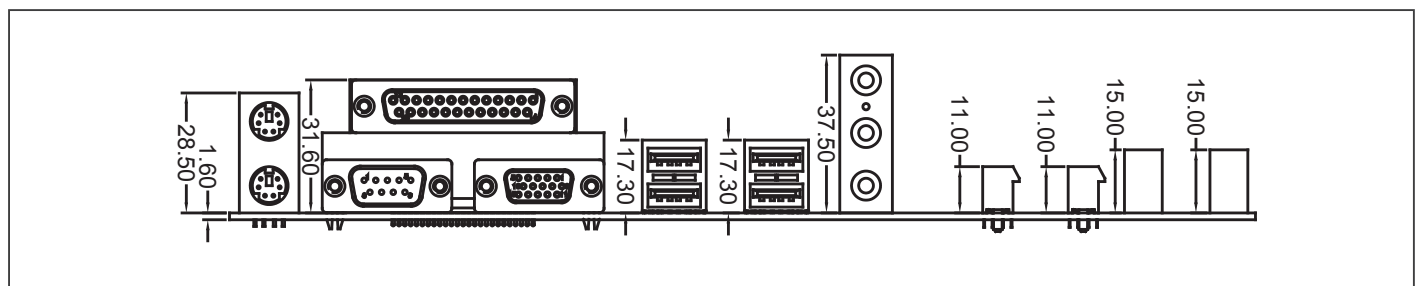
## Packing List

- **9681902M00:**  
Cable Kit
  - 1701400453 IDE Cable x 1
  - 1701340704 FDD Cable x 1
  - 1701100207 FPC x 1
- **Quick Installation Guide**
- **ECB-902M**

## Block Diagram



## Dimension



## Ordering Information

- **TF-ECB-902M-A10**  
ETX Carrier Board, LAN, Audio, 2 COM, 4 USB, 2 PCI, 1 Mini-PCI, 2 ISA, AT/ATX, Rev. A1.0 (For ETX-LN, ETX-945GSE, ETX-701)