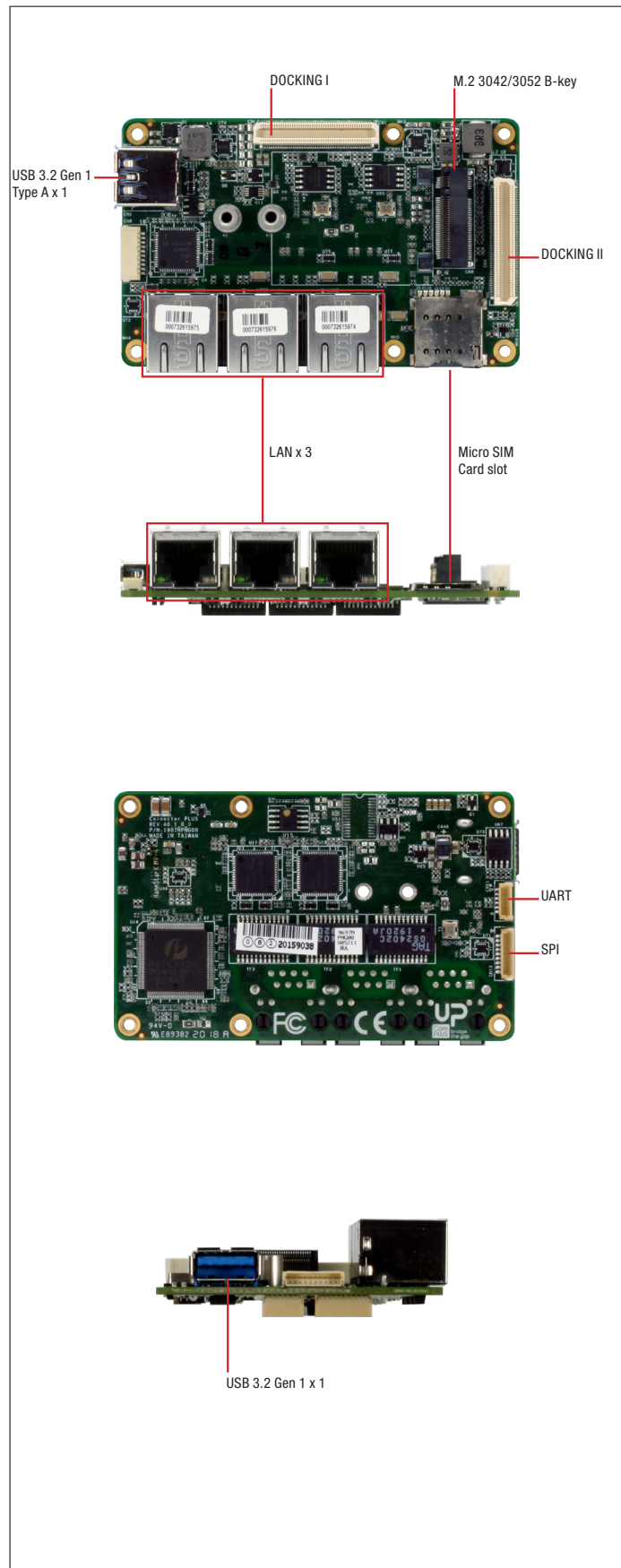


Connect Plus

Expansion board with 3 x Gigabit LAN powered by Intel® i211-AT/i210-IT for UP Core Plus, Up Xtreme



Features

- Gigabit LAN x 3
- Intel® I211-AT (optional with I210-IT for wide temperature) x 3
- USB 3.2 Gen 1 Type A x 1
- Windows® 10, Linux (ubinux, Ubuntu, Yocto), Android-IA 9.0
- UART x 1
- SPI x 1
- M.2 3042/3052 B-key x 1



Specifications

System	
VPU	—
Ethernet	Intel I211-AT x 3 (A10-001) Intel I210-IT for wide temperature x 3 (A10-002)
Power Requirement	12V5A
Power Supply Type	12VDC from M/B
Power Consumption (Typical)	Max 13.5W w/o 5G module
Dimensions (L x W)	3.54" x 2.2" (90 mm x 56 mm)
Operating Temperature	32°F ~ 140°F (0°C ~ 60°C)
Operation Humidity	10 ~ 80% relative humidity, non-condensing
Certification	CE/FCC Class A
OS Support	Microsoft Windows 10 Linux: ubinux, Ubuntu, Yocto Android-IA 9.0
I/O	
Ethernet	001: Intel® I211-AT x 3 002: Intel® I210-IT for wide temperature
USB	USB 3.0 Type A x 1
SATA	—
Expansion Slot	M.2 3042/3052 B-key DOCKING I DOCKING II UART x 1 SPI x 1

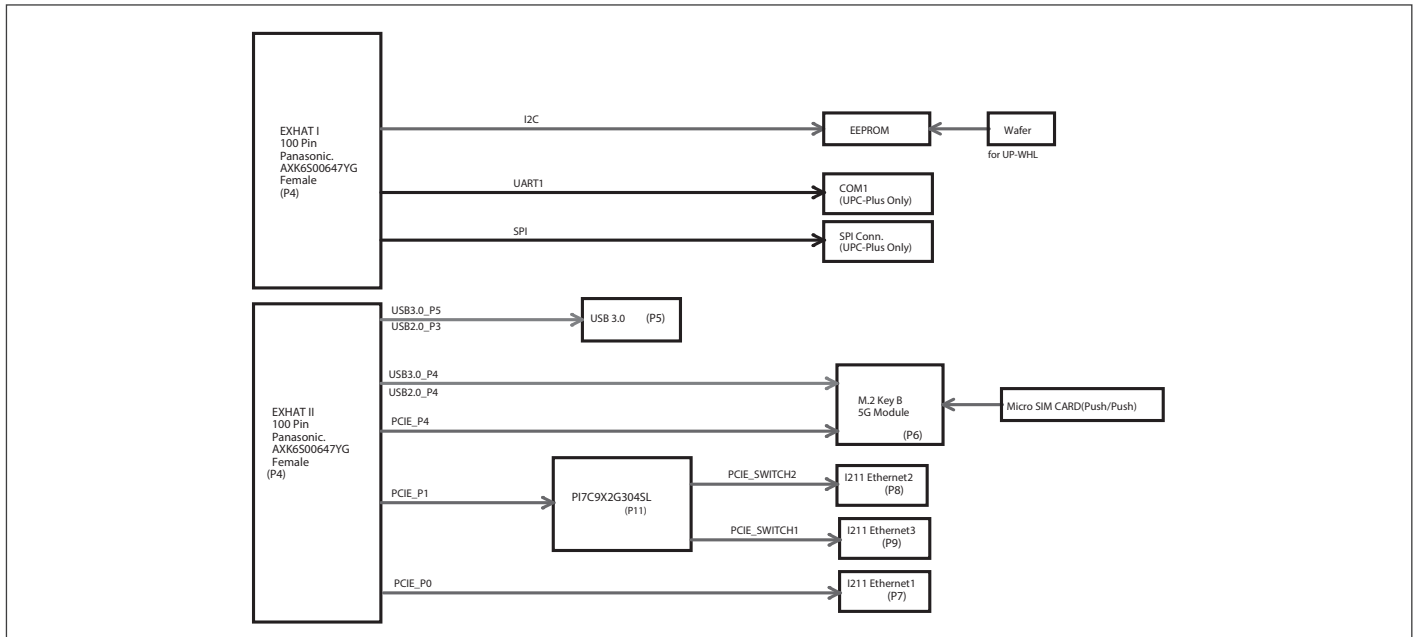
Packing List

- Adapter Board i x 1
- Adapter Board ii x 1
- Standoff x 12
- UP Connector Plus x 1

Ordering Information

Part Number	Description
UPCR-CPL3-A11-001	Connect Plus.i211-AT.for UP core Plus/UP Xtreme
UPCR-CPL3-A11-002	Connect Plus.i210-IT.for UP core Plus/UP Xtreme, A.1

Block Diagram



Dimension

Unit: mm

