

Features

- Onboard Intel® Atom™ E620/E680/E620T/E680T Processor
- Intel® EG20T IOH
- DDR2 667/800 Memory, Up to 2GB
- Gigabit Ethernet
- Up to 24-bit LVDS LCD, SDVO
- High Definition Audio Interface
- SATA 3.0Gb/s x 2 (1), SATA SSD x 1 (Optional), PATA x 1
- USB2.0 x 7 (USB Host x 6, USB Client x 1)
- PCI-Express [x1] x 2
- Compact Module Size, Pin-out Type 2, 95mm x 95mm, COM.0 Rev. 2.0
- -40°C ~ 85°C Wide Temperature Range Available for Selected Model

Specifications

| System | |
|---|--|
| Form Factor | COM Express compact module, Pin-out Type 2, COM. 0 Rev. 2.0 |
| Processor | Onboard Intel® Atom™ E620/E680/E620T/E680T Processor, 0.66GHz ~ 1.6GHz |
| System Memory | Onboard DDR2 667/800MHz memory, up to 2GB |
| I/O Chipset | Intel® EG20T IOH |
| Ethernet | Realtek RTL8211CL, 10/100/1000Base-TX |
| TPM | — |
| BIOS | AMI BIOS |
| EEPROM | Atmel® AT24C02, save BIOS and Configuration data (Optional) |
| Wake on LAN | Yes |
| Watchdog Timer | Intel® E620/E680 Processor integrated |
| H/W Status Monitoring | Supports CPU temperature monitoring |
| Expansion Interface | 4-bit SDIO: Multiplexed with GPIO pins PCI-Express [x1] x 2 LPC bus x 1 SMBus x 1 |
| Power Requirement | +12V |
| Power Consumption (Typical) | Intel® Atom™ E680 1.6GHz, DDR2 1GB, 0.97A@+12V 0.46A@+5V (w/ECB-916M) |
| Board Size | 3.74" (L) x 3.74" (W) (95mm x 95mm) |
| Gross Weight | 0.55 lb (0.25 Kg) |
| Operating Temperature | 32°F ~ 140°F (0°C ~ 60°C), -40°F ~ 185°F (-40°C ~ 85°C) for WiTAS 2 |
| Storage Temperature | -40°F ~ 176°F (-40°C ~ 80°C) |
| Operating Humidity | 0% ~ 90% Relative Humidity, Non-Condensing |
| MTBF (Hours) | 111,000 |
| Display | |
| Supports LVDS/SDVO independent display and Hi-Definition Video 2D/3D Encoder/ Decoder | |
| Chipset | Intel® E620/E680/E620T/E680T Processor integrated |
| Memory | Shared system memory up to 256MB/ DVMT 4.0 |
| Resolution | Up to 1280 x 1024@85Hz for SDVO Up to 1280 x 768@60Hz for LCD LVDS default: 800 x 600@18-bit |
| LCD Interface | 24-bit Single Channel LVDS |
| SDVO/ DVO/ Side Port | Supports SDVO x 1 |
| I/O | |
| Storage | SATA SSD onboard (Master device), Max. 4GB (optional) SATA 3.0Gb/s x 1 (2) PATA x 1 |
| USB | USB2.0 x 7 (USB Host x 6, USB Client x 1) |
| Audio | High definition audio |
| GPIO | Up to 4 in and 4 out |



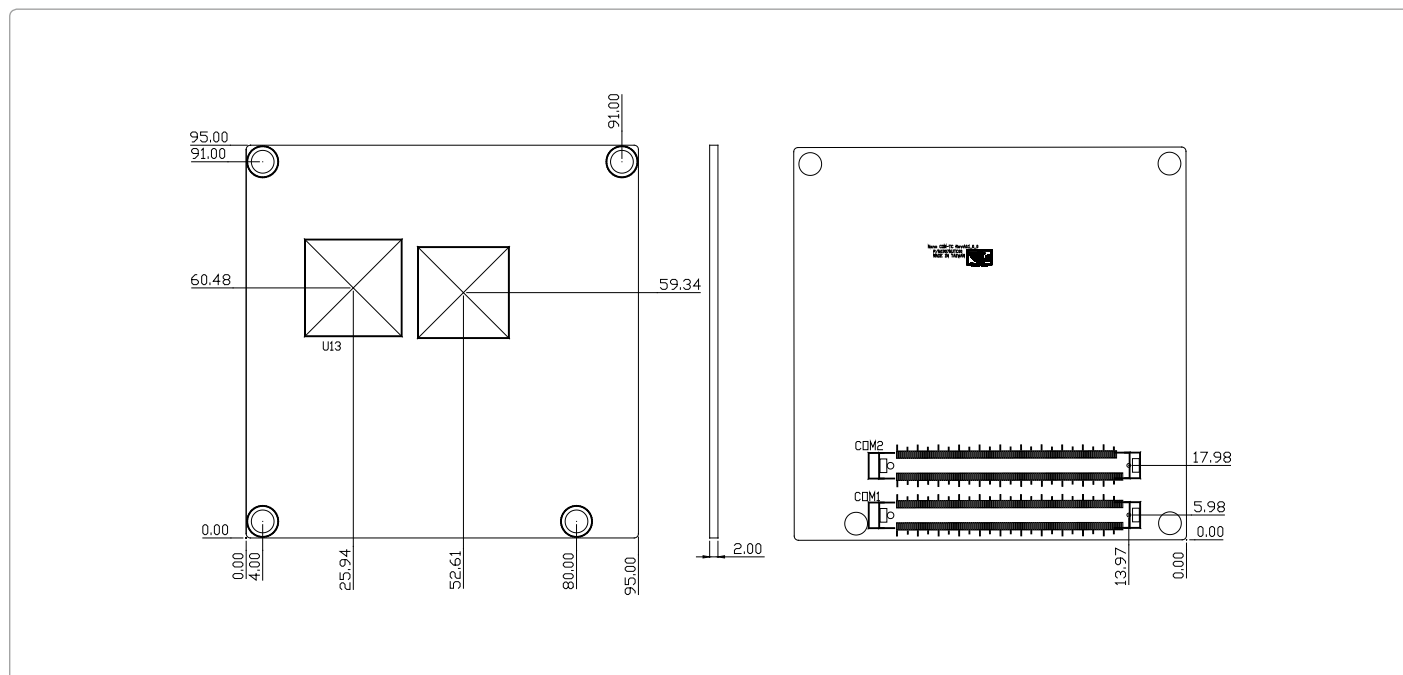
Packing List

- M2.5 Screw x 4
- Product CD
- COM-TC

COM-TC

Dimension

Unit: mm



Ordering Information

| Part Number | COM Express Type | CPU | Memory | Display | LVDS | Storage | LAN | USB | UART | Expansion Slot | Power | Temp |
|--------------------|-------------------|---------------------------|------------------|------------|----------|-----------------------|---------|--------------------------------|------|----------------|-------|-------------------------|
| TF-COM-TC-A10 | 2 (COM.0 Rev.2.0) | Intel® Atom™ E620/0.6GHz | Onboard 1GB DDR2 | LVDS, SDVO | 24b, 1CH | SATA2 x 2 PATA x 1 | GbE x 1 | USB2.0 x 6 USB (Client) x 1 | — | PCI-E [x1] x 2 | 12V | 0°C ~ 60°C |
| TF-COM-TCW2-A10 | 2 (COM.0 Rev.2.0) | Intel® Atom™ E620T/0.6GHz | Onboard 1GB DDR2 | LVDS, SDVO | 24b, 1CH | SATA2 x 2 PATA x 1 | GbE x 1 | USB2.0 x 6 USB (Client) x 1 | — | PCI-E [x1] x 2 | 12V | WITAS 2 -40°C ~ 85°C |
| TF-COM-TC-A10-03 | 2 (COM.0 Rev.2.0) | Intel® Atom™ E680/1.6GHz | Onboard 1GB DDR2 | LVDS, SDVO | 24b, 1CH | SATA2 x 2 PATA x 1 | GbE x 1 | USB2.0 x 6 USB (Client) x 1 | — | PCI-E [x1] x 2 | 12V | 0°C ~ 60°C |
| TF-COM-TCW2-A10-03 | 2 (COM.0 Rev.2.0) | Intel® Atom™ E680T/1.6GHz | Onboard 1GB DDR2 | LVDS, SDVO | 24b, 1CH | SATA2 x 2 PATA x 1 | GbE x 1 | USB2.0 x 6 USB (Client) x 1 | — | PCI-E [x1] x 2 | 12V | WITAS 2 -40°C ~ 85°C |

Optional Accessories

- TF-ECB-916M-B11**
 COM Express Carrier Board, microATX, Dual Gigabit Ethernet, 2 COM (Winbond), USB, PCI-Express, AT/ATX, Rev. B1.1
- TF-PER-A110**
 Passive Heatsink, For COM-TC, Onboard CPU
- TF-PER-A111**
 Heat Spreader Kit, For COM-TC, Onboard CPU