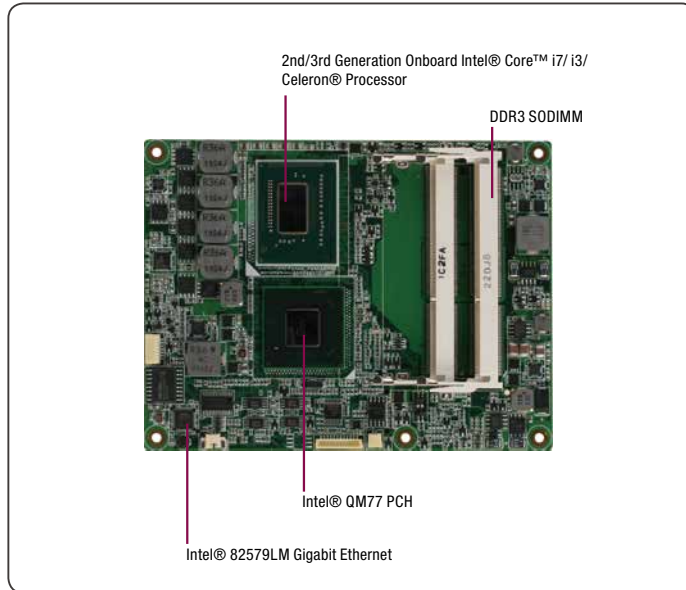


06 COM-QM77 Rev. B

COM Express Type 6 CPU Module with Onboard Intel® Core™ i7/i5/i3/Celeron® Processor



Features

- Onboard Intel® Core™ i7/i5/i3/Celeron® Processor (FCBGA1023)
- Intel® QM77/HM76 PCH
- Dual-Channel DDR3 1333/1600 MHz SODIMM x 2, Up to 16 GB
- Gigabit Ethernet (iAMT 8.0 Support)
- CRT, Up to 24-bit Dual-Channel LVDS LCD, DDI x 2
- USB 3.0 x 4, USB 2.0 x 8, SATA x 4
- PCI-Express [x16] x 1, PCI-Express [x1] x 7
- COM Express Compact, Pin-out Type 6, COM.0 Rev. 2.0
- IEEE 1588 Compatible
- -20°C ~ 70°C Wide Temperature Range Available for Selected Model

Specifications

System	
Form Factor	COM Express, Compact, Pin-out Type 6
CPU	On board 3rd Gen. Intel® Core™ i7/i5/i3/Celeron® (FCBGA1023)
CPU Frequency	Up to 2.5GHz
Chipset	Intel® PCH QM77/HM76
Memory Type	DDR3 1333/1600, SODIMM x 2, Supports Dual Channel function
Max. Memory Capacity	16GB
BIOS	AMI BIOS
Wake on LAN	Yes
Watchdog Timer	255 Levels
Power Requirement	Nominal: +12V
Power Supply Type	AT/ ATX
Power Consumption (Typical)	Intel® Core™ i3-3217UE 1.6GHz, DDR3 1066 4GB, 2.23A @+12V
Dimension (L x W)	4.92" x 3.74" (125mm x 95mm)
Operating Temperature	32°F ~ 140°F (0°C ~ 60°C) -4°F ~ 158°F (-20°C ~ 70°C) for WITAS 1
Storage Temperature	-40°F ~ 176°F (-40°C ~ 80°C)
Operating Humidity	0% ~ 90% relative humidity, non-condensing
MTBF (Hours)	80,000
Certification	CE/FCC
Display	
VGA/LCD Controller	Intel® Core™ i7/i5/i3 Celeron® integrated
Video Output	CRT, LVDS LCD, DDI x 2
I/O	
Ethernet	Intel® 82579LM, Gigabit Ethernet
Audio	High definition audio
USB Port	USB 2.0 x 8
Serial Port	Tx/Rx x 2
Parallel Port	—
HDD Interface	SATA 2 x 4
SSD	—
Expansion Slot	PCI-Express [x16] x 1, PCI-Express [x1] x 7, LPC Bus x 1, SM Bus x 1, I2C x 1
DIO	GPIO 8-bit
TPM	Optional



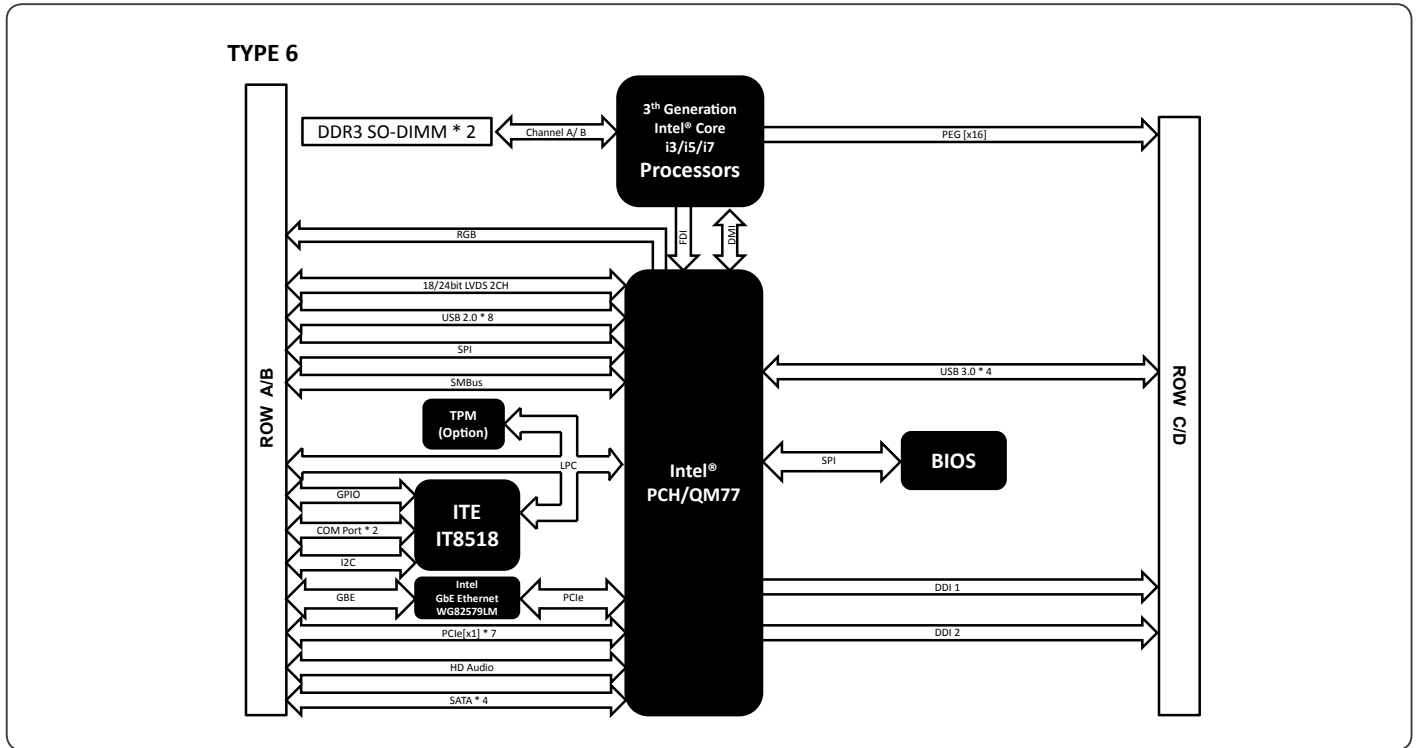
Packing List

- M2.5 Screw x 5
- Product DVD
- COM-QM77 Rev. B

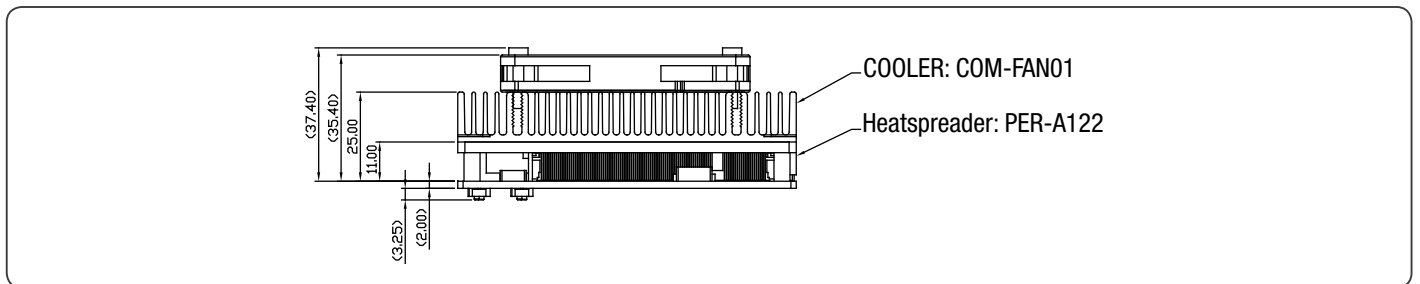
Optional Accessories

- **ECB-920A-A10-0001**
COM Express Type 1/6/10 Carrier Board, Gigabit Ethernet, USB, 2 COM, 4 SATA, PCIe, AT/ATX, Legacy Free, Rev. A1.0
- **PER-A122**
Heat Spreader, For COM-QM77, Onboard CPU
- **COM-FAN01**
CPU Cooler, 125 x 95 x 26.4mm, Sliver, use with HSP

Block Diagram Unit: mm



Dimension Unit: mm



Ordering Information

Part Number	COM Express Type	Chipset	CPU	Memory	Display	LVDS	Storage	LAN	USB	UART	Expansion Slot	Power	Temp.
COM-QM77-B11	6 (COM.0 Rev.2.0)	QM77	3rd Generation Intel® Core™ i7-3555LE/2.5 GHz (FCBGA1023)	DDR3 SODIMM x 2 up to 16 GB	CRT, LVDS, DDI x 2	24b, 2CH	SATA x 4	GbE x 1	USB3.0 x 4 USB2.0 x 8	2 (Tx/Rx)	PCI-E [16] x 1, PCI-E [1] x 7	12V	0°C ~ 60°C
COM-QM77-B11-01	6 (COM.0 Rev.2.0)	QM77	3rd Generation Intel® Core™ i7-3517UE/1.7 GHz (FCBGA1023)	DDR3 SODIMM x 2 up to 16 GB	CRT, LVDS, DDI x 2	24b, 2CH	SATA x 4	GbE x 1	USB3.0 x 4 USB2.0 x 8	2 (Tx/Rx)	PCI-E [16] x 1, PCI-E [1] x 7	12V	0°C ~ 60°C
COM-QM77-B11-02	6 (COM.0 Rev.2.0)	HM76	3rd Generation Intel® Core™ i3-3217UE/1.6 GHz (FCBGA1023)	DDR3 SODIMM x 2 up to 16 GB	CRT, LVDS, DDI x 2	24b, 2CH	SATA x 4	GbE x 1	USB3.0 x 4 USB2.0 x 8	2 (Tx/Rx)	PCI-E [16] x 1, PCI-E [1] x 7	12V	0°C ~ 60°C
COM-QM77W1-B11	6 (COM.0 Rev.2.0)	QM77	3rd Generation Intel® Core™ i7-3555LE/2.5 GHz (FCBGA1023)	DDR3 SODIMM x 2 up to 16 GB	CRT, LVDS, DDI x 2	24b, 2CH	SATA x 4	GbE x 1	USB3.0 x 4 USB2.0 x 8	2 (Tx/Rx)	PCI-E [16] x 1, PCI-E [1] x 7	12V	WITAS 1 (-20°C ~ 70°C)

Remark: Wide temperature criteria does not apply to Audio function. If audio function is required, please select industrial grade audio codec IC for design and apply thermal solution.