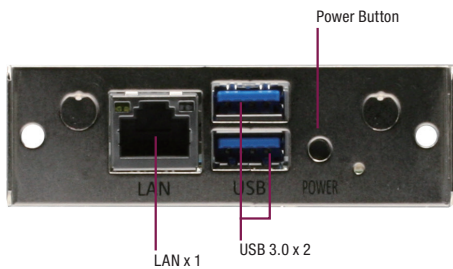
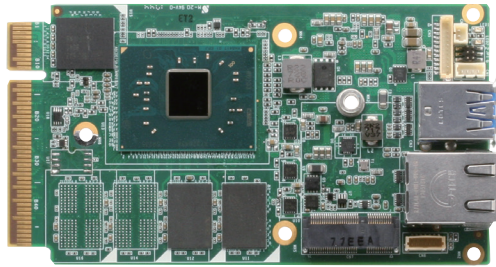


Intel® Smart Display Module-Small Size with Intel® Pentium® N4200/ Celeron® N3350 Processor SoC



Features

- Intel® Smart Display Module- Small Size
- Intel® Pentium® N4200/ Celeron® N3350 Processor SoC
- Onboard LPDDR4 up to 8GB
- Onboard eMMC up to 128G
- M.2 2230 (E-Key) x 1
- USB 3.0 x 2; LAN I211, RJ45 x 1
- HDMI x1, DP1.2 x1



Specifications

System	
Form Factor	Intel SDM-S Module
CPU	Intel® Pentium® N4200/ Celeron®N3350/ Intel Atom® E3900 Series SoC
CPU Frequency	Up to 2.5 Ghz
Chipset	Intel® Pentium® N4200/ Celeron®N3350/ Intel Atom® E3900 Series SoC
Memory Type	onboard LP DDR4
Max. Memory Capacity	Up to 8G
BIOS	AMI BIOS
Wake On LAN	Yes
Watchdog Timer	255 Levels
Power Requirement	12V DC from the Docking Board through the Edge Connector
Power Supply Type	AT/ATX
Power Consumption (Typical)	Intel® Pentium® N4200, LPDDR4 8G, 5.5A@12V
Dimension (L x W x H)	100mm x 60mm x 20mm
Operating Temperature	0~55 degree
Storage Temperature	-40°F ~ 176°F (-40°C ~ 80°C)
Operating Humidity	0% ~ 90% relative humidity, non-condensing
MTBF (Hours)	239,000 hours
Certification	CE/FCC
Display	
Controller	Intel® Pentium® N4200/ Celeron®N3350/ Intel Atom® E3900 Series SoC
Video Output	1x HDMI 1.4 1x DP1.2 (through Edge connector)
Audio	Through HDMI, DP by edge connector
I/O	
Ethernet	LAN I211, RJ45 x 1
USB Port	USB3.0 x 2
Storage	eMMC 32/64/128G
Expansion Slot	M.2 2230 (E-Key)

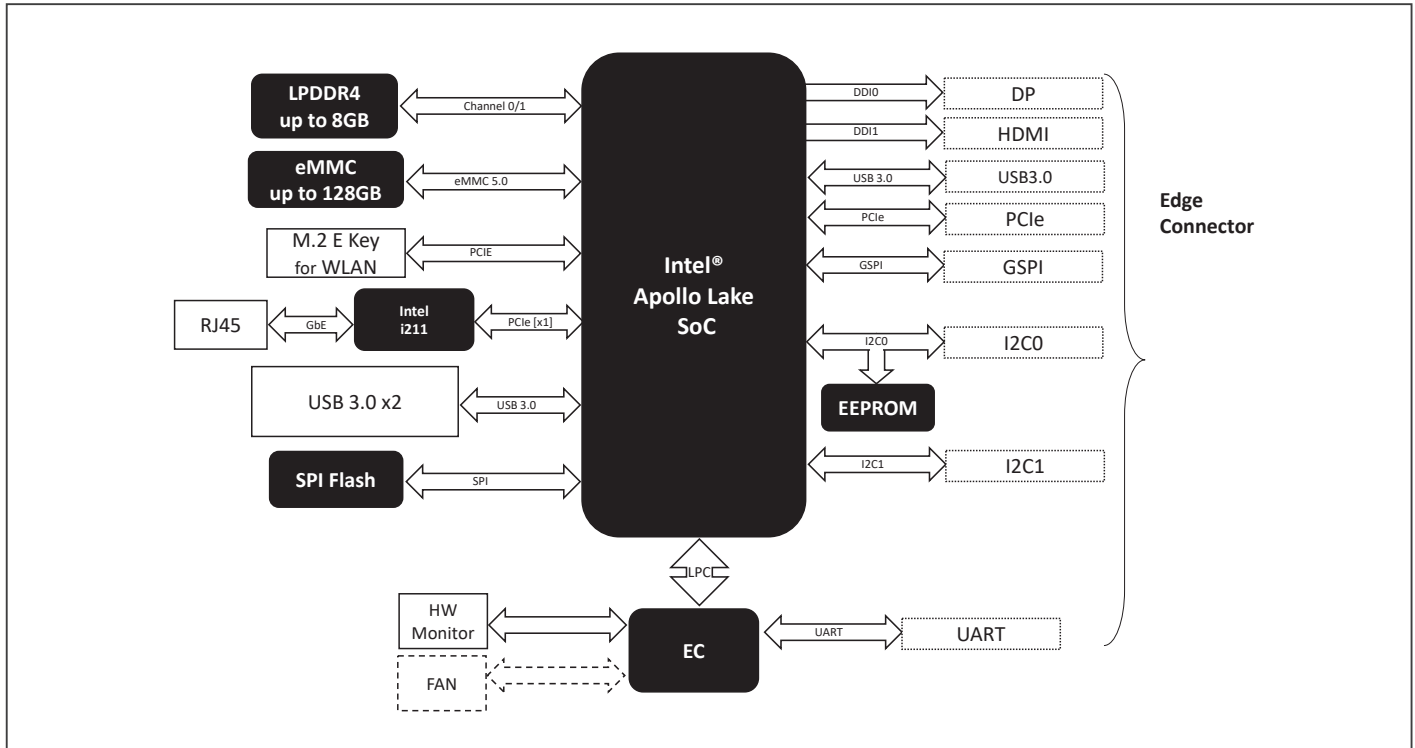
Packing List

- ASDM-S-APL

Optional Accessories

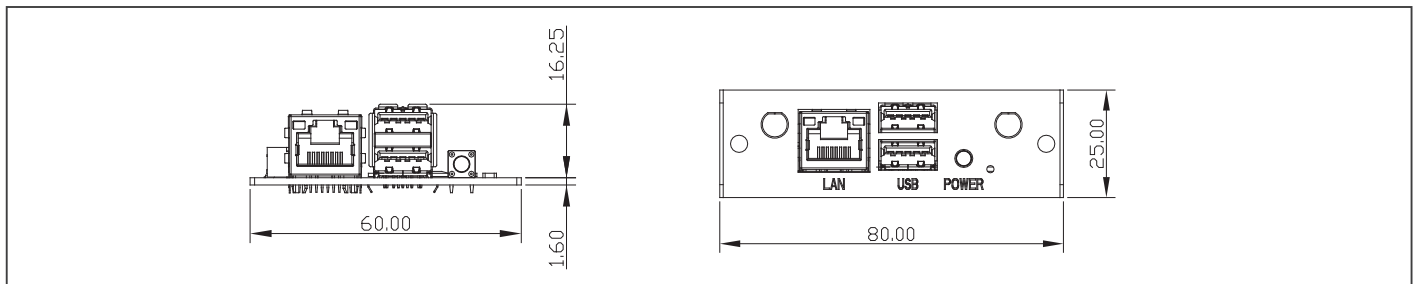
Part Number	Description	Qty.
ASDM-S-APL-FAN01	FAN+Heat Sink	1
ASDM-S-APL-HSK01	Heat sink	1
ASDM-S-BRKT01	Bracket for SDM-S module	1

Block Diagram



Dimension

Unit: mm



Ordering Information

Part Number	CPU	Fan/Fanless	Display	Memory	Storage	LAN	USB	Expansion Slot	Power	Power Temp	Others
ASDM-S-APL-A10-0001	Intel Pentium N4200	Fan	HDMI+ DP	onboard LPDDR4 4G	onboard eMMC 64G	GbE x 1	USB3.0 x 2	M.2 (E-key) x 1	+12V, AT/ATX from PIB	0°C ~ 55°C	—