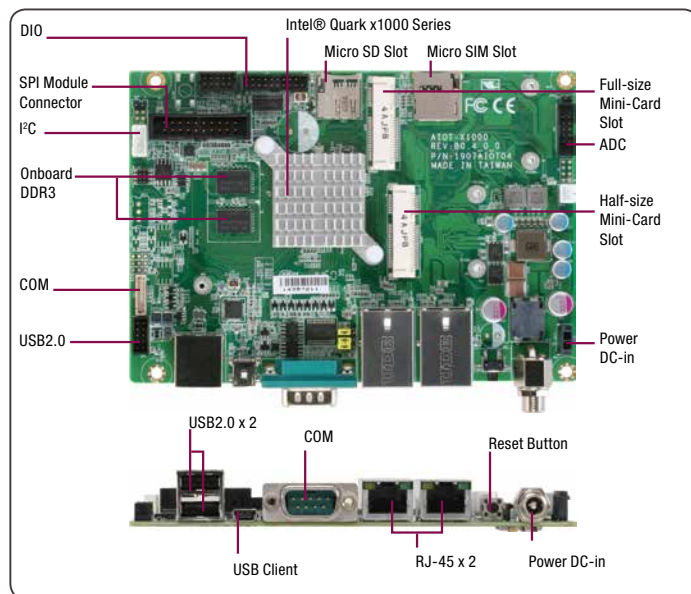


12 AIOT-X1000

3.5" SubCompact Board with Intel® Quark x1000 Series Processor SoC



Features

- Intel® Quark x1000 Series Processor SoC
- Onboard 1 GB DDR3 800 MHz
- Micro SD Slot x 1
- USB2.0 x 4
- COM x 2 (RS-232 x 1, RS-232/422/485 x 2)
- Moon Island Capable with McAfee Security
- VDC 5V or 9~24V (Phoenix/Lockable VDC Connector)

Specifications

System	
Processor	Intel® Quark x1000 Series Processor SoC, 400MHz
System Memory	Onboard DDR3 800 MHz ECC, un-buffered memory, up to 1 GB
TPM	SLB9645TT1.2
Expansion Interface	Full Size Mini-PCIe Slot for PCIe and USB Host Interface x 1 Half-size Mini-PCIe Slot for PCIe x 1
Boot Loader	8 MB SPI Flash
I/O	
Storage	Micro SD card slot x 1
Serial Port	RS-232 x 1, RS-232/422/485 x 1
USB	USB2.0 x 4, USB client port x 1
LAN	10/100Base-TX, RJ-45 x 2
DIO	16-bit Digital I/O interface
ADC	Supports 8-pin with 12-bit resolution, Analog input range: 0 V to 2.5 V (0 - 20mA)
SPI	2 pairs (support optional module)
I2C	1 pair (supports optional module)
Power	
Power Requirement	VDC 5V, or 9~24V
Environmental	
Operating Temperature	Standard Version: 32°F ~ 140°F (0°C ~ 60°C) Wide-Temp Version: -40°F ~ 185°F (-40°C ~ 85°C)
Operating Humidity	0% ~ 90% R/H, non-condensing
Certificate	CE & FCC
Mechanical	
Board Size	5.75" x 4" (146mm x 101.6mm)
Gross Weight	0.88 lb (0.4 kg)
Others	
Operating System	Wind River Linux with McAfee for Moon Island Support Yocto linux
Optional Module	Wi-Fi, Bluetooth, ZigBee, 3G (Wind River) Wi-Fi, Bluetooth, 3G (Yocto)



Packing List

- 1709100208
USB cable
- 1701090201
COM cable
- Product CD
- AIOT-X1000 with Heatsink

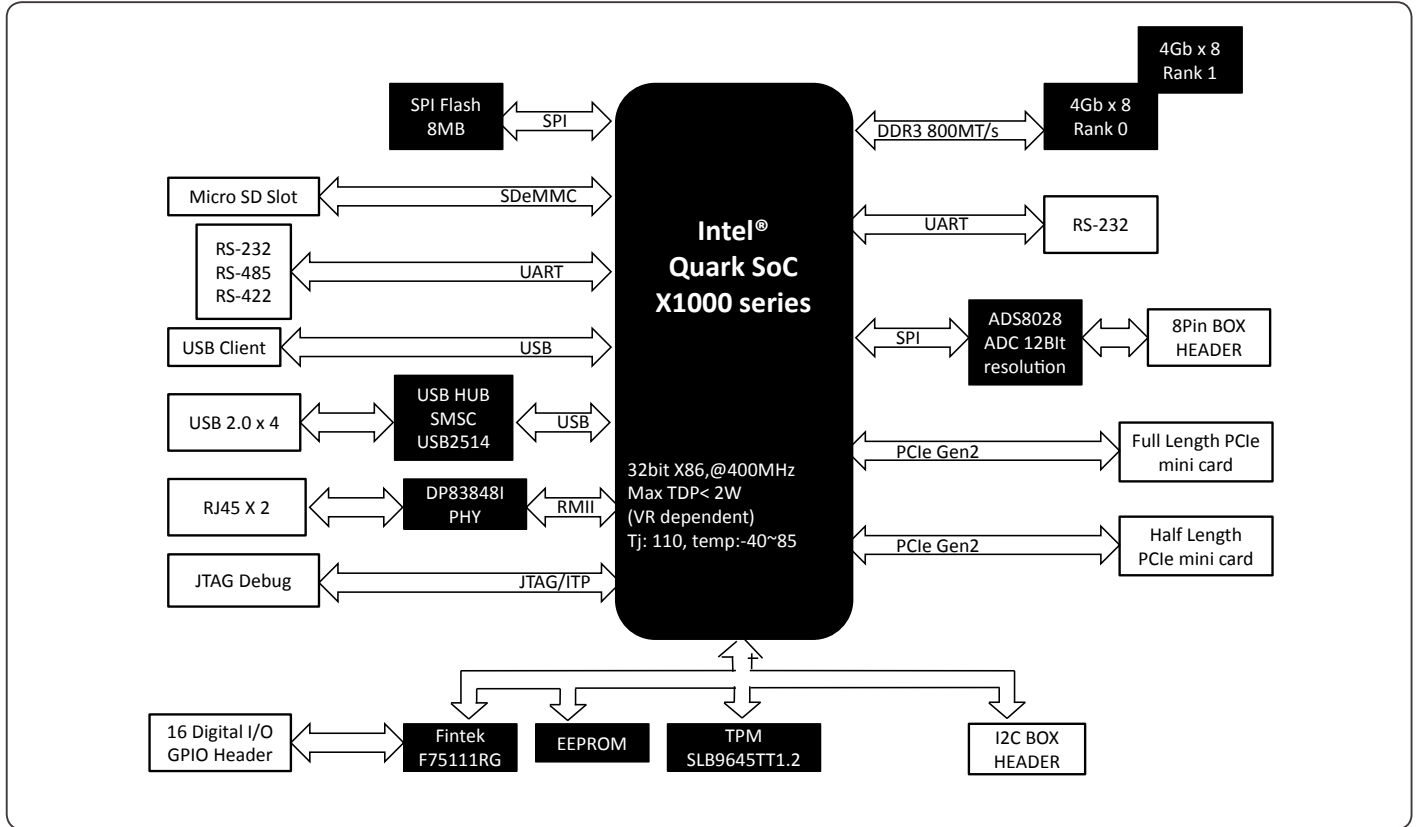
I/O Ports Placement

Rear I/O Port
USB2.0 Port x 2 Mini USB Port x 1 Serial Port (RS-232/422/485) x 1 LAN (RJ-45) Port x 2 Reset Button x 1 Lockable DC connector (VDC 5V, or 9~24V) x 1
Internal I/O Connectors
Full Size Mini-Card Slot x 1 Half-size Mini-Card Slot x 1 Micro SD Card Slot x 1 RS-232 Header x 1 (Optional for RS-422/485) USB2.0 Header x 1 support 2 ports I2C x 1 ZigBee SPI Module connector x 1 SPI x 2 DIO x 1 ADC x 1 SYS LED x 1 Reset Button x 1 (Software) DC power Input connector x 1 Reset Button x 1 (Hardware) Micro SIM Slot x 1 HDD LED x 1

Optional Accessories

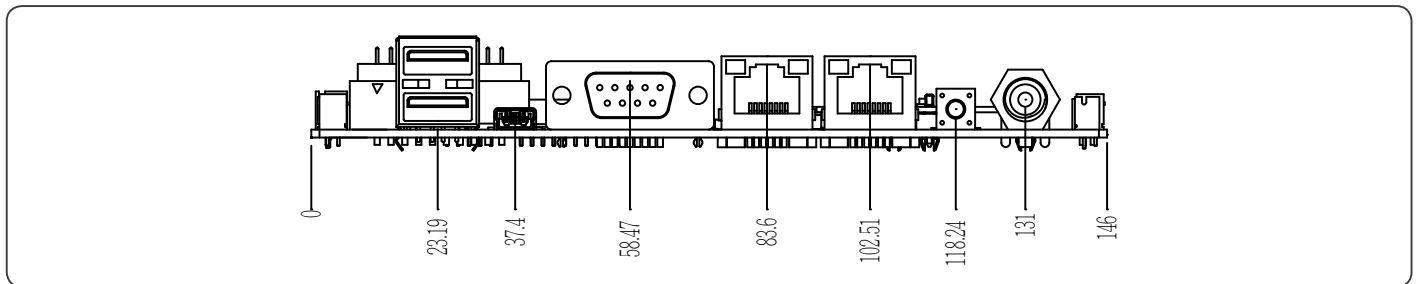
- 1255300607
Power Adapter for AIOT-X1000

Block Diagram



Dimension

Unit: mm



Ordering Information

Part Number	CPU	Moon Island Production Kit	DRAM	Storage	LAN	USB	RS-232	RS-232/422/485	Expansion slot	Temp	ADC	DIO	USB Client	I2C
AIOT-X1000-B10-01	Quark x1021	1	DDR3 1 GB	4 GB	10/100 x 2	2.0 x 4	1	1	Mini PCIe slot x 2	-20°C ~ 70°C	1	1	1	1
AIOT-X1000-B10-03	Quark x1000	—	DDR3 512 MB	4 GB	10/100 x 2	2.0 x 4	1	1	Mini PCIe slot x 1	0°C ~ 60°C	—	—	—	—