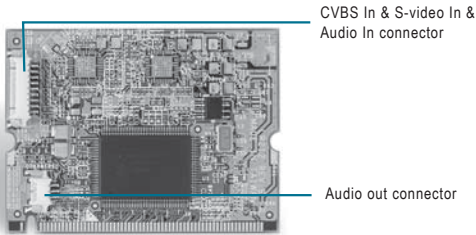


TF-PER-A025

Mini PCI Single Channel Video Capture Module



Features

- ▶ Mini PCI Type III Interface
- ▶ Single Channel Video Capture with Philips SAA7135
- ▶ NTSC/PAL Video Format Support

Specifications

Main Specifications	
Form Factor	Mini PCI Type III B (44.5mm x 59.6mm)
Video Decoder	Philips SAA7135
Video Input	CVBS & S-Video
Video Format Support	NTSC & PAL
Sample Rate	720 pixels/line
Sample Rate	Windows® 2000/XP WDM driver for DirectShow based application
Operating Temperature	32°F ~ 140°F (0°C ~ 60°C)

Ordering Information

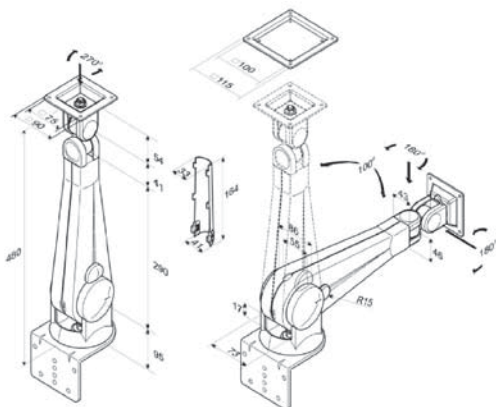
- TF-PER-A025
Mini PCI Single Channel Video Capture Module with Philips SAA7135

ARM-LA0115

LCD Flat Panel Monitor Arm (VESA 75/100)



Dimension Unit: mm



Features

- ▶ SUSPA Series System Ensures the Stability of Product and Strength of Quality
- ▶ Supports Monitors from 8 kg to 15 kg Depending Each User's Demands
- ▶ Y-Y Connection Adjusts in Different Positions for Comfortable Viewing
- ▶ Cable Location Helps to Organize the Cables In Order
- ▶ Adjusting Knob Adapts to Different Monitor Weights
- ▶ Screen Pivots 180 Degrees Front or Back
- ▶ Screen Pivots 180 Degrees Up or Down
- ▶ Screen Pivots 270 Degrees Left or Right
- ▶ Gross Weight: 11 lb (5 kg)
- ▶ Supports AOP-8120, AOP-8150, APC-9172, APC-8152, APC-8172, APC-8122, OPD-212, OPD-215, OPD-217, AMB-232

Ordering Information

- ARM-LA0115
LCD Flat Panel Monitor Arm