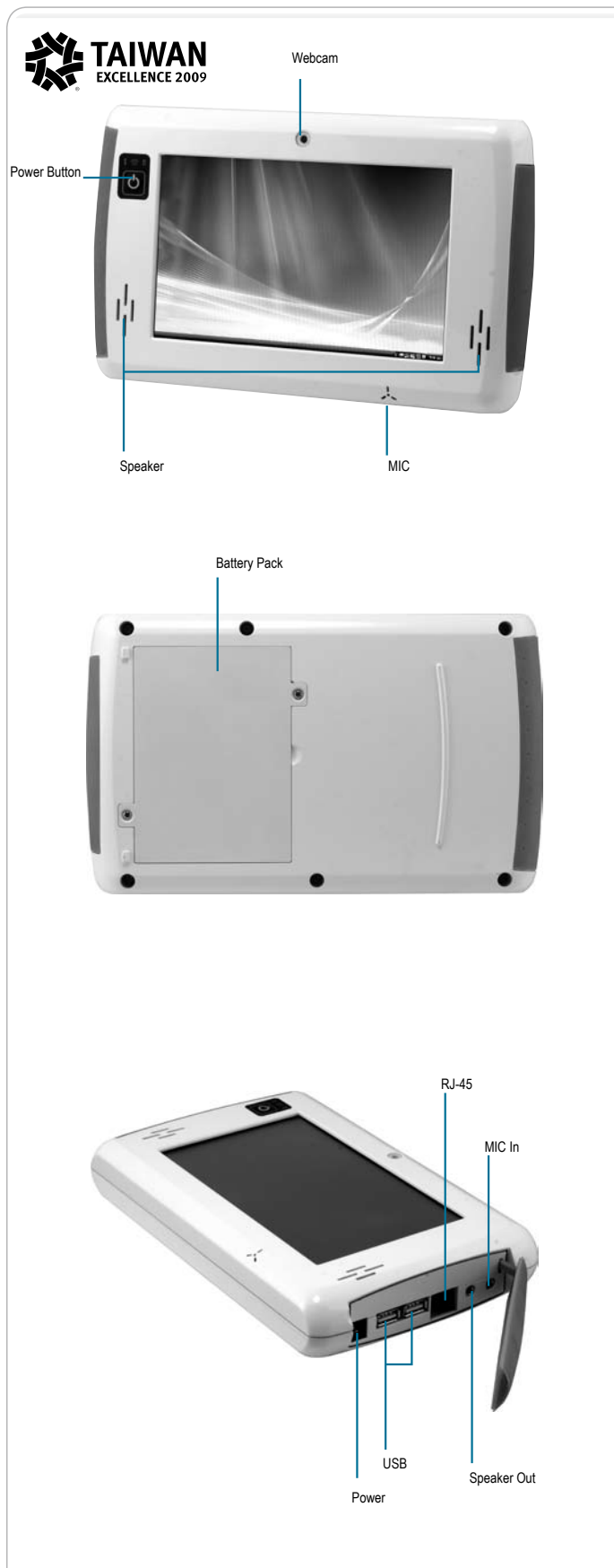


# ONYX-MT70X

■ 7" Fanless Mobile Telecare Assistant



## Features

- Intel® Atom™ Z530 Processor, Ultra Low Power
- Portable, Compact Design
- SD And CompactFlash™ Card Interface
- 16:9 400 Nits 7" TFT LCD Screen
- Optional HSDPA 3.75G, WLAN, Bluetooth Enabled
- IP-54 Compliant
- Built-In Webcam
- Internal MIC & Speaker
- Less Than 1 Kg



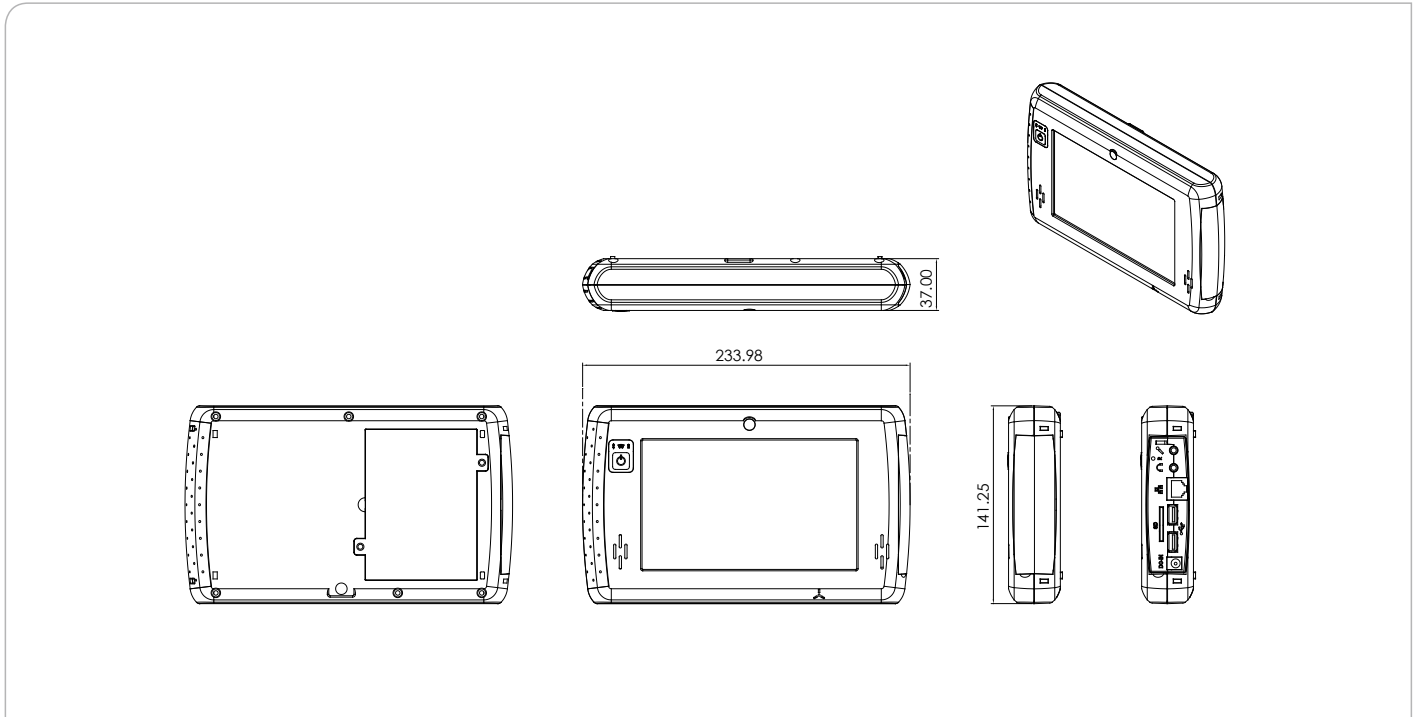
## Specifications

Main Specifications	
Processor	Intel® Atom™ Z530 processor
System Memory	200-pin SODIMM x 1, DDRII 400/533, Max. 1 GB
I/O Port	USB host x 2 Earphone jack x 1 MIC x 1 RJ-45 x 1
Storage Disk	SD and CompactFlash™ interface
Audio	Built-in speaker & Microphone
Internal Wireless Accessory	Bluetooth (optional) WiFi – 802.11b/g (optional) WWLAN 3.75G HSDPA/ UMTS/ EDGE (optional)
OS Support	Windows® XP Embedded, Windows® 7
Card Readers	SD card reader
Mechanical	
Construction	Closed frame construction
Color	White with gray
Mounting	
Dimension	9.2" x 5.6" x 1.5" (234mm x 141mm x 37mm)
Gross Weight	2.2lb (1kg)
Net Weight	1.98 lb (0.9Kg)
Environmental	
Waterproof	IP-54 Compliant
Operating Temperature	14°F~122 °F (-10°C ~ 50°C)
Storage Temperature	-4°F ~140°F (-20°C ~60°C)
Operating Humidity	10 to 90%@ 40°C, non-condensing
EMC	CE/FCC Class A
Power Supply	
Adapter	AC/ DC wall adapter
LCD	
Display Type	7 " TFT LCD
Max. Resolution	800 x 480
Max. Color	262K
Dot Size	0.190(H) x 0.190(V)
Luminance	400 cd/m <sup>2</sup> (TYP.)
View Angle	120°(H)/105°(V)
Back Light MTBF	25,000
Touch Screen	
Type	4-wire, Analog Resistive
Resolution	2048 x 2048
Light Transmission	> 80%
Lifetime	10,000 activations

# ONYX-MT70X

## Dimension

Unit: mm



## Ordering Information

- **TF-ONYX-MT70X-A1-1010**  
Fanless Medical Telecare Assistant, 7" 16:9 LCD, Atom™ Z530, TouchScreen, Normal Power Adapter
- **TF-ONYX-MT70X-A2-1010**  
Fanless Medical Telecare Assistant, 7" 16:9 LCD, Atom™ Z530, TouchScreen, Medical Power Adapter

## Optional Accessories

- TBD