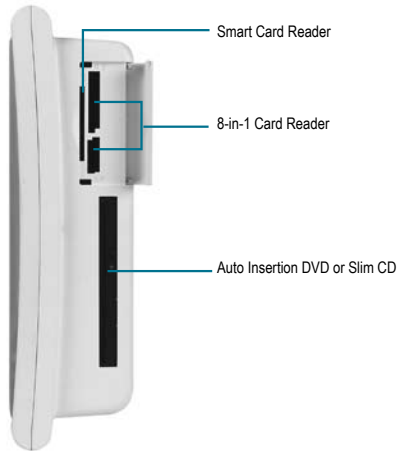


■ Medical Display Terminal, 17" LCD With Smart Interface



On Screen  
Display Control  
Pad



Smart Card Reader

8-in-1 Card Reader

Auto Insertion DVD or Slim CD

## Features

- 17" True Color High Contrast 300 Nits Medical LCD
- Integrated Security Smart Card Reader
- Telemedicine Solution
- Integrated Auto-Insertion DVD Solution
- Worldwide Medical Safety And EMC Certified



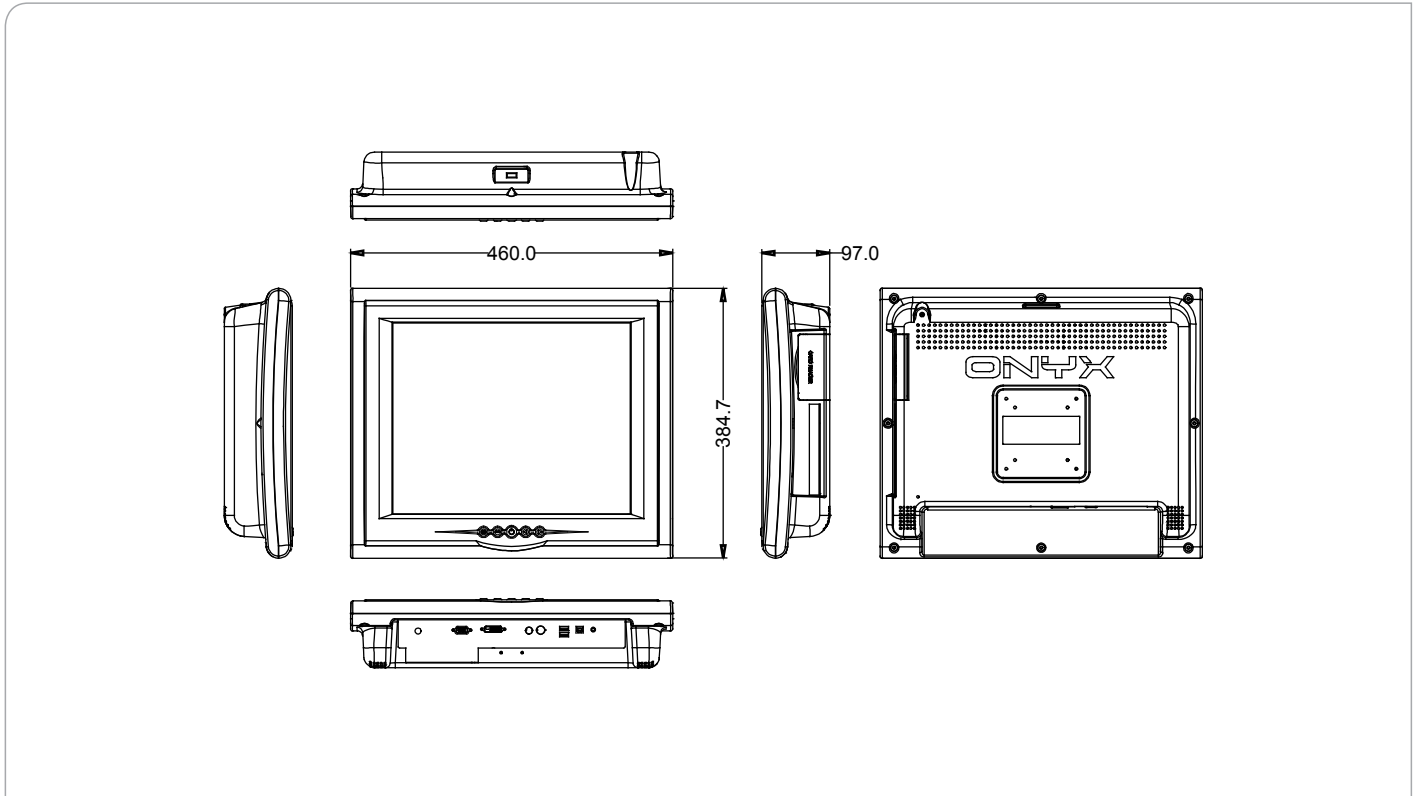
## Specifications

<b>System</b>	
OS Support	MS DOS, Windows® 2000, Windows® XP, Windows® 7
Storage Disk Drive	Slim DVD/CD x 1, 8-in-1 Card Reader x 1, Smart Card Reader x 1
<b>Display</b>	
Size	17"
Resolution	1280 x 1024
Max. Colors	16.7M
Luminance	380 nits
Contrast Ratio	1000:1
Viewing Angle	170°(H)/ 175°(V)
Back Light MTBF (Hours)	50,000
Touch Screen	5-wire Resistive/ 2048 x 2048 (optional)
<b>I/O</b>	
Audio	Line-in
USB	External x 3 and internal x 2 and Type B for PC x 1
Signal	VGA x 1, DVI x 1
Video	AV in x 1/ S-video in x 1 (optional)
Speaker	Speaker x 2 (2W)
<b>Mechanical and Environmental</b>	
Power Requirement	DC Model: 12 V DC
Operating Temperature	32°F ~ 104°F (0°C ~ 40°C)
Storage Temperature	-4°F ~ 140°F (-20°C ~ 60°C)
Storage Humidity	10% ~ 95% @35°C, non-condensing
Mounting	VESA 75/100
Gross Weight	18.04 lb (8.2 kg)
Net Weight	14.08 lb (6.4 kg)
EMC	CE/FCC Class B, UL 60601-1, EN 60601-1

# ONYX-217

## Dimension

Unit: mm



## Ordering Information

- **TF-ONYX-217HT-A1**  
Smart Medical Display, 17" 300 nits TFT, DC 12, Card Reader, Smart card Reader
- **TF-ONYX-217HT-A1**  
TF-ONYX-217HT-A1 w/Resistive TouchScreen
- **TF-ONYX-217HT-A2**  
Smart Medical Display, 17" 300 nits TFT, DC 12, Smart card Reader, S-Video
- **TF-ONYX-217HT-A2**  
TF-ONYX-217HT-A2 w/Resistive TouchScreen

## Optional Accessories

- **TF-PER-M00**  
Slim Auto Insertion DVD ROM, 8X, COMBO, White Color
- **TF-PER-M03**  
Slim Auto Insertion DVD-RW, White Color
- **PER-M19**  
3-level Trolley
- **PER-M20**  
Desktop Stand with VESA 75/100, Cool Gray 3C