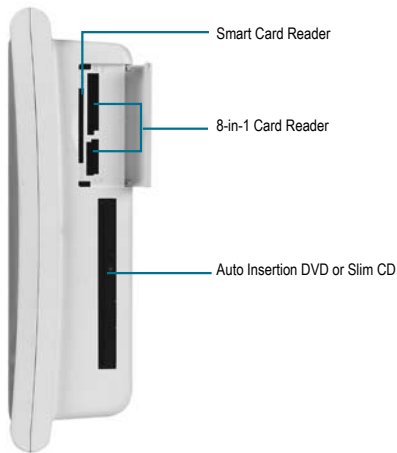


■ Medical Display Terminal, 15" LCD With Smart Interface



## Features

- 15" True Color High Contrast 550 Nits Medical LCD
- Integrated Security Smart Card Reader
- Telemedicine Solution
- Integrated Auto-Insertion DVD Solution
- Worldwide Medical Safety And EMC Certified



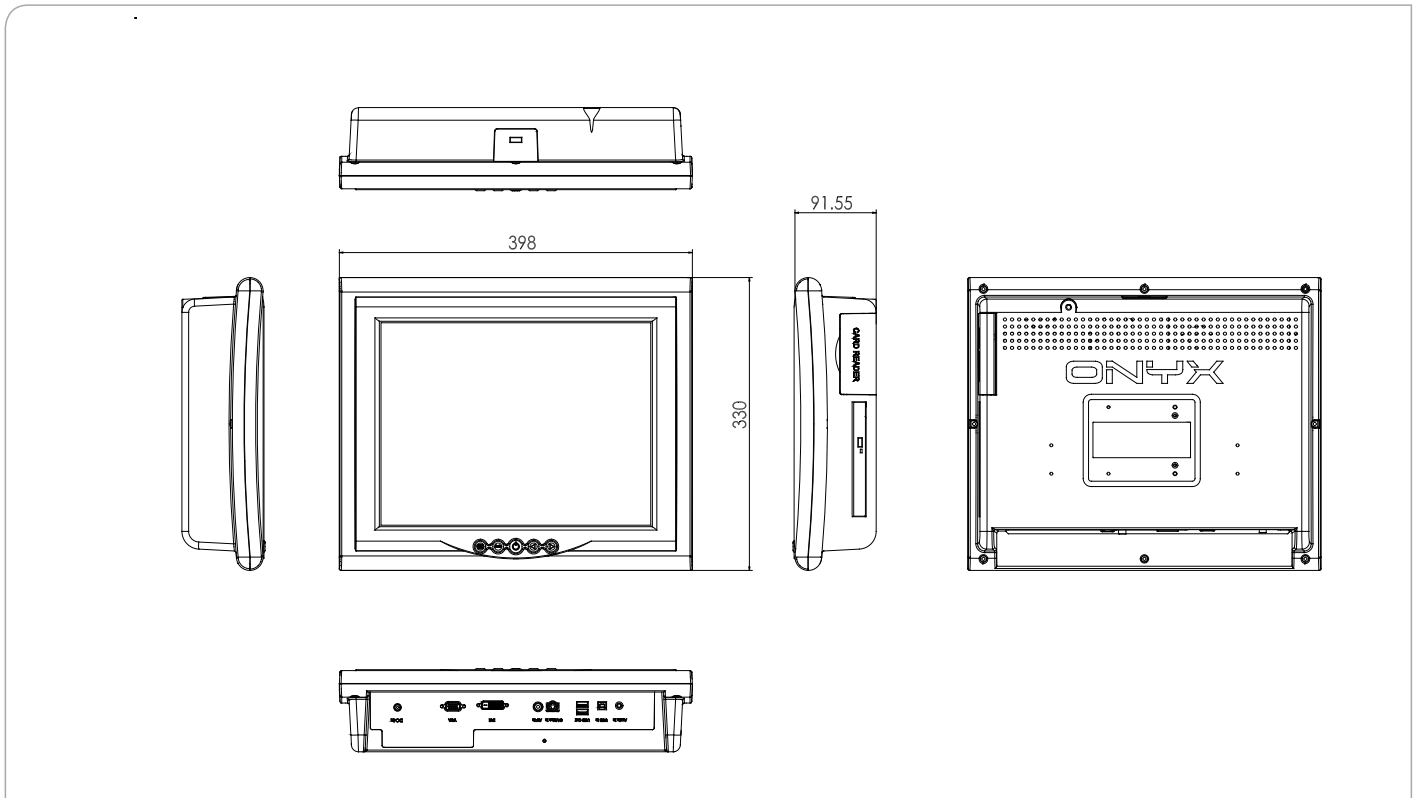
## Specifications

<b>System</b>	
OS Support	MS DOS, Windows® 2000, Windows® XP, Windows® 7
Storage Disk Drive	Slim DVD/CD x 1, 8-in-1 Card Reader x 1, Smart Card Reader x 1
<b>Display</b>	
Size	15"
Resolution	1024 x 768
Max. Colors	16.7M
Luminance	550 nits
Contrast Ratio	550:1
Viewing Angle	160° (H)/ 140° (V)
Back Light MTBF (Hours)	50,000
Touch Screen	5-wire Resistive/ 2048 x 2048 (optional)
<b>I/O</b>	
Audio	Line-in
USB	External x 3, internal x 2 and Type B for PC x 1
Signal	VGA x 1, DVI x 1
Video	AV in x 1/ S-video in x 1 (optional)
Speaker	Speaker x 2
<b>Mechanical and Environmental</b>	
Power Requirement	DC Model: 12 V DC
Operating Temperature	32°F ~ 104°F (0°C ~ 40°C)
Storage Temperature	-4°F ~ 140°F (-20°C ~ 60°C)
Storage Humidity	10% ~ 95% @35°C, non-condensing
Mounting	VESA 75
Gross Weight	14.08 lb (6.4 kg)
Net Weight	10.56 lb (4.8 kg)
EMC	CE/FCC Class B, UL 60601-1, EN 60601-1

# ONYX-215

## Dimension

Unit: mm



## Ordering Information

- **TF-ONYX-215HT-A1**  
Smart Medical Display, 15", 550 nits TFT, DC, Card Reader, Smart card Reader
- **TF-ONYX-215HTT-A1**  
TF-ONYX-215HT-A1 w/Resistive TouchScreen
- **TF-ONYX-215HT-A2**  
Smart Medical Display, 15", 550 nits TFT, DC, Card Reader, Smart card Reader, S-video
- **TF-ONYX-215HTT-A2**  
TF-ONYX-215HT-A2 w/Resistive TouchScreen

## Optional Accessories

- **TF-PER-M00**  
Slim Auto Insertion DVD ROM, 8X, COMBO, White Color
- **TF-PER-M03**  
Slim Auto Insertion DVD-RW, White Color
- **PER-M18**  
Desktop Stand with VESA 100, Cool Gray 1C
- **PER-M19**  
3-level Trolley