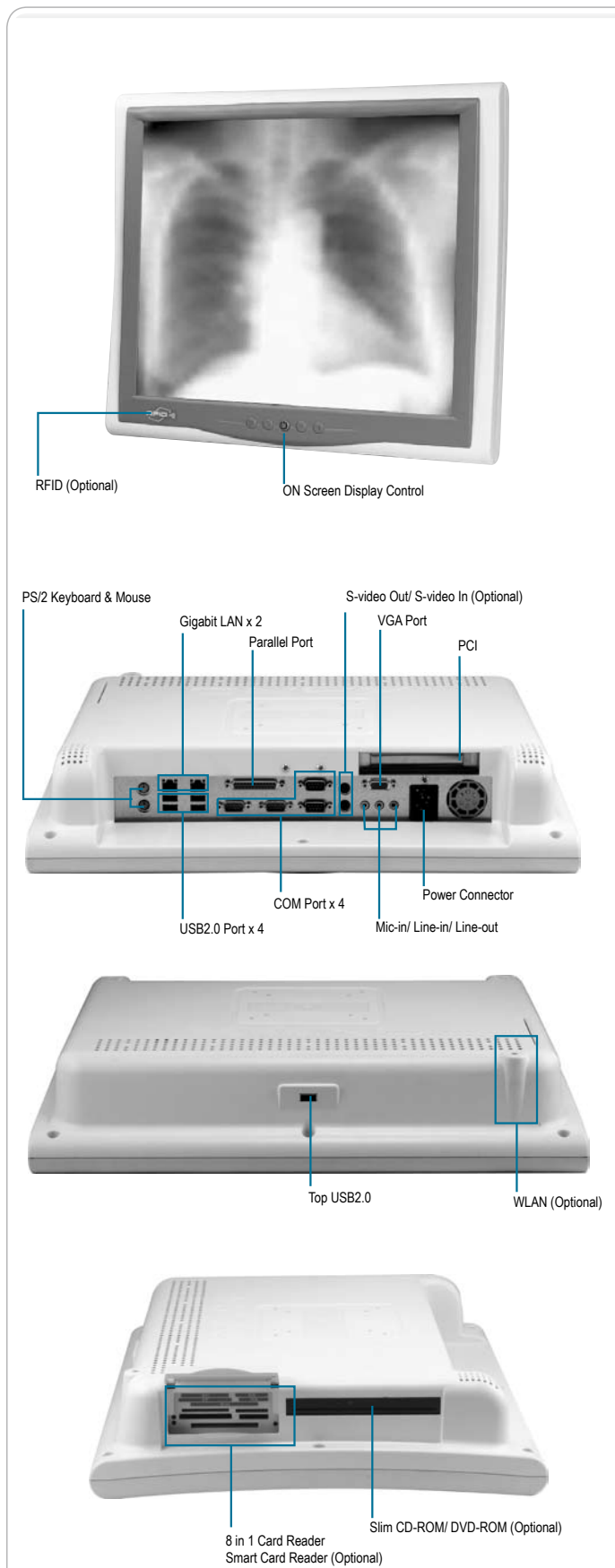


# ONYX-195X

■ Diagnostic Medical Station, 19" LCD With Intel® Core™ 2 Duo Processor And Graphic Accelerator



## Features

- MXM Graphic Accelerator
- 19" True Color Diagnostic Medical PC
- High Performance Intel® Core™ 2 Duo Processor
- Built-In Security RFID And Smart Card Reader (Optional)
- Supports PCI Expansion
- 802.11a/b/g/n And Bluetooth Wireless Solution (Optional)
- UL60601-1, EN60601-1 Certified



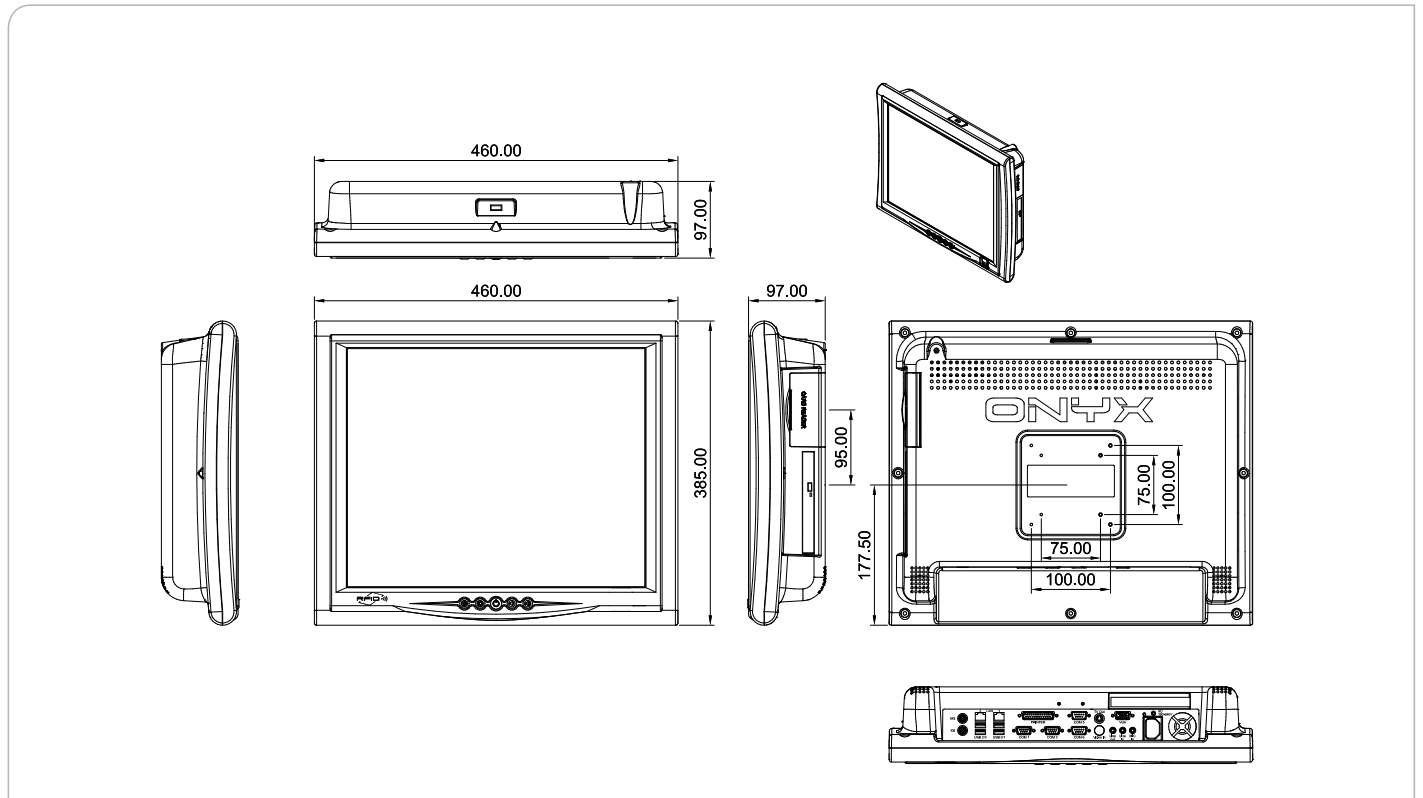
## Specifications

Main Specifications	
Processor	Intel® Core™ 2 Duo/ Core™ Duo Processors
LCD controller	Intel® 945GM+ E2400 MXM module
System Memory	DDRII SODIMM support DDRII 400/533 up to 2 GB
OS Support	Windows® 2000, Windows® XP, Windows® 7
Expansion	PCI x 1, Mini-PCI x 1, Mini Card x 1
Drive Bay	Slim DVD/CD x 1 (Optional), 2.5" Hard Disk Drive x 1 (SATA optional), 8 in 1 Card Reader x 1, Smart Card Reader x 1 (Optional)
Display	
Size	19"
Resolution	1280 x 1024
Max. Colors	16.7M
Luminance	300 nits
View Angle	178° (H)/178° (V)
Contrast Ratio	2000:1
Back Light MTBF (Hours)	50,000
Touch Screen	5-wire Resistive/ 2048 x 2048
I/O	
Audio	Mic-in, Line-in, Line-out
USB	External x 5, Internal x 3
Serial port	RS-232 x 3, RS-232/422/485 x 1
Ethernet	Gigabit Ethernet x 2 (Isolation)
Parallel port	Printer x 1
Keyboard & Mouse	PS/2 keyboard x 1, PS/2 mouse x 1
Video	S-video out x 1/ S-video in x 1 (Optional)
Speaker	Speaker x 2
Mechanical and Environmental	
Power Requirement	100/240V AC
Operating Temperature	32°F ~ 104°F (0°C ~ 40°C)
Storage Temperature	-4°F ~ 140°F (-20°C ~ 60°C)
Mounting	VESA 75/100
Gross Weight	22.22 lb (10.1 Kg)
Net Weight	18.92 lb (8.6 Kg)
EMC	CE/FCC Class B, UL60601-1, EN60601-1

# ONYX-195X

## Dimension

Unit: mm



## Ordering Information

- **TF-ONYX-195XT-A1-1010**  
Expert Medical Station, Duo Core™ 2.0 GHz T7200 CPU, 19" True Color LCD, MXM
- **TF-ONYX-195XTT-A1-1010**  
Expert Medical Station, Duo Core™ 2.0 GHz T5500 CPU, 19" True Color LCD, MXM, R-TS
- **TF-ONYX-195XT-A2-1010**  
Expert Medical Station, Duo Core™ 1.83 GHz T7200 CPU, 19" True Color LCD, MXM
- **ONYX-195XTT-A2-1010**  
Expert Medical Station, Duo Core™ 1.83 GHz T5500 CPU, 19" True Color LCD, MXM, R-TS
- **TF-ONYX-195XT-F1-1010**  
TF-ONYX-195XT-A1-1010 with RFID
- **TF-ONYX-195XTT-F1-1010**  
TF-ONYX-195XTT-A1-1010 with RFID
- **TF-ONYX-195XT-F2-1010**  
TF-ONYX-195XT-A2-1010 with RFID
- **TF-ONYX-195XTT-F2-1010**  
TF-ONYX-195XTT-A2-1010 with RFID

## Optional Accessories

- **DDRII SODIMM Supports DDRII 400/533/667**
- **TF-PER-M21**  
Smart Card Reader Kit
- **TF-PER-M00**  
Slim Auto Insertion DVD ROM, 8X, COMBO, White Color
- **TF-PER-M03**  
Slim Auto Insertion DVD-RW, White Color
- **TF-PER-M02**  
PCI TV Tuner, Capture Card
- **TF-PER-M08**  
Barcode Scanner, 500 Scans Per Second
- **TF-PER-M04**  
USB Skype Phone
- **TF-PER-M01**  
Bluetooth 2.0 + EDR USB Module
- **TF-PER-M17**  
USB Finger Printer
- **PER-M20**  
Desktop Stand with VESA75/100, Cool Gray 3C
- **PER-M19**  
3-level Trolley
- **AP-LN9686Q80200**  
WLAN Kit, IEEE 802.11 a/b/g/n