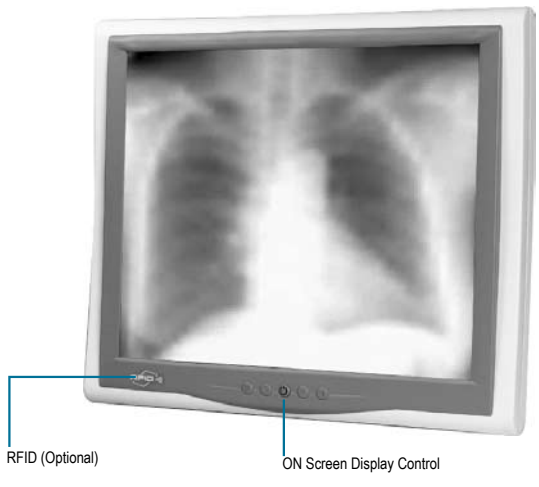


ONYX-195U

Fanless Medical Station 19" 300 nits LCD with Intel® Core™ 2 Duo Processor

5

ONYX Series - Medical Station Solutions - Expert Medical Stations



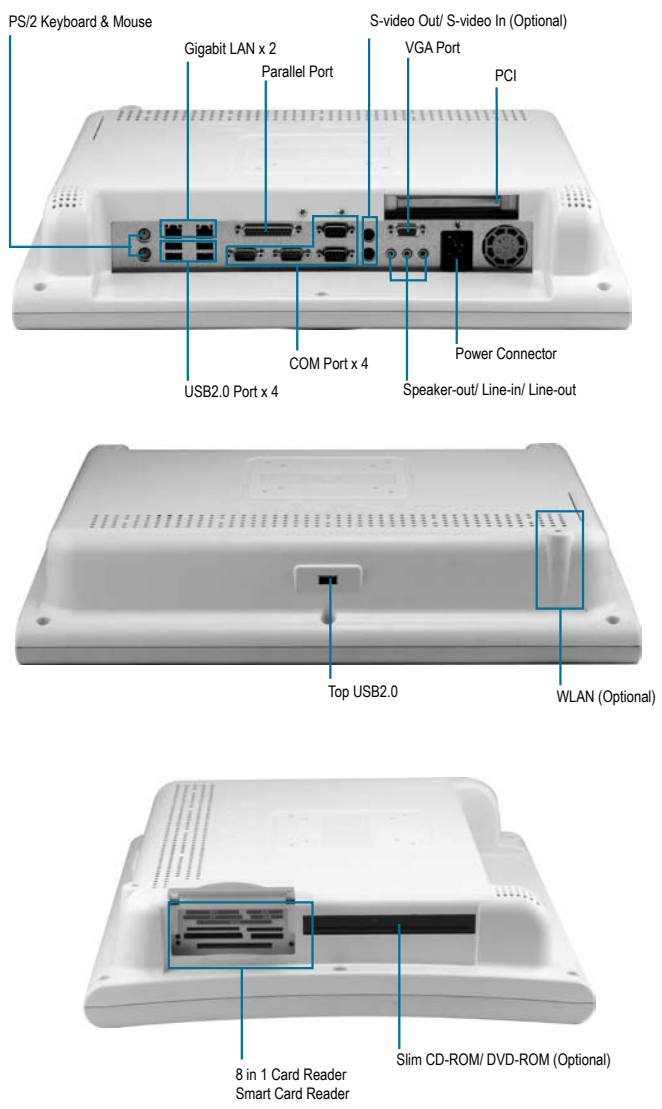
Features

- 19" True Color Diagnostic Medical PC
- High Performance Intel® Core™ 2 Duo Processor
- Fanless
- Built-in RFID Security (Optional)
- PCI Expansion
- Mini PCI Capture Card Supports Non-DICOM to DICOM CAM (Optional)
- WLAN and Bluetooth Wireless Solution



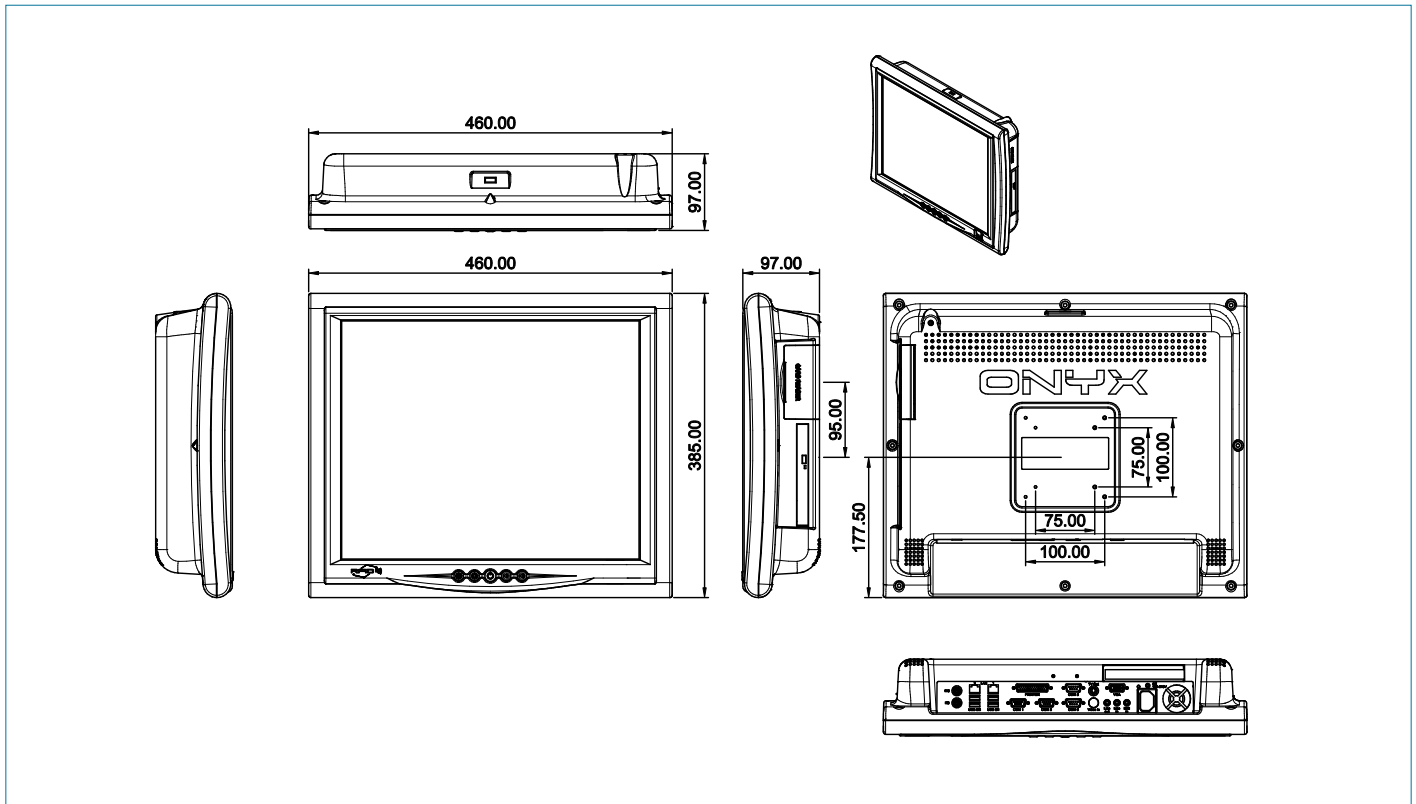
Specifications

Main Specifications	
Processor	Intel® Core™ 2 Duo U7500 1.06GHz/ L7400 1.5GHz Processors
System Memory	DDRII SODIMM support DDRII 400/533 up to 2GB
OS Support	Windows® 2000, Windows® XP
Expansion	PCI x 1, Mini PCI x 1
Storage Disk Drive	Slim DVD/CD x 1 (Optional), 2.5" SATA Hard Disk Drive x 1, 8 in 1 Card Reader x 1, Smart Card Reader x 1 (Optional)
LCD controller	Intel® 945GME
Display	
Size	19"
Resolution	1280 x 1024
Max. Colors	16.7M
Luminance	300 nits
Contrast Ratio	550:1
View Angle	140°(H)/135°(V)
Back Light MTBF	50,000
Touch Screen	Resistive / 2048x2048
I/O	
Audio	Mic-in, Line-in, Line-out
USB	External x 5, Internal x 3
Serial port	RS-232 x 3, RS-232/422/485 x 1
Ethernet	Isolated Gigabit LAN x 2
Parallel port	Printer Port x 1
Keyboard & Mouse	PS/2 keyboard x 1, PS/2 mouse x 1
Video	S-video out x 1/ S-video in x 1 (Optional)
Speaker	Speaker x 2
Mechanical and Environmental	
Power Requirement	15V~30V DC
Operating Temperature	32°F ~ 104°F (0°C ~ 40°C)
Storage Temperature	-4°F ~ 140°F (-20°C ~ 60°C)
Mounting	VESA 75/100
Gross Weight	22 lb (10 kg)
Net Weight	18.7 lb (8.5 kg)
EMC	CE/FCC Class B, UL60601-1, EN60601-1



ONYX-195U

Dimension Unit: mm



Ordering Information

- **TF-ONYX-195DT-U1-1010**
Fanless C2D Medical PC, U7500 1.06GHz, 19", 1P, DC, Card Reader
- **TF-ONYX-195DTT-U1-1010**
Fanless C2D Medical PC, U7500 1.06GHz, 19", 1P, DC, R-TS, Card Reader
- **TF-ONYX-195DT-U2-1010**
Fanless C2D Medical PC, L7400 1.5GHz, 19", 1P, DC, Card Reader
- **TF-ONYX-195DTT-U2-1010**
Fanless C2D Medical PC, L7400 1.5GHz, 19", 1P, DC, R-TS, Card Reader

Optional Accessories

- **DDRII SODIMM Supports DDRII 400/533/667**
- **TF-PER-M21**
Smart Card Reader Kit
- **TF-PER-M00**
Slim Auto Insertion DVD ROM, 8X, COMBO, White Color
- **TF-PER-M03**
Slim Auto Insertion DVD-RW, White Color
- **TF-PER-M29**
Mini PCI Capture Card
- **TF-PER-M02**
PCI TV Tuner, Capture Card
- **TF-PER-M08**
Barcode Scanner, 500 Scans Per Second
- **TF-PER-M01**
Bluetooth 2.0 + EDR USB Module
- **TF-PER-M17**
USB Finger Printer
- **9741666646**
Wireless LAN Kit
- **PER-M20**
Desktop Stand with VESA75/100, Cool Gray 3C
- **PER-M19**
3-level Trolley