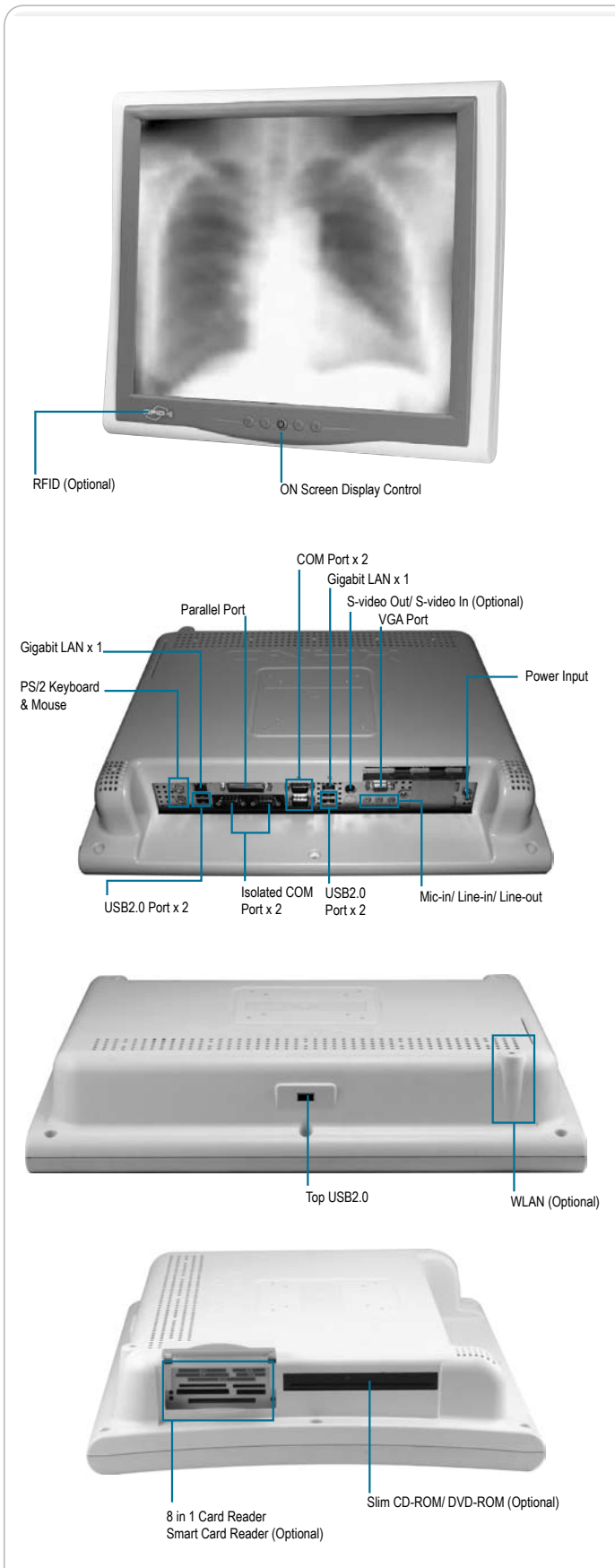


■ Expert Medical Station, 19" LCD With Intel® Core™ 2 Duo Processor And COM Isolation



## Features

- 19" True Color Diagnostic Medical PC
- High Performance Intel® Core™ 2 Duo Processor
- 4400 mAh Battery Backup (Optional)
- Isolation COM x 2
- Built-In Security RFID (Optional)
- Supports PCI Expansion
- Mini-PCI Capture Card Supports Non-DICOM To DICOM CAM (Optional)
- 802.11a/b/g/n And Bluetooth Wireless Solution (Optional)



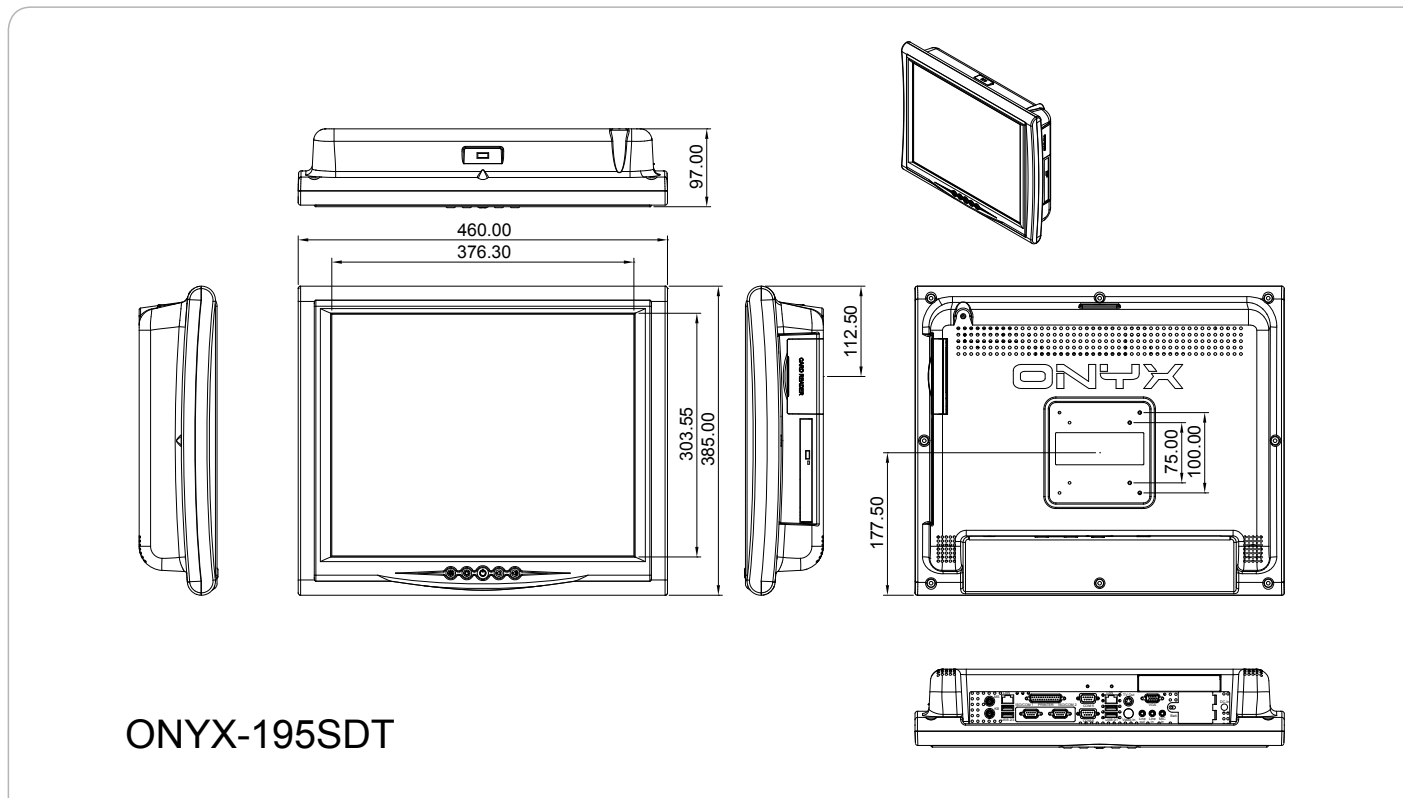
## Specifications

Main Specifications	
Processor	Intel® Core™ 2 Duo Processor (up to 2.16 GHz)
System Memory	DDRII SODIMM supports DDRII 400/533/667 up to 2 GB
OS Support	Windows® 2000, Windows® XP, Windows® 7
Expansion	PCI x 1, Mini-PCI x 1, Mini Card x 1
Storage Disk Drive	Slim DVD/CD x 1 (optional), 2.5" SATA Hard Disk Drive x 1 (optional), 8-in-1 Card Reader x 1, Smart Card Reader x 1 (optional)
Display	
Size	19"
Resolution	1280 x 1024
Max. Colors	16.7M
Luminance	300 nits
View Angle	178°(H)/178°(V)
Contrast Ratio	2000 : 1
Back Light MTBF (Hours)	50,000
Touch Screen	5-wire Resistive/ 2048 x 2048
I/O	
Audio	MIC-in, Line-in, Line-out
USB	External x 5, Internal x 3
Serial port	Isolated RS-232 x 2, RS-232 x 2
Ethernet	Isolated Gigabit x 2
Parallel port	Printer port x 1
Keyboard & Mouse	PS/2 keyboard x 1, PS/2 mouse x 1
Video	S-video out x 1/ S-video in x 1 (optional)
Speaker	Speaker x 2 (2W)
Mechanical and Environmental	
Power Requirement	DC 15V~24V (Battery Version) 100/240V AC
Operating Temperature	32°F ~ 104°F (0°C ~ 40°C)
Storage Temperature	-4°F ~ 140°F (-20°C ~ 60°C)
Mounting	VESA 75/100
Gross Weight	10.5 kg
Net Weight	9 kg
EMC	CE/FCC Class B, UL 60601-1, EN 60601-1

# ONYX-195S

## Dimension

Unit: mm



## Ordering Information

- **TF-ONYX-195ST-A1-1010**  
Super Medical Station, Core™ 2 Duo 2.0 GHz (T7200) CPU, 19" True Color LCD, 2 COM Isolation
- **TF-ONYX-195STT-A1-1010**  
TF-ONYX-195ST-A1-1010 W/Resistive Touch Screen
- **TF-ONYX-195ST-A2-1010**  
Super Medical Station, Core™ 2 Duo 1.66 GHz (T5500) CPU, 19" True Color LCD, 2 COM Isolation
- **TF-ONYX-195STT-A2-1010**  
TF-ONYX-195ST-A2-1010 W/Resistive Touch Screen
- **TF-ONYX-195ST-F1-1010**  
TF-ONYX-195ST-A1-1010 with RFID
- **TF-ONYX-195STT-F1-1010**  
TF-ONYX-195STT-A-1010 with RFID
- **TF-ONYX-195ST-F2-1010**  
TF-ONYX-195ST-A2-1010 with RFID
- **TF-ONYX-195STT-F2-1010**  
TF-ONYX-195STT-A2-1010 with RFID
- **TF-ONYX-195SDT-C1-1010**  
Expert MED Station, C2D 2.0 GHz (T7200) CPU, 19", 2 COM Isolation, Battery Backup

## Optional Accessories

- **DDRII SODIMM Supports DDRII 400/533/667**
- **TF-PER-M21**  
Smart Card Reader Kit
- **TF-PER-M00**  
Slim Auto Insertion DVD ROM, 8X, COMBO, White Color
- **TF-PER-M03**  
Slim Auto Insertion DVD-RW, White Color
- **TF-PER-M29**  
Mini-PCI Capture Card
- **TF-PER-M02**  
PCI TV tuner, Capture Card
- **TF-PER-M08**  
Barcode Scanner, 500 Scans Per Second
- **TF-PER-M04**  
USB Skype Phone
- **TF-PER-M01**  
Bluetooth 2.0 + EDR USB Module
- **TF-PER-M17**  
USB Finger Printer
- **9741666646**  
Wireless LAN Kit
- **PER-M20**  
Desktop Stand with VESA 75/100, Cool Gray 3C
- **PER-M19**  
3-level Trolley
- **AP-LN9686Q80200**  
WLAN Kit, IEEE 802.11 a/b/g/n