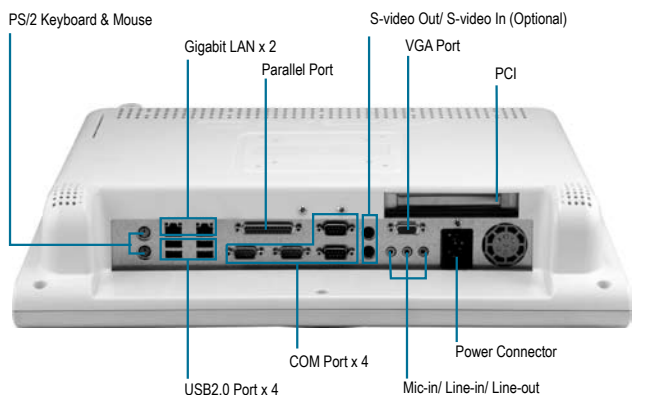


■ Expert Medical Station, 19" LCD With Intel® Core™ 2 Duo Processor



RFID (Optional)

ON Screen Display Control



PS/2 Keyboard & Mouse

Gigabit LAN x 2

Parallel Port

S-video Out/ S-video In (Optional)

VGA Port

PCI

USB2.0 Port x 4

COM Port x 4

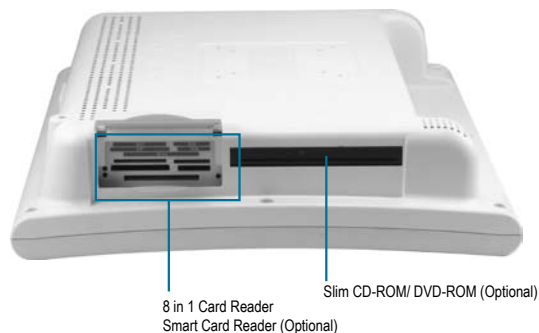
Mic-in/ Line-in/ Line-out

Power Connector



Top USB2.0

WLAN (Optional)



8 in 1 Card Reader
Smart Card Reader (Optional)

Slim CD-ROM/ DVD-ROM (Optional)

Features

- 19" True Color Diagnostic Medical PC
- High Performance Intel® Core™ 2 Duo Processor
- Built-In Security RFID And Smart Card (Optional)
- Supports PCI Expansion
- Mini-PCI Capture Card Supports Non-DICOM To DICOM CAM (Optional)
- 802.11a/b/g/n And Bluetooth Wireless Solution (Optional)



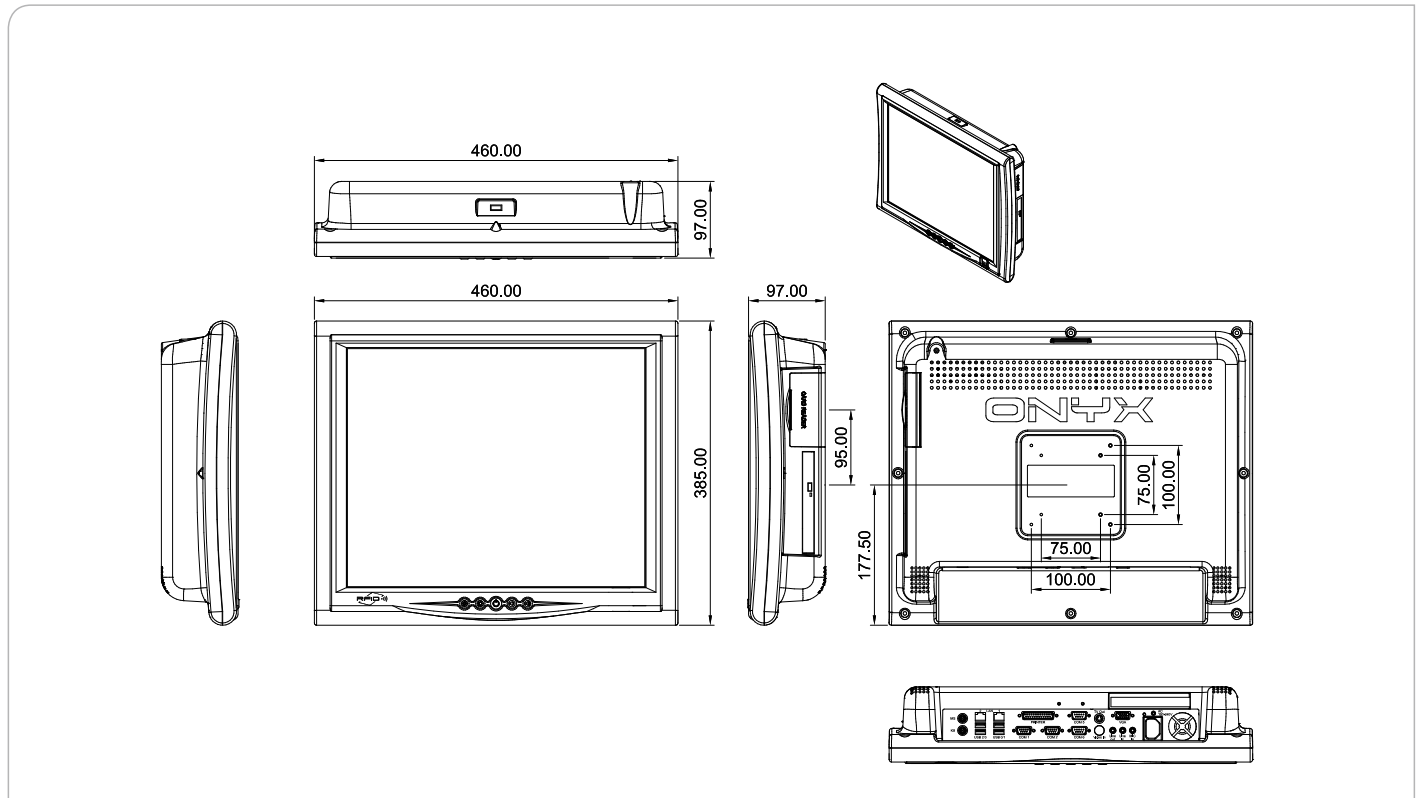
Specifications

Main Specifications	
Processor	Intel® Core™ 2 Duo Processor (up to 2.16 GHz)
System Memory	DDRII SODIMM supports DDRII 400/533/667 up to 2 GB
OS Support	Windows® 2000, Windows® XP, Windows® 7
Expansion	PCI x 1, Mini-PCI x 1, Mini Card x 1
Storage Disk Drive	Slim DVD/CD x 1 (optional), 2.5" SATA Hard Disk Drive x 1 (optional), 8-in-1 Card Reader x 1, Smart Card Reader x 1 (optional)
Display	
Size	19"
Resolution	1280 x 1024
Max. Colors	16.7M
Luminance	300 nits
Contrast Ratio	2000:1
View Angle	178°(H)/178°(V)
Back Light MTBF (Hours)	50,000
Touch Screen	5-wire Resistive/ 2048 x 2048
I/O	
Audio	MIC-in, Line-in, Line-out
USB	External x 5, Internal x 3
Serial port	RS-232 x 3, RS-232/422/485 x 1
Ethernet	Isolated Gigabit LAN x 2
Parallel port	Printer port x 1
Keyboard & Mouse	PS/2 keyboard x 1, PS/2 mouse x 1
Video	S-video out x 1/ S-video in x 1 (optional)
Speaker	Speaker x 2 (2W)
Mechanical and Environmental	
Power Requirement	100/240V AC
Operating Temperature	32°F ~ 104°F (0°C ~ 40°C)
Storage Temperature	-4°F ~ 140°F (-20°C ~ 60°C)
Mounting	VESA 75/100
Gross Weight	22 lb (10 kg)
Net Weight	18.7 lb (8.5kg)
EMC	CE/FCC Class B, UL 60601-1, EN 60601-1

ONYX-195

Dimension

Unit: mm



Ordering Information

- **TF-ONYX-195HT-A1-1010**
Expert Medical Station, Core™ 2 Duo 2.0 GHz (T7200) CPU, 19" True Color LCD
- **TF-ONYX-195HTT-A1-1010**
TF-ONYX-195HT-A1-1010 with R-TS
- **TF-ONYX-195HT-A2-1010**
Expert Medical Station, Core™ 2 Duo 1.66 GHz (T5500) CPU, 19" True Color LCD
- **TF-ONYX-195HTT-A2-1010**
TF-ONYX-195HT-A2-1010 with R-TS
- **TF-ONYX-195HT-F1-1010**
Expert Medical Station, Core™ 2 Duo 2.0 GHz (T7200) CPU with RFID
- **TF-ONYX-195HTT-F1-1010**
TF-ONYX-195HT-F1-1010 with R-TS
- **TF-ONYX-195HT-F2-1010**
Expert Medical Station, Core™ 2 Duo 1.66 GHz (T5500) CPU with RFID
- **TF-ONYX-195HTT-F2-1010**
TF-ONYX-195HT-F2-1010 with R-TS

Optional Accessories

- **DDRII SODIMM Supports DDRII 400/533/667**
- **TF-PER-M21**
Smart Card Reader Kit
- **TF-PER-M00**
Slim Auto Insertion DVD ROM, 8X, COMBO, White Color
- **TF-PER-M03**
Slim Auto Insertion DVD-RW, White Color
- **TF-PER-M29**
Mini-PCI Capture Card
- **TF-PER-M02**
PCI TV tuner, Capture Card
- **TF-PER-M08**
Barcode Scanner, 500 Scans Per Second
- **TF-PER-M04**
USB Skype Phone
- **TF-PER-M01**
Bluetooth 2.0 + EDR USB Module
- **TF-PER-M17**
USB Finger Printer
- **9741666646**
Wireless LAN Kit
- **PER-M20**
Desktop Stand with VESA 75/100, Cool Gray 3C
- **PER-M19**
3-level Trolley
- **AP-LN9686Q80200**
WLAN Kit, IEEE 802.11 a/b/g/n