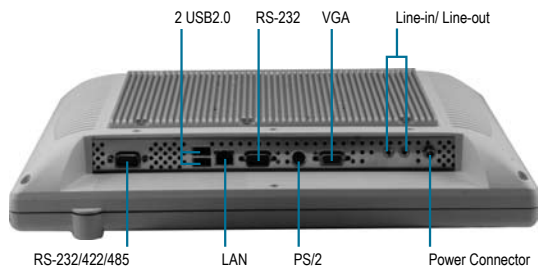
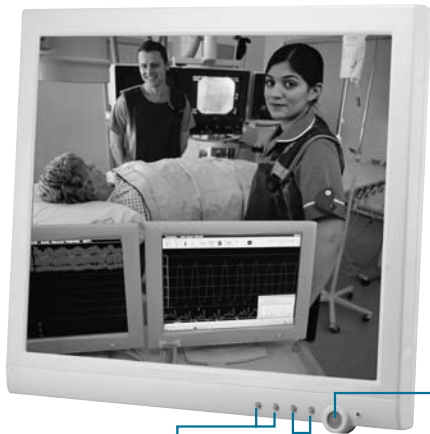


■ Slim Medical Panel PC, 17" 1000:1 Contrast And Wide View Angle LCD With Intel® Core™ 2 Duo ULV Processor



Features

- 17" SXGA Color TFT LCD Display
- Easy To Use, Compact, Simple Design
- Fanless, Zero Noise
- 1000 : 1 Contrast Wide View Angle For X-Ray Film
- Intel® Core™ 2 Duo ULV Processor
- USB/COM Port Isolation (Optional)
- Resistive Touchscreen (Optional)
- 802.11a/b/g/n Wireless Antenna (Optional)
- Weight: 5.6 Kg, Thickness: 69mm



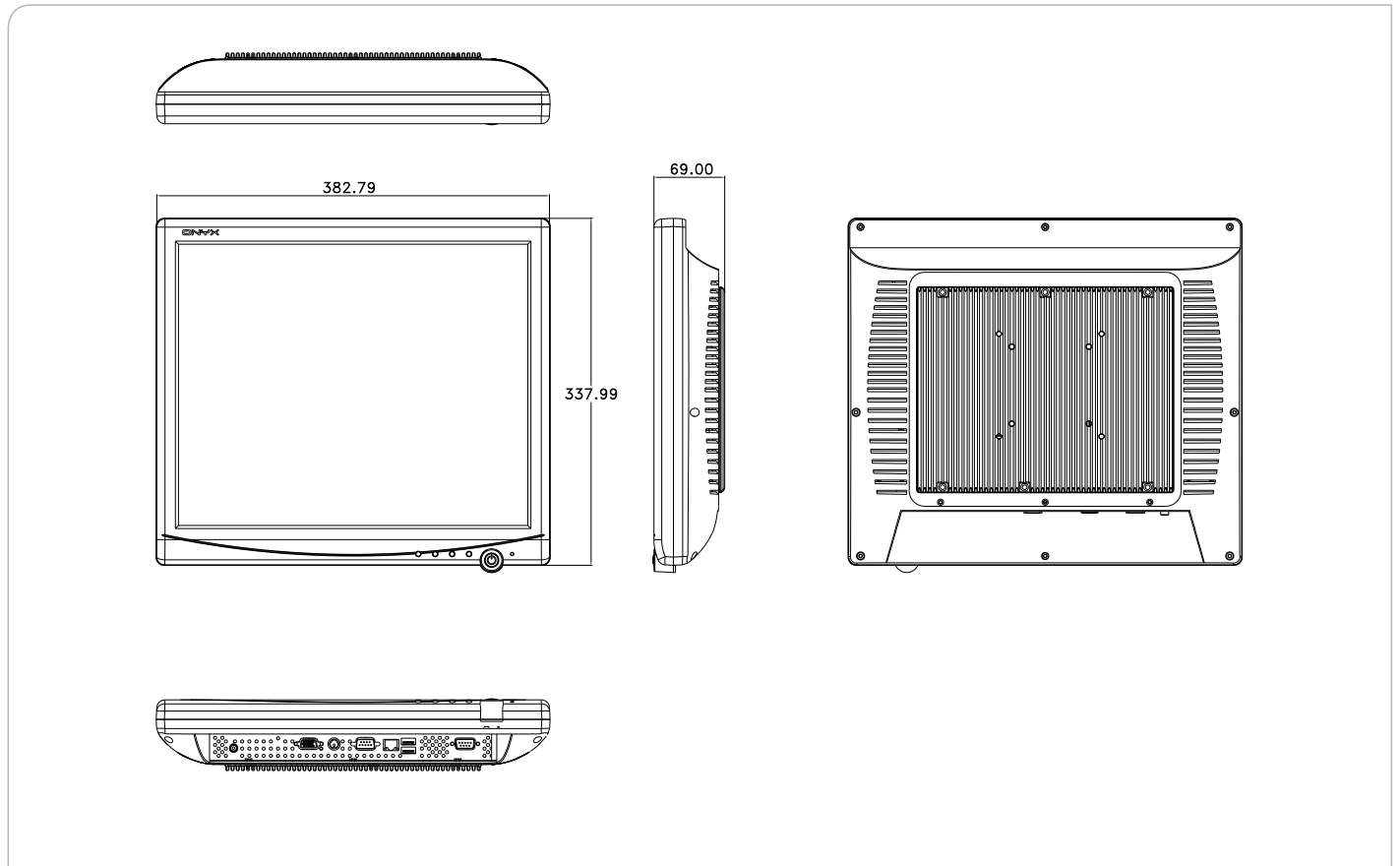
Specifications

Main System	
Processor	Intel® Core™ 2 Duo ULV 1.06 GHz (U7500)
System Memory	Up to 2 GB
OS Support	Windows® XP, Windows® 7
Expansion	Mini-PCI x 1
Storage Disk Drive	2.5" Hard Disk Drive x 1 (SATA)
Display	
Size	17"
Resolution	1280 x 1024
Max. Colors	16.7M
Luminance	380 nits
View Angle	170°(H)/170°(V)
Contrast Ratio	1000 : 1
Back Light MTBF (Hours)	50,000
Touch Screen	5-wire Resistive/ 2048 x 2048, 35 million activities
I/O	
Audio	AC97
USB	USB2.0 x 2 USB Isolation x 1 (Optional)
Serial Port	RS-232 x 1, RS-232/422/485 x 1 USB & COM Isolation x 1 (Optional)
Ethernet	Gigabit Ethernet x 1
Parallel Port	—
Keyboard & Mouse	PS/2 keyboard/mouse x 1
Video	Intel® 945GME
Speaker	2W x 2
Mechanical and Environmental	
Power Requirement	DC 9 ~ 30V
Operating Temperature	32°F ~ 104°F (0°C ~ 40°C)
Storage Temperature	-4°F ~ 140°F (-20°C ~ 60°C)
Mounting	VESA 75/100
Gross Weight	15.62 lb (7.1 kg)
Net Weight	12.32 lb (5.6 kg)
EMC	CE/FCC Class B, UL 60601-1, EN 60601-1

ONYX-1722

Dimension

Unit: mm



Ordering Information

- **TF-ONYX-1722DT-A1-1010**
Slim Medical Panel PC, Core™ 2 Duo ULV 1.06 GHz (U7500), 17" LCD, DC 9-30V
- **TF-ONYX-1722DTT-A1-1010**
Slim Medical Panel PC, Core™ 2 Duo ULV 1.06 GHz (U7500), 17" LCD, DC 9-30V, R-TS

Optional Accessories

- **TF-PER-M04**
USB Skype Phone
- **TF-PER-M17**
USB Finger Printer
- **9741666646**
Wireless LAN Kit
- **PER-M18**
Desktop Stand with VESA100, Cool Gray 1C
- **PER-M19**
3-level Trolley
- **TF-PER-M42**
Medical Adapter, 120W, 24V
- **TF-PER-M39**
Medical Grade Power Cord, 3P, for USA
- **AP-LN9686Q80200**
WLAN Kit, IEEE 802.11 a/b/g/n