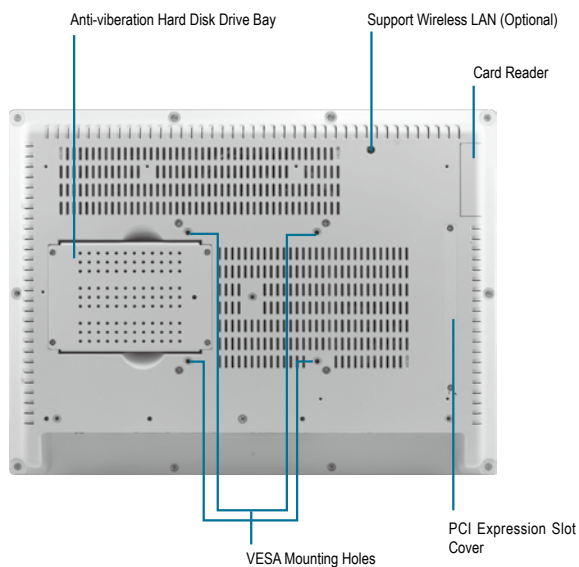
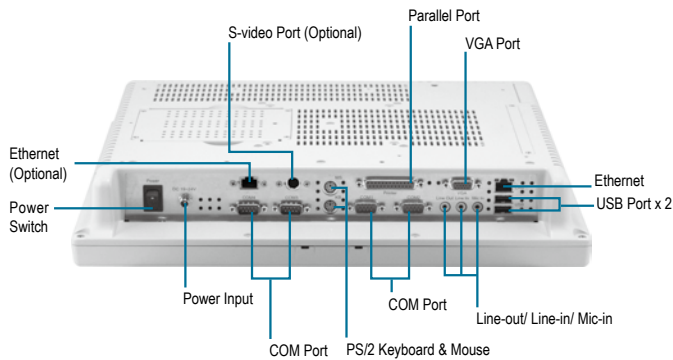


■ Fanless Medical Station, 15" LCD With Celeron® M Processor



IP-65 Certified Front Panel with TouchScreen



## Features

- Slim And Fanless Medical Station For Bedside Market
- 15" XGA Color TFT LCD Display
- 550 Nits High Brightness For Medical Image
- Mini-PCI Capture Card Supports Non-DICOM To DICOM Image (Optional)
- Barcode Scanner/ RFID/ Finger Printer Extension (Optional)
- Latex-Free And Medical Style
- 2<sup>nd</sup> 10/100Base-TX Or Gigabit Ethernet (Optional)
- 802.11a/b/g/n Wireless Antenna (Optional)



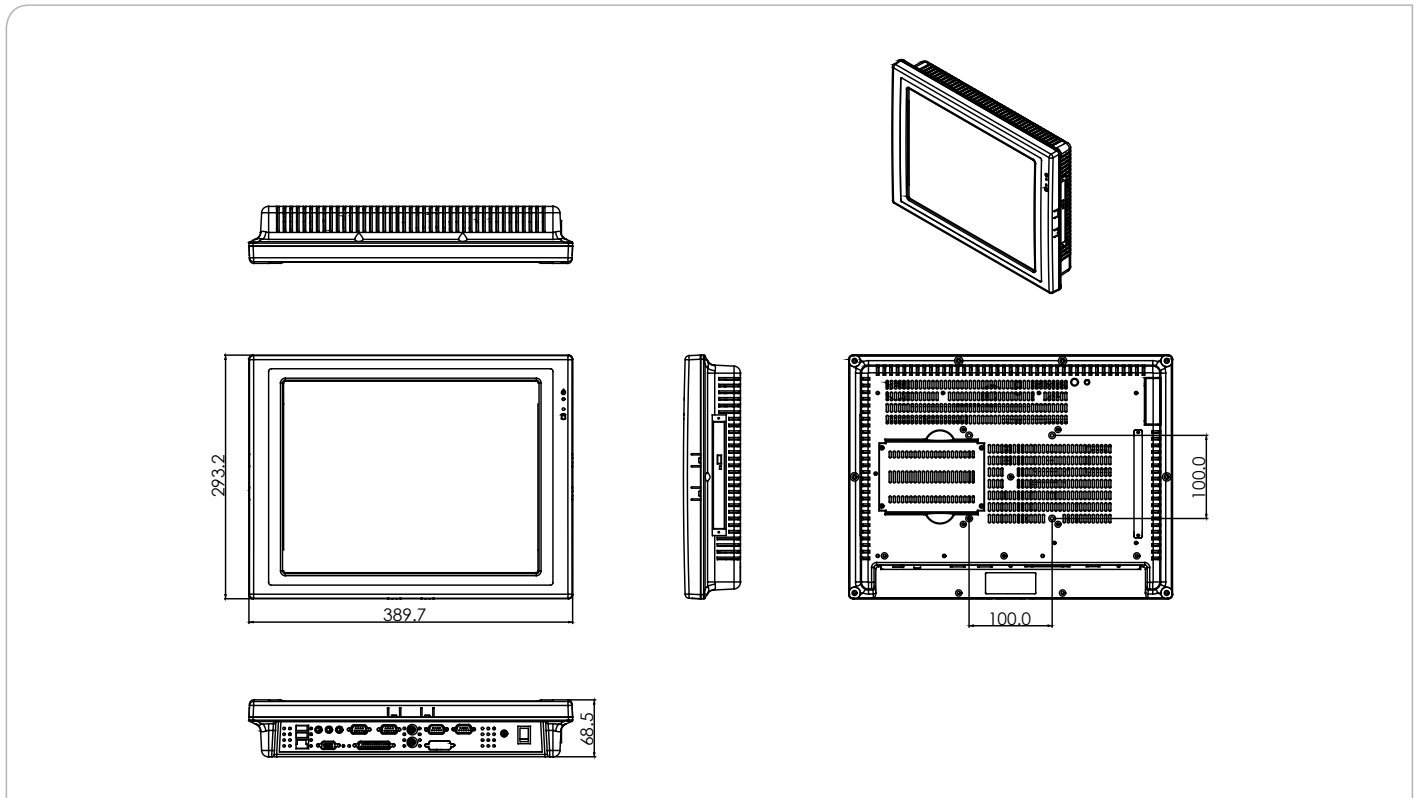
## Specifications

Main Specifications	
Processor	Intel® Celeron® M 600 MHz Processor
Memory	Onboard 256 MB, supports up to 1 GB 184-pin DDR SDRAM
LCD/CRT Controller	Intel® 852GM, Shared memory up to 64 MB with DVMT
OS Support	Windows® 2000, Windows® XP, Windows® XP Embedded (optional), Windows® 7
Expansion Interface	PCI x 1, Mini-PCI x 1, Mini Card x 1
Storage Disk Drive	Anti-vibration 2.5" Hard Disk Drive (optional) Slim CD-ROM/ Combo/ DVD-ROM (optional) 6 in 1 Card Reader
Display	
Size	15" True Color LCD
Resolution	1024 x 768
Max. Colors	16.7M
Luminance	550 nits
Viewing Angle	160°(H)/ 140°(V)
Contrast Ratio	500:1
Back Light MTBF (Hours)	50,000
Touch Screen	
Type	5-wire Resistive
Resolution	2048 x 2048
Light Transmission	80%
Lifetime	36 million activations
I/O	
Audio	MIC-in, Line-in, Line-out
USB	USB2.0 x 2
Serial port	RS-232 x 3, RS-232/422/485 x 1
Parallel port	Parallel Port x 1 (supports ECP/EPP)
Keyboard & Mouse	PS/2 Keyboard x 1, PS/2 Mouse x 1
Video	VGA port x 1

# ONYX-150

## Dimension

Unit: mm



Mechanical and Environmental	
Construction	Plastic Chassis, Front Panel IP-65 certified
Mounting	VESA 100
Dimension	16" (W) x 12.2" (H) x 2.6" (D) (407mm x 310.5mm x 65mm)
Carton Dimension	20.67" (W) x 18.31" (H) x 9.1" (D) (525mm x 465mm x 230mm)
Net Weight	11 lb (5 kg)
Gross Weight	13.2 lb (6 kg)
Power Requirement	15-24V DC
Operating Temperature	32°F ~ 104°F (0°C ~ 40°C)
Storage Temperature	-4°F ~ 140°F (-20°C ~ 60°C)
Storage Humidity	10% ~ 95% @35°C, non-condensing
Vibration	Random operation 1 G, 5~500Hz
Shock	15G peak acceleration (11 msec. Duration)
EMC	CE/FCC Class B, UL 60601-1, EN 60601-1

## Ordering Information

- **TF-ONYX-150DT-A1-1111**  
Fanless Medical Station, Celeron® M 600 MHz, 15" 550nits TFT, DC, 256 MB RAM
- **TF-ONYX-150DTT-A1-1111**  
TF-ONYX-150DT-A1-1111 with R-TS

## Optional Accessories

- **184-pin DDR SDRAM**
- **TF-PER-M09**  
PCI Expansion Kit
- **TF-PER-M00**  
Slim Auto Insertion DVD ROM, 8X, COMBO, White Color
- **TF-PER-M03**  
Slim Auto Insertion DVD-RW, White Color
- **TF-PER-M28**  
Mini-PCI Capture Card
- **TF-PER-M02**  
PCI TV tuner, Capture Card
- **TF-PER-M08**  
Barcode Scanner, 500 Scans Per Second
- **TF-PER-M04**  
USB Skype Phone
- **TF-PER-M17**  
USB Finger Printer
- **9741666646**  
Wireless LAN Kit
- **TF-PER-M13**  
Medical Adapter, 24V 100W
- **PER-M18**  
Desktop Stand with VESA 100, Cool Gray 1C
- **PER-M19**  
3-level Trolley
- **AP-LN9686Q80200**  
WLAN Kit, IEEE 802.11 a/b/g/n