

# FOX-81D

8.4" Heavy-Duty Touch Display



## Features

- 8.4" SVGA TFT (800 x 600), 450 Nits
- IP65 Water-Proof & Marine IEC60945 ed.4 Compliant
- Anti-Fog Design: LCD+ TS Bonding Technology
- Brightness Adjustment



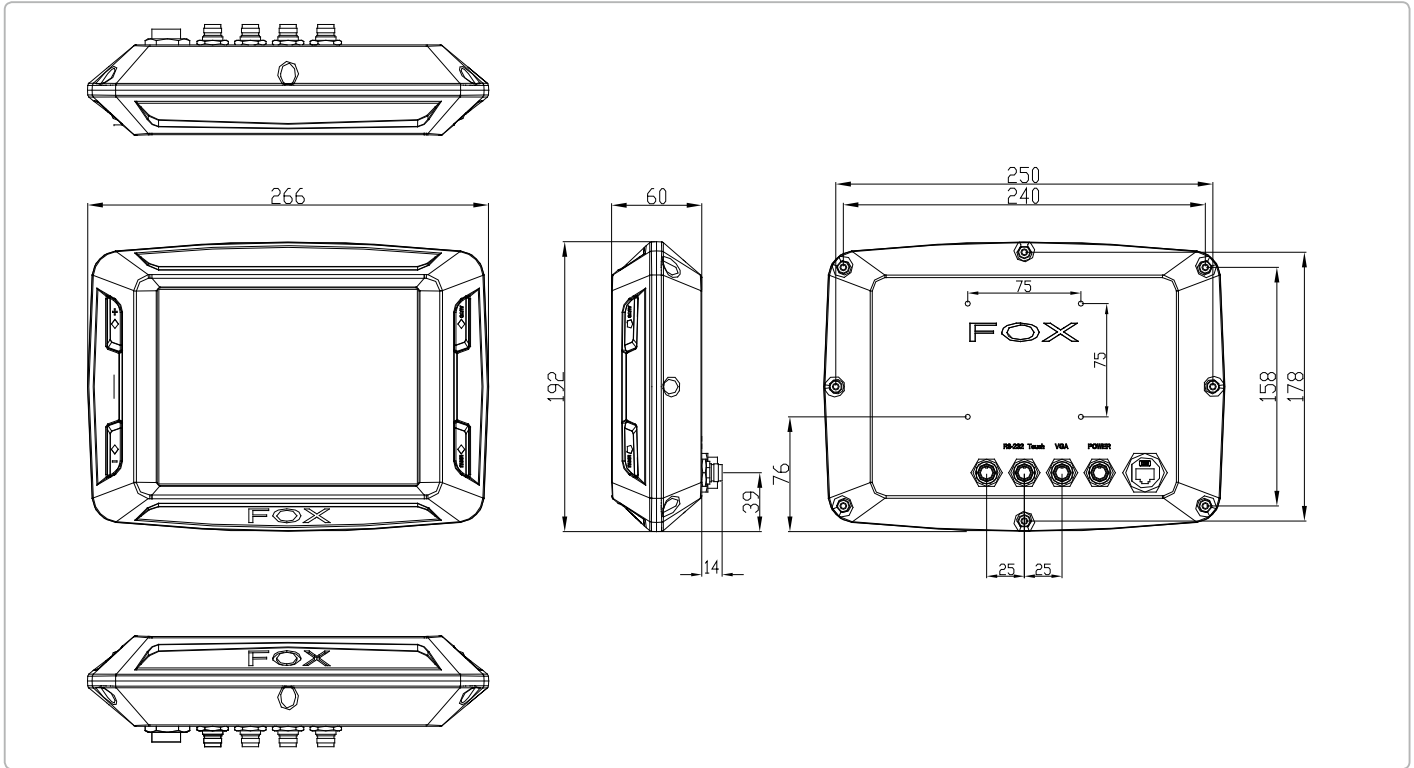
## Specifications

|                           |  |
|---------------------------|--|
| <b>System</b>             |  |
| Input Signal              | VGA  |
| On Screen Display Control | Brightness, Contrast, Phase, Sharpness, AutoTune, H/V-position |
| I/O Connector             | VGA x 1, USB x 1   |
| OS Support                | Windows® XP, Windows® 7, Linux Fedora                          |
| <b>Mechanical</b>         |  |
| Construction              | IP65 Sealed Aluminum Alloy Chassis                             |
| Mounting                  | VESA 75  |
| Dimension                 | 10.47" x 7.56" x 2.36" (266mm x 192mm x 60mm)                  |
| Carton Dimension          | 13.86" x 12.91" x 7.72" (352mm x 196mm x 328mm)                |
| Gross Weight              | 6.6 lb (3 kg)  |
| Net Weight                | 4.4 lb (2 kg)  |
| <b>Environmental</b>      |  |
| Operating Temperature     | 32°F ~ 122°F (0°C ~ 50°C)                                      |
| Storage Temperature       | -22°F ~ 140°F (-30°C ~ 60°C)                                   |
| Storage Humidity          | 10%~95% @ 40°C; non-condensing                                 |
| Vibration                 | 1 g rms/ 5~500Hz/ Random operation                             |
| Shock                     | 15 G peak acceleration (11 msec. Duration)                     |
| EMC                       | CE/FCC Class A, IEC 60945 ed.4                                 |
| <b>Power Supply</b>       |  |
| DC Input                  | DC 9~30V   |
| <b>LCD</b>                |  |
| Display Type              | 8.4" TFT-LCD   |
| Max Resolution            | 800 x 600  |
| Max. Colors               | 16.2M colors   |
| Luminance                 | 450 nits   |
| Viewing Angle             | 160°(H)/140°(V)  |
| Back Light                | LED  |
| Back Light MTBF (hours)   | 50,000   |
| <b>Touchscreen</b>        |  |
| Type                      | 5-wire Resistive   |
| Light Transmission        | 80%  |
| Lifetime (Times)          | 35 million activations   |

# FOX-81D

## Dimension

Unit: mm



## Ordering Information

| Part Number           | Display Type | Max Resolution | Luminance             | View Angle     | Backlight MTBF (Hours) | Display | Mounting    | Power    | Temp.                | Touch            | Other |
|-----------------------|--------------|----------------|-----------------------|----------------|------------------------|---------|-------------|----------|----------------------|------------------|-------|
| TF-FOX-81DHTT-A1-1010 | 8.4" TFT-LCD | 800 x 600      | 450 cd/m <sup>2</sup> | 160(H), 140(V) | 50,000                 | VGA x 1 | VESA 75/100 | DC 9~30V | 0°C ~ 50°C (w/o air) | 5-wire Resistive | —     |

## Packing List

- VGA Cable with Waterproof Connector
- Water Proof Connector for DC-in (Female)
- RS-232 Cable with Waterproof Connectors
- Product CD
- FOX-81D

## Optional Accessories

- **1757910004**  
AC Adapter (100W)
- **1702031802**  
AC adapter Power Cord (US Type)
- **1702031803**  
AC Adapter Power Cord (European Type)
- **170203180E**  
AC Adapter Power Cord (Japanese Type)
- **1709151000**  
(TF) EXT VGA Cable, DB15(M), M12 8P(F), 100cm, For FOX-81D
- **1700091001**  
(TF) M12 Cable, 9P(F) D-SUB to M12(F), 100cm, For FOX-81D
- **M990FOX001**  
(TF) Metal, M12 Waterproof Cap, Ass'y Screw 3-Pin F Connector, to F Pin, for FOX Serial, LTW, LTW12-03BFFA-SL8001