



## Features

- Supports Remote Display Technology
- IP-67 Water-Proof & Marine IEC60945 ed.4 Compliant
- 12.1" 500 Nits XGA LED Backlight (FOX-12R-HTT)  
12.1" 1000 Nits XGA LED Backlight (FOX-12R-STT)
- Anti-Fog Design: LCD+ TS Bonding Technology
- Brightness Adjustment



## Specifications

System	
Input Signal	VGA/ DVI
On Screen Display Control	Menu, Auto, Up, Down
I/O connector	RJ-45 x 1
OS support	Windows® XP, Windows® 7, Linux Fedora
Mechanical	
Construction	IP-67 Sealed Aluminum Alloy Chassis
Mounting	VESA 75/100
Dimension	13.58"(W)x 11.1"(H) x 2.35"(D) (345mm x 282mm x 60mm)
Carton Dimension	20.23"(W)x 9.72"(H) x 20.31"(D) (514mm x 247mm x 516mm)
Gross Weight	—
Net Weight	—
Environmental	
Operating Temperature	-4°F ~140°F (-20°C~60°C)
Storage Temperature	-22°F ~158°F (-30°C~70°C)
Storage Humidity	10%~95% @ 40°C; non-condensing
Vibration	1 g rms/ 5~500Hz/ Random operation
Shock	15 G peak acceleration (11 msec. Duration)
EMC	CE/FCC Class A, IEC 60945 ed.4
Power Supply	
DC input	DC 9~30V
LCD	
Display type	12.1" TFT-LCD
Max Resolution	1024 x 768
Max. Colors	262K colors
Luminance	HTT: 500 nits, STT: 1000 nits
Viewing Angle	HTT: 160°(H)/160°(V), STT: 160°(H)/140°(V)
Back Light	HTT: LED, STT: LED
Back Light MTBF (hours)	HTT: 50,000, STT: 60,000
Touchscreen	
Type	5-wire resistive
Light Transmission	80%
Lifetime (times)	35 million activations

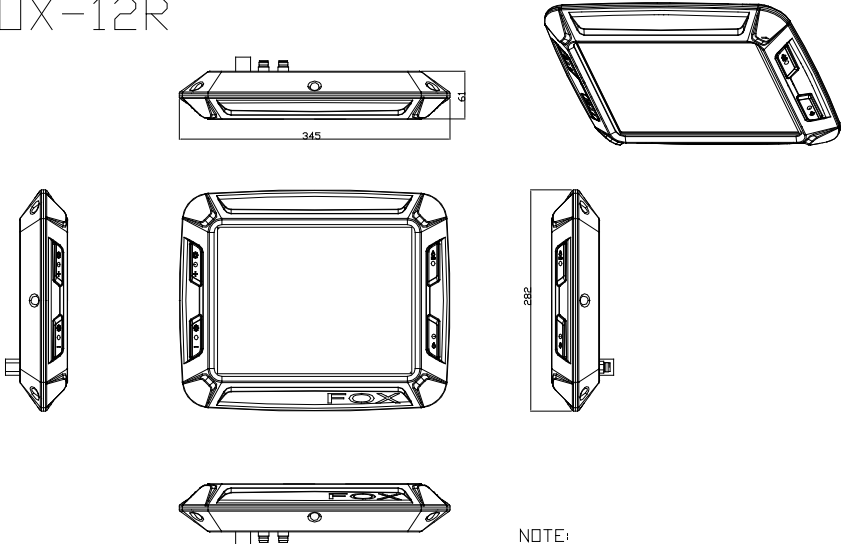
Note: Users have to select the ACG-203 to work with the FOX-12R.

# FOX-12R

## Dimension

Unit: mm

FOX-12R



NOTE:  
1. UNIT:MM  
2. VESA: 75\*75 & 100\*100

## Ordering Information

• TBD

## Optional Accessories

• TBD