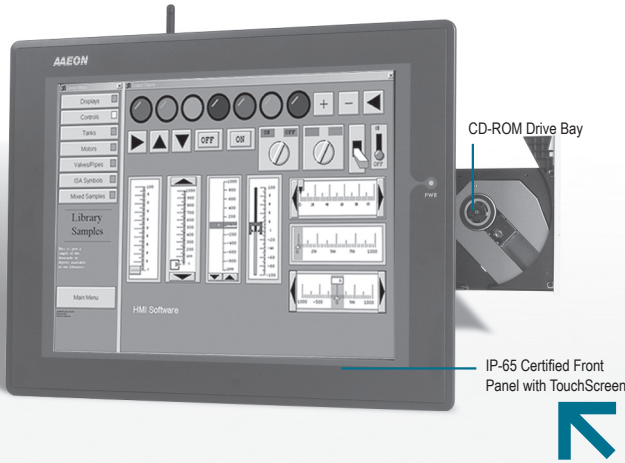


AOP-8150HT

15" Ultra Low Voltage Intel® Celeron® Processor-based Fanless Operator Panel PC

02

OMNI Series - Operator Panel Solutions



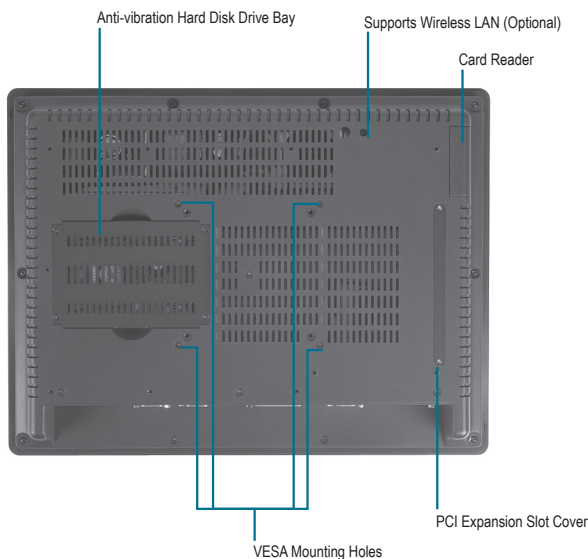
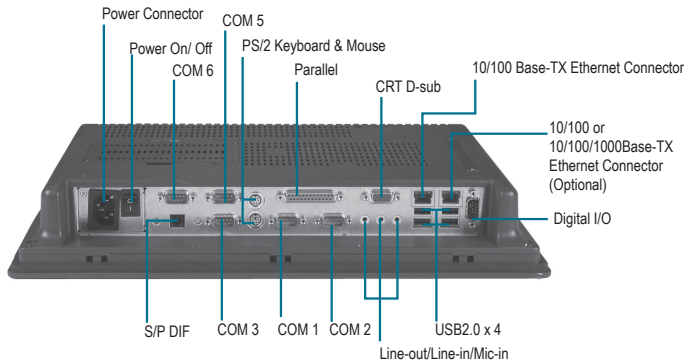
Features

- 15" TFT XGA (1024 x 768) LCD
- Onboard Ultra Low Voltage Intel® Celeron® at 650MHz Processor
- Anti-vibration Disk Drive Bay for Hard Disk Drive
- COM x 5, USB2.0 x 4, Ethernet x 2 (10/100Base-TX or Optional Gigabit Ethernet)
- TouchScreen, Mini PCI and 6-in-1 Card Reader
- Windows® XP Embedded Support (Optional)
- Up to 8 in or 8 out Digital I/O
- Slim and Fanless Solution
- Dual Independent Display (Under Windows® XP)



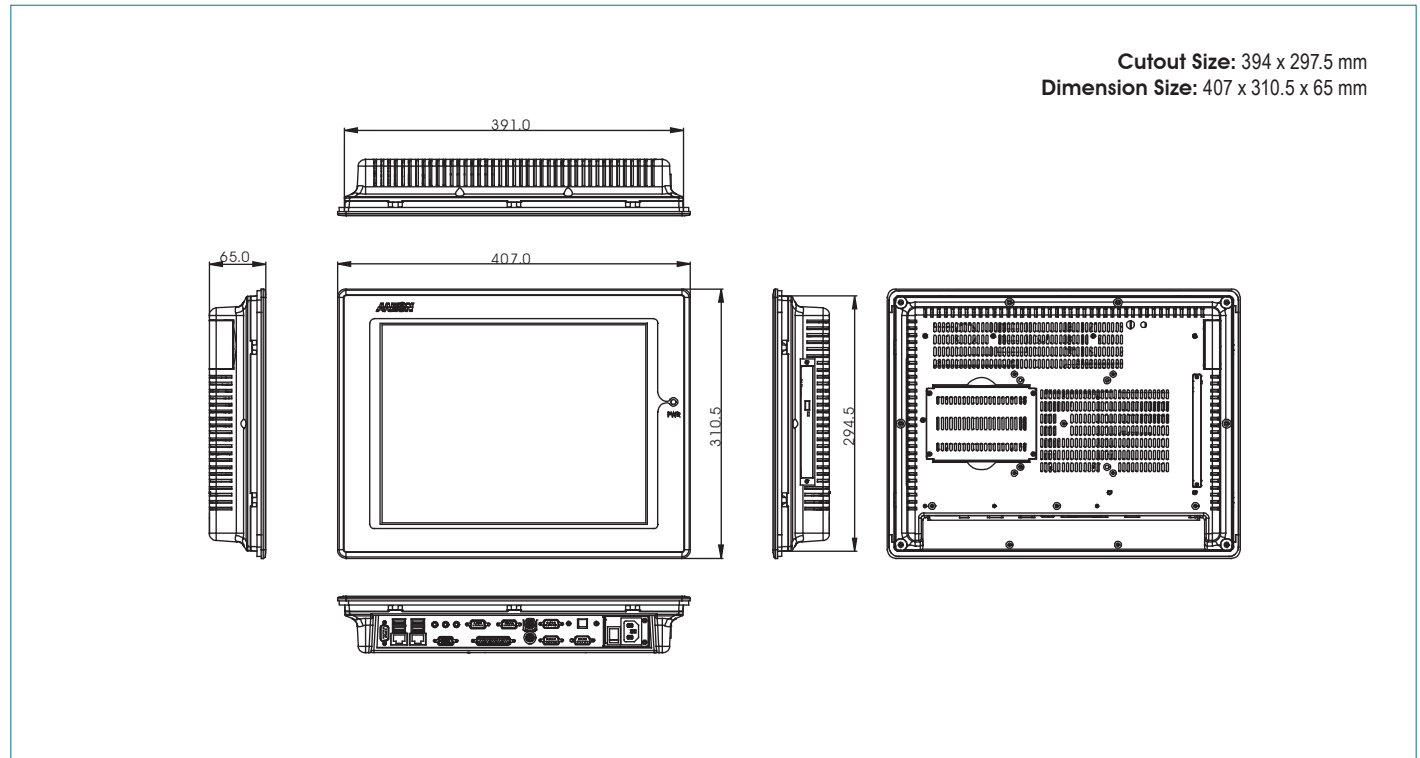
Specifications

System	
Processor	Onboard Ultra Low Voltage Intel® Celeron® processor at 650MHz
Memory (Optional)	Onboard 256MB, supports up to 1GB 184-pin DDR SDRAM
LCD/CRT Controller	VIA CLE266, shared up to 32MB
Ethernet	Realtek 8100BL 10/100Base-TX RJ-45 x 1 Realtek 8100C 10/100Base-TX RJ-45 x 1 or 8110S 10/100/1000Base-TX RJ-45 x 1 (optional)
I/O Port	5 serial: RS-232 x 4, RS-232/422/485 x 1 (COM 4 is reserved for TouchScreen) parallel x 1 (supports ECP/EPP) PS/2 mouse x 1 PS/2 keyboard x 1 VGA x 1 MIC-in, Line-in, Line-out, S/P DIF-out USB2.0 x 4 Digital I/O x 1 (Supports up to 8 in or 8 out)
Storage Disk Drive	Anti-vibration 2.5" Hard Disk Drive (optional) Slim CD-ROM/Combo/DVD-ROM (optional) 6-in-1 card reader
Expansion Slot	Mini PCI slot x 1, PCI (optional) x 1
OS Support	Windows® 2000, Windows® XP, Windows® XP Embedded (optional)
Mechanical	
Construction	Plastic chassis IP-65 certified front panel
Front Panel Color	PMS 2965C (Dark Blue)
Mounting	Panelmount, VESA 100mm holes
Dimension	16"(W) x 12.2"(H) x 2.6"(D) (407mm x 310.5mm x 65 mm)
Carton Dimension	20.67"(W) x 18.31"(H) x 9.1"(D) (525mm x 465mm x 230 mm)
Gross Weight	13.2 lb (6 kg)
Net Weight	11 lb (5 kg)
Environmental	
Operating Temperature	32°F ~ 104°F (0°C to 40°C)
Storage Temperature	-4°F ~ 140°F (-20°C to 60°C)
Storage Humidity	10% to 90% @ 35°C, non-condensing
Vibration	Random operation 1G, 5~500Hz
Shock	15G peak acceleration (11 msec. Duration)
EMC	CE/ FCC Class A
Power Supply	
AC input 75W	Input: 85V AC ~ 264V AC @ 47~63Hz
LCD	
Display Type	15" TFT LCD
Max. Resolution	1024 x 768
Max. Colors	262K
Dot Size	0.297 x 0.297
Luminance (Typical)	250 cd/m ²
Viewing Angle	150° (H) / 140° (V)
Back Light MTBF (Hours)	30,000



AOP-8150HT

Dimension Unit: mm



TouchScreen	
Type	8-wire, Analog Resistive
Resolution	2048 x 2048
Light Transmission	80%
Lifetime	10 million activations

Ordering Information

- **TF-AOP-8150HT-A1-1010**
Operator Panel, ULV Celeron® 650MHz processor, 256MB RAM, 15" TFT LCD, Fanless, Card Reader and TouchScreen
- **TF-AOP-8150HT-P1-1010**
AOP-8150HT-A1 with Windows® XP Embedded (English) on 512MB DOM

Optional Accessories

- **9741666646**
Wireless LAN Kit, IEEE802.11b/g, with Antenna
- **STAND-8150B0**
Desktop Stand with VESA 100mm Standards
- **ARM-WK075-0**
Wallmount Kit with VESA 75/100mm Standards
- **ARM-LA0115**
Swivel Arm with VESA 75/100mm Standards
- **EXP-8150P1-01**
One PCI Expansion Kit
- **Slim CD-ROM/Combo/DVD-ROM**
- **2.5" Hard Disk Drive**
- **1702031802**
Power Cord (US Type)
- **1702031803**
Power Cord (European Type)
- **170203180E**
Power Cord (Japanese Type)