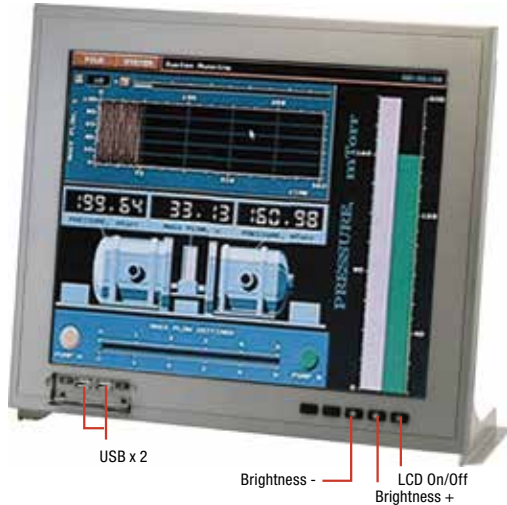


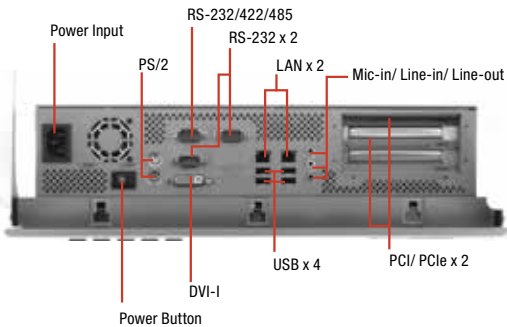
AGP-3175

17" Rugged Touch Panel Computer With Intel® Core™ i7/i5/P4500 Processor

Rugged Expandable Touch Panel Solutions



USB x 2
Brightness -
LCD On/Off
Brightness +



Features

- 17" SXGA (1280 x 1024) TFT LCD Display
- Intel® Core™ i7/i5/P4500 Processor
- Easy-To-Expand: Two PCI/PCle Slots
- IP65 Aluminum Die Cast Front Bezel
- Two Easy Access Front USB Ports
- Modular Design For CPU Board



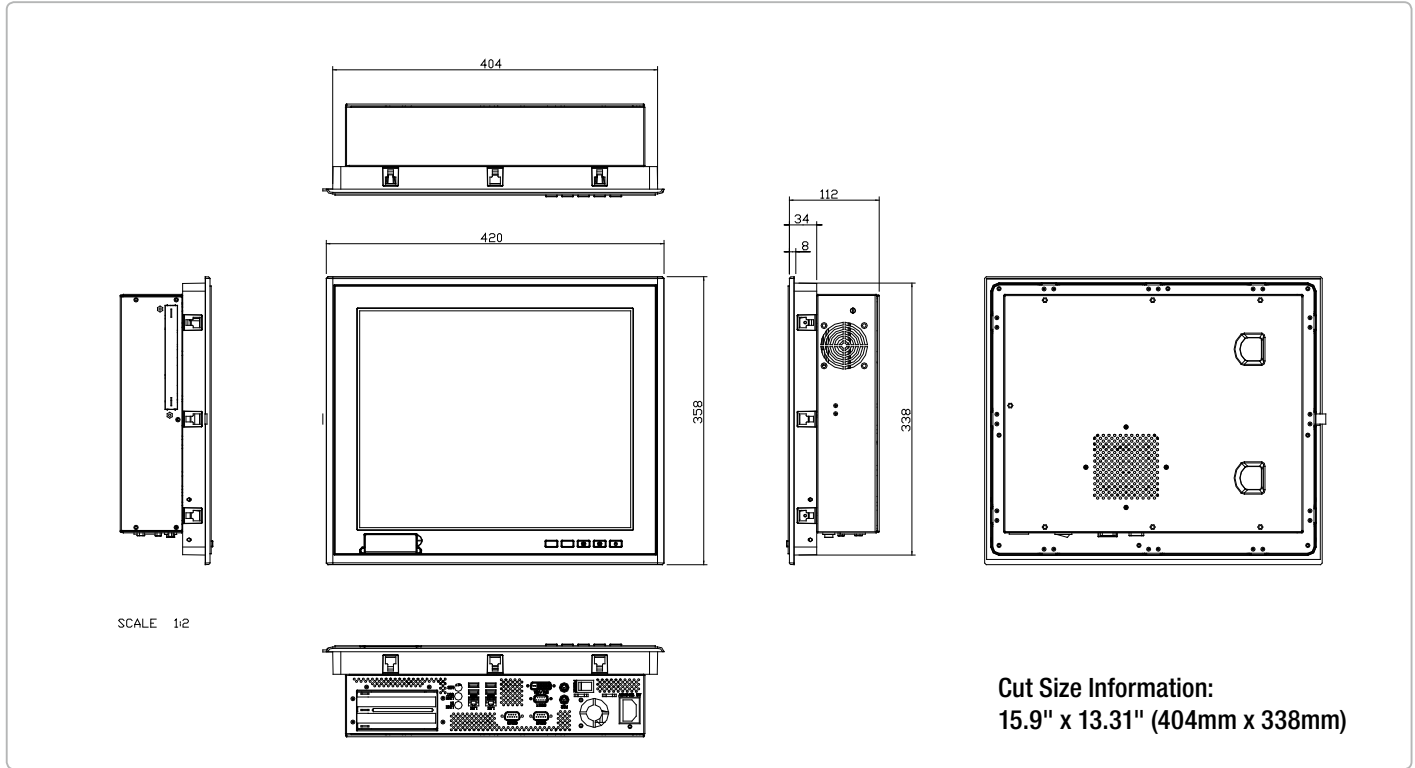
Specifications

System	
Processor	Intel® Core™ i7/i5/P4500 Processor, Core™ i7-620M, Core™ i5-520M, P4500
Memory	DDR3 800/1066MHz SODIMM x 2, up to 8GB
Chipset	Intel® Core™ i7/i5 + Intel® QM57
LCD/CRT Controller	Integrated in Intel® QM57
Ethernet	10/100/1000Base-TX, RJ-45 x 2
I/O Port	RS-232 x 2, RS-232/422/485 x 1, USB2.0 x 6 (2 on front, 4 on rear), Line-out/ MIC-in/Line-in x 1, PS/2 x 1 for KB/Mouse, DVI-I x 1
Storage Disk Drive	3.5" SATA Hard Disk Drive x 2, Slim DVD-Combo (optional)
Expansion Slot	Mini card x 1, PCI slot x 2 or PCIe x 2
OS support	Windows® XP, Windows® 7, Linux Fedora
Mechanical	
Construction	IP65/ NEMA4 for Aluminum die cast front bezel & Steel chassis
Mounting	Panel/ Desktop/ Rack
Dimension	16.53" x 14.1" x 4.41" (420mm x 358mm x 112mm)
Carton Dimension	24.21" x 20.47" x 12.99" (615mm x 520mm x 330mm)
Gross Weight	24.2 lb (11 kg)
Net Weight	20.9 lb (9.5 kg)
Environmental	
Operating Temperature	32°F ~ 122°F (0°C ~ 50°C) (Ambient with airflow)
Storage Temperature	-4°F ~ 158°F (-20°C ~ 70°C)
Storage Humidity	10%~95% @40°C; non-condensing
Vibration	1 g rms/ 5~500Hz /Random operation (HDD)
Shock	20 G peak acceleration (11 msec. Duration)
EMC	CE/FCC Class A
Power Supply	
AC input 250W	110/230V AC power
LCD	
Display type	17" TFT-LCD
Max Resolution	1280 x 1024
Max. Colors	16.7M colors (6/8-bit for R,G,B)
Luminance	380 cd/m ²
Viewing Angle	170°(H), 160°(V)
Back Light	CCFL
Back Light MTBF (hours)	50,000
Touchscreen	
Type	5-wire resistive
Light Transmission	80%
Lifetime (times)	35 Million activations

AGP-3175

Dimension

Unit: mm



SCALE 1:2

Cut Size Information:
15.9" x 13.31" (404mm x 338mm)

Ordering Information

Part Number	Display Type	Max Resolution	Luminance	View Angle	Backlight MTBF (Hours)	CPU	LAN	USB	RS-232	RS-485/422/232	Storage	RAM	Display	Expansion	Mounting	Power	Temp.	Touch
TF-AGP-3175HTT-A1-1010	17" TFT-LCD	1280 x 1024	380 cd/m ²	170(H), 160V	50,000	Intel® Core™ i7-620M/i5-520M/P4500	2	6	2	1	CF Kit x 1 SATA-HDD Kit x 1	-	DVI-I x 1 PCI x 2	Mini Card x 1 PCIe x 2	Desktop/ Panel	AC 110/230 V	0°C-50°C (w/o air)	5-wire resistive
TF-AGP-3175HTT-A2-1010	17" TFT-LCD	1280 x 1024	380 cd/m ²	170(H), 160V	50,000	Intel® Core™ i7-620M/i5-520M/P4500	2	6	2	1	CF Kit x 1 SATA-HDD Kit x 1	-	DVI-I x 1 PCIe x 2	Mini Card x 1 PCIe x 2	Desktop/ Panel	AC 110/230 V	0°C-50°C (w/o air)	5-wire resistive

Packing List

- Power Connector
- Mounting Brackets and Screws
- Product DVD
- AGP-3175

Optional Accessories

- **1702031802**
Power Cord (US Type)
- **1702031803**
Power Cord (European Type)
- **170203180E**
Power Cord (Japanese Type)
- **9761317502**
Rackmount Kit For AGP-3175 with Carton
- **9761317501**
Rackmount Kit For AGP-3175 without Carton
- **976131705**
3.5" x 2 HDD Kit for AGP-3175
- **9761317506**
2.5" x 2 HDD for AGP-3175
- **9761317504**
DVD-Combo Kit For AGP-3175
- **9761215303**
Wireless b/g/n