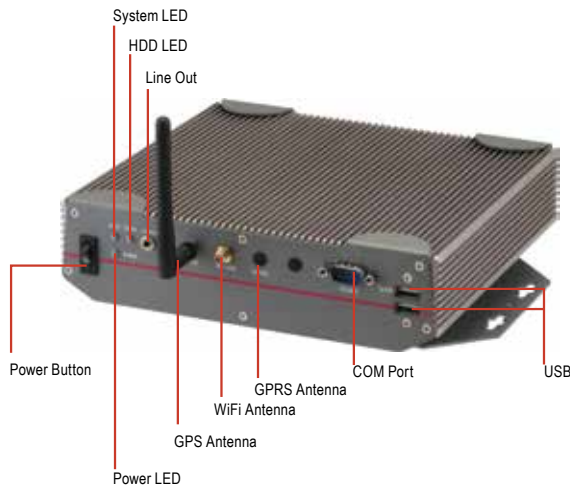


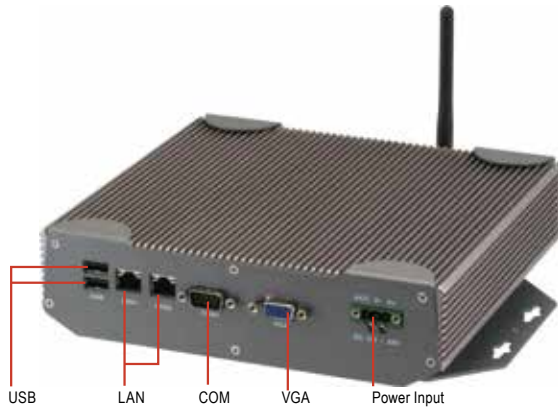
AEV-6312

In-Vehicle Embedded Controller With Intel® Atom™ D510 Processor

Front View



Rear View



Features

- Fanless Design
- Intel® Atom™ D510 Processor
- Supports GPS Inside
- Programmable Power On Ignition/ Off Replay Control
- Over-voltage Protection
- Under-voltage Protection
- Reverse Protection
- Load Dump Protection



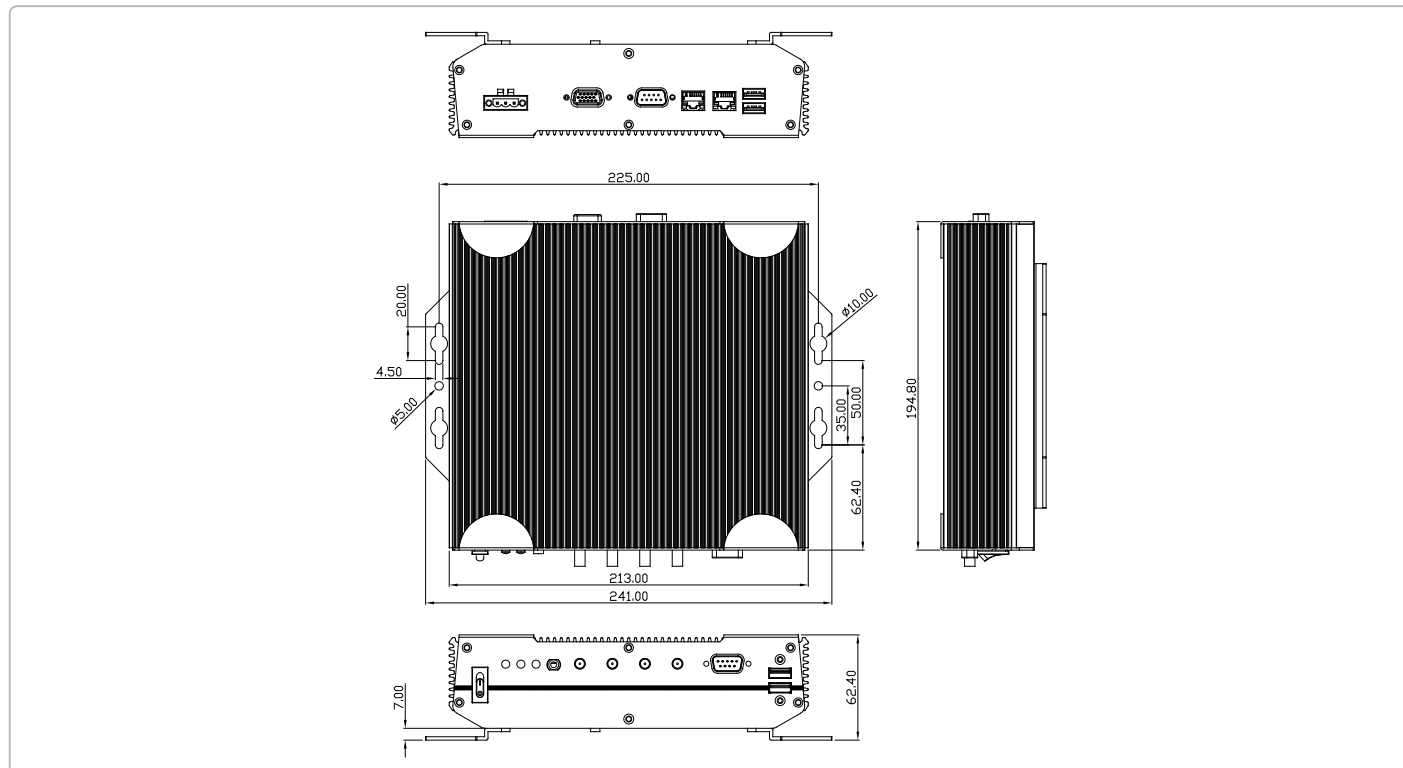
Specifications

| | | |
|-----------------------|--|---|
| CPU | Intel® Atom™ D510 1.6 GHz | |
| Chipset | Intel® ICH8M | |
| System Memory | 200-pin DDR2 SODIMM x 1, up to 2GB | |
| Display Interface | VGA | DB-15 x 1, shared system memory up to 384MB/ DVMT 4.0 |
| | DVI | — |
| | Others | — |
| Storage Device | SSD | Type 2 CompactFlash™ Slot x 1 |
| | HDD | SATA 1.5Gb/s HDD bay x 1 |
| Network | LAN | Gigabit Ethernet |
| | Wireless | Optional by Mini card |
| Front I/O | USB Host | USB2.0 x 2 |
| | LAN | — |
| | Serial Port | RS-232/422/485 x 1 (COM2) |
| | DIO | — |
| | Audio | Line-out x 1 |
| | KB/MS | — |
| | Others | Power button x 1, System LED x 1, HDD LED x 1, SMA connector x 3 (optional) |
| | USB Host | USB2.0 x 2 |
| | LAN | RJ-45 x 2 |
| | Serial Port | RS-232 x 1 (COM1) |
| Rear I/O | DIO | — |
| | Audio | — |
| | KB/MS | — |
| | Others | Power input x 1, VGA x 1 |
| | PCIe (x1) | — |
| Expansion | PCI | — |
| | Mini Card | 2 |
| | Mini PCI | — |
| | Others | — |
| Indicator | Front | System LED x 1, HDD LED x 1 |
| | Rear | — |
| Power Requirement | DC 12/24V | |
| Power Consumption | Intel® Atom™ D510 1.6GHz, 1.236A@+12V | |
| System Cooling | Passive cooling | |
| Mounting | Wallmount | |
| Operating Temperature | -4°F ~ 122°F (-20°C ~ 50°C) (No Airflow, SSD) | |
| | -4°F ~ 131°F (-20°C ~ 55°C) (Airflow, SSD) | |
| Storage Temperature | -4°F ~ 158°F (-20°C ~ 70°C) | |
| Anti-Vibration | Meets MIL-STD-810D-514.5C-1 | |
| Anti-Shock | 50 G peak acceleration (11 msec. duration) – SSD | |
| MTBF | — | |
| Certification | EMC | E-mark E13 |
| | Safety | — |
| Dimension (W x H x D) | 8.39" x 7.68" x 2.2" (213mm x 195mm x 56mm) | |
| Gross Weight | 6.16 lb (2.8 Kg) | |
| Note | — | |

AEV-6312

Dimension

Unit: mm



Ordering Information

| Part Number | CPU | LAN | USB | RS-232 | RS-232/422/485 | Storage | Display | Expansion | Mounting | Power | Temp. |
|----------------------|-----------------------------|-----|-----|--------|----------------|---------------------------|---------|---------------|-----------|-----------|------------------------|
| TF-AEV-6312-A10-1010 | Intel® Atom™ D510 - 1.66GHz | 2 | 4 | 1 | 1 | CF kit x 1 HDD kit x 1 | VGA x 1 | Mini Card x 2 | Wallmount | DC 12/24V | -20°C ~ 55°C (w/o air) |

Packing List

- 3-pin Phoenix Connector x 1
- Screw Package x 1
- Wallmount Bracket x 2
- Product CD
- AEV-6312

Optional Accessories

- **978966660G**
GPS Antenna, SMA(M) Black 3M
- **9761635600**
3G & GPS Module
- **9761635601**
WiFi 802.11 b/g/n Module