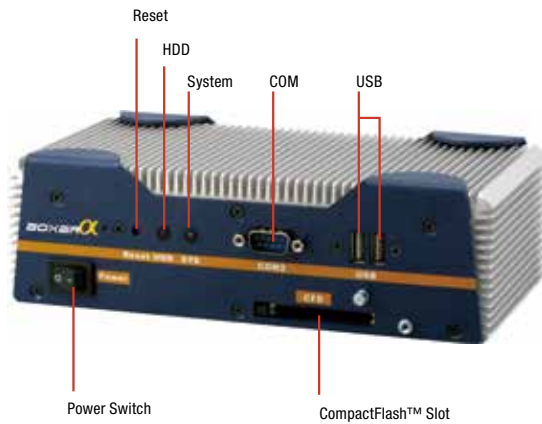


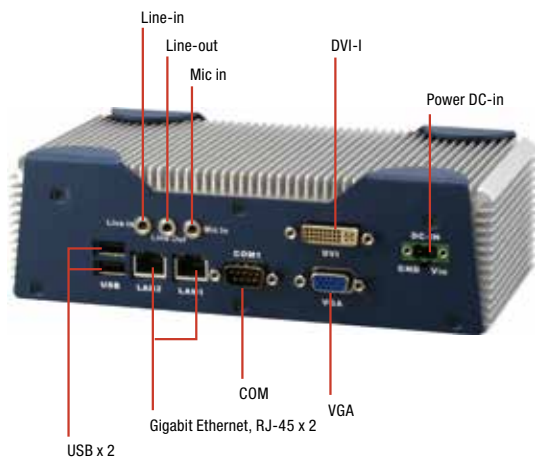
AEC-6831

Fanless Embedded Controller With Intel® Atom™ Processor

Front View



Rear View



Features

- Fanless Design
- Intel® Atom™ N270 Processor
- Gigabit Ethernet x 2
- Wide DC Power Input Range
- COM x 2, USB x 4
- Mini-PCI x 1
- AT Power Function
- Wide Operating Temperature



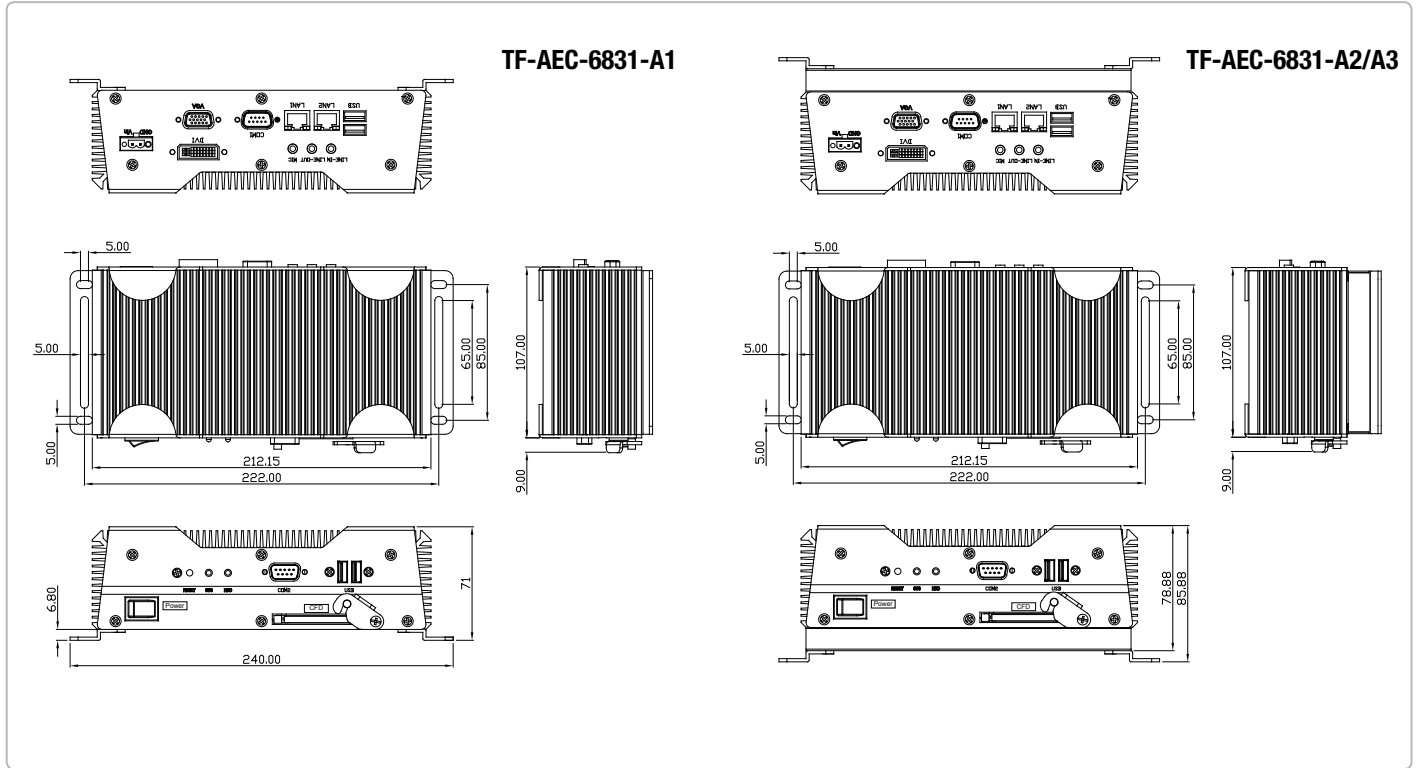
Specifications

CPU	Intel® Atom™ N270 processor, 1.6 GHz	
Chipset	Intel® 945GSE + ICH7M	
System Memory	DDR2 SDRAM SODIMM x 1, up to 2GB	
Display Interface	VGA	DB-15 x 1, shared system memory up to 224MB/ DVMT 3.0
	DVI	DVI-I x 1
	Others	—
Storage Device	SSD	CompactFlash™ Slot
	HDD	2.5" SATA 1.5Gb/s, IDE Slim Hard Disk Drive bay x 1 (optional)
Network	LAN	Gigabit Ethernet, RJ-45 x 2
	Wireless	—
Front I/O	USB Host	USB2.0 x 2
	LAN	—
	Serial Port	RS-232/422/485 x 1
	DIO	—
	Audio	—
	KB/MS	—
	Others	Power Switch x 1, Reset Button x 1, CompactFlash™ slot x 1
	Expansion	—
Rear I/O	USB Host	USB2.0 x 2
	LAN	RJ-45 x 2
	Serial Port	RS-232 x 1
	DIO	—
	Audio	Line-in/Line-out/Mic-in x 1
	KB/MS	—
Others	DB-15 x 1, DVI-I x 1, Power input x 1	
Expansion	PCIe [x 1]	—
	PCI	—
	Mini Card	—
	Mini PCI	1
	Others	—
Indicator	Front	Power switch x 1, Power LED x 1, Hard Disk Drive LED x 1
	Rear	—
Power Requirement	DC-in 9-30V	
Power Consumption	Intel® Atom™ N270 1.6 GHz 1.47A @ DC 9V	
System Cooling	Passive Cooling	
Mounting	Wallmount	
Operating Temperature	Ambient with Airflow 5°F ~ 131°F (-15°C ~ 55°C) (CompactFlash™) 32°F ~ 122°F (0°C ~ 50°C) (Hard Disk Drive)	
Storage Temperature	-4°F ~ 158°F (-20°C ~ 70°C)	
Anti-Vibration	5 g rms / 5 ~ 500Hz / operation (CompactFlash™) 1 g rms / 5 ~ 500Hz / operation (HDD)	
Anti-Shock	50 G peak acceleration (11 msec. duration) (CompactFlash™) 20 G peak acceleration (11 msec. duration) (Hard Disk Drive)	
MTBF	60,000	
Certification	EMC	CE /FCC Class A
	Safety	—
Dimension (W x H x D)	9.5"(W) x 3.4"(H) x 4.2"(D) (240mm x 86mm x 107mm)	
Gross Weight	8.36 lb (3.8Kg)	

AEC-6831

Dimension

Unit: mm



Ordering Information

Part Number	CPU	LAN	USB	RS-232	RS-232/422/485	Storage	Display	Expansion	Mounting	Power	Temp.
TF-AEC-6831-A1-1010	Intel® Atom™ N270 - 1.6GHz	2	4	1	1	CF kit x 1	VGA x 1, DVI-I x 1	Mini PCI x 1	Wallmount	DC9-30V	-15°C ~ 50°C (w/o air)
TF-AEC-6831-A2-1010	Intel® Atom™ N270 - 1.6GHz	2	4	1	1	CF kit x 1 SATA-HDD kit x 1	VGA x 1, DVI-I x 1	Mini PCI x 1	Wallmount	DC9-30V	-15°C ~ 50°C (w/o air)
TF-AEC-6831-A3-1010	Intel® Atom™ N270 - 1.6GHz	2	4	1	1	CF kit x 1 IDE-HDD kit x 1	VGA x 1, DVI-I x 1	Mini PCI x 1	Wallmount	DC9-30V	-15°C ~ 50°C (w/o air)

Packing List

- Phoenix Power Connector x 1
- Wallmount Bracket x 2
- Screw Package x 1
- Heat Spreading x 1
- Product CD
- AEC-6831

Optional Accessories

- **1757904003**
Power Adapter (40W), Output: DC 12V
- **1702031802**
Power Cord (US Type)
- **1702031803**
Power Cord (European Type)
- **170203180E**
Power Cord (Japanese Type)
- **9741683103**
2.5" SATA Hard Disk Drive Kit
- **9741683169**
2.5" SATA DVD/HDD Assembly Kit for AEC-6831 (without DVD-ROM)