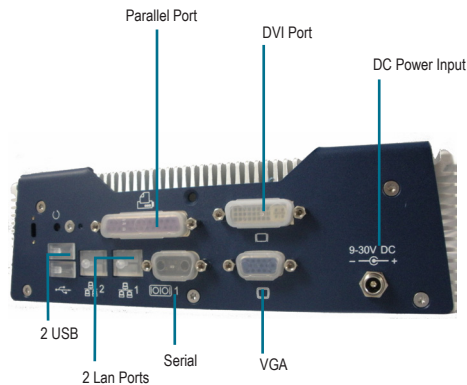
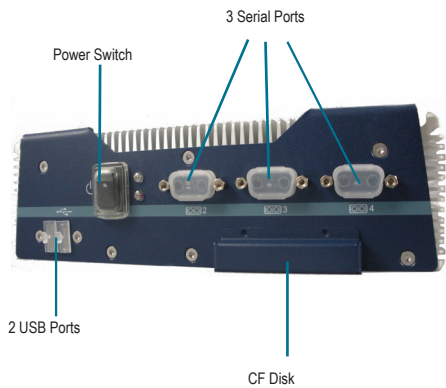


AEC-6822

Fanless Embedded Controller with Intel® Atom™ Processor

06

BOXER Series - Fanless Embedded Controller Solutions



Features

- Intel® Atom™ N270 1.6GHz Processor
- DDR2 ISO DIMM x 1, Max. 2GB
- COM x 4, USB 2.0 x 4
- Gigabit Ethernet, RJ-45 x 2
- SATA / IDE Interfaces
- Mini PCI x 1
- VGA Output
- ATX Power Function

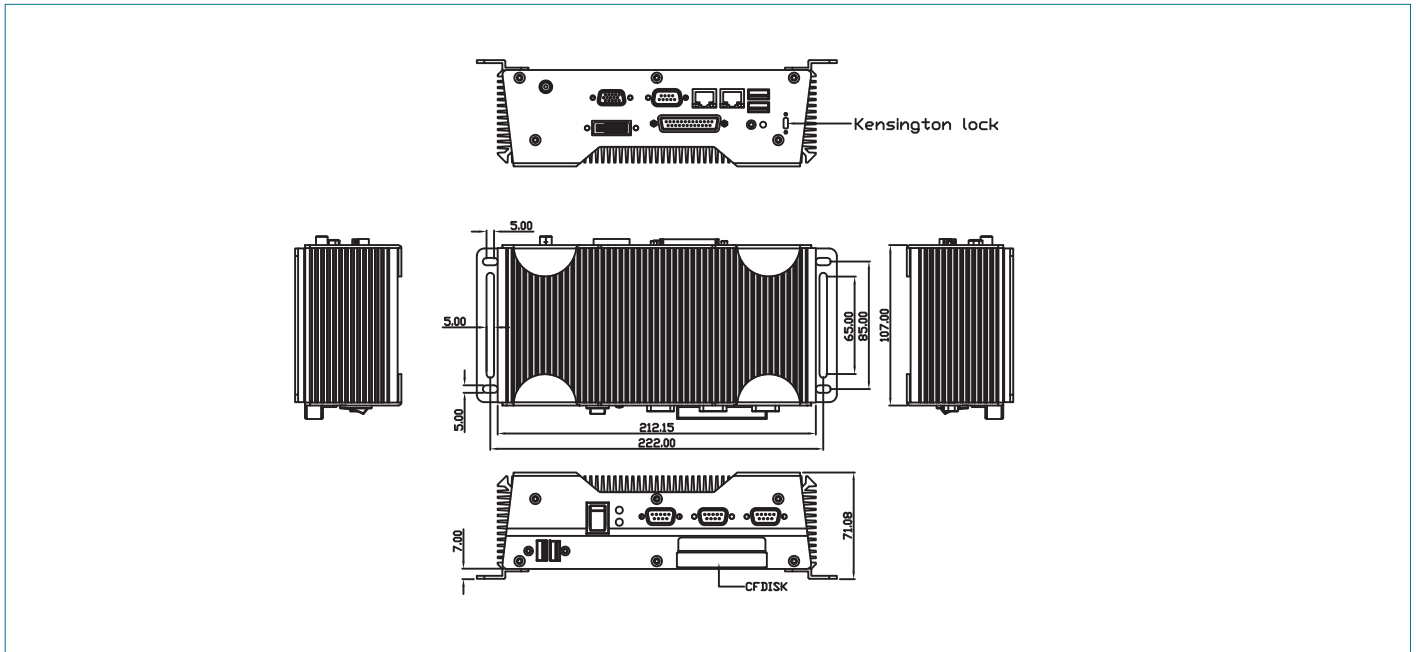


Specifications

System	
Processor	Intel® Atom™ N270 1.6GHz Processor
Memory (Optional)	DDR2 SODIMM x 1, Max. 2GB
VGA/ Keyboard/ Mouse	DB-15 VGA Connector x 1, Keyboard & Mouse by USB
Ethernet	Gigabit Ethernet, RJ-45 x 2
SSD	CompactFlash™ Socket inside
Hard Disk Storage	HDD kit (optional)
Expansion Interface	Mini PCI x 1
USB	USB2.0 x 4
System Control	Power switch x 1
LED Indicator	Power LED x 1, Hard Disk Drive LED x 1
Watchdog Timer	Generates a Time-out System Reset, setting via Software
Power Supply	1. DC Input
	2. AC Input
Power Consumption	Intel® Atom™ 1.6GHz 1.05A@DC 12V
MTBF (Hours)	60,000
OS Support	Windows® CE 5.0, Windows® XP Pro, Windows® XP Embedded, Linux Red Hat
Mechanical	
Construction	Rugged Aluminum Alloy chassis
Color	Dark Blue
Water & Dust Proof	IP54
Mounting	Wallmount
Dimension	9.5" (W) x 2.5" (H) x 4.2" (D) (240 mm x 64 mm x 107 mm)
Carton Dimension	12" (W) x 7.87" (H) x 9.45" (D) (305 mm x 200 mm x 240 mm)
Net Weight	4.75 lb (2.16 kg)
Environmental	
Operating Temperature	5°F ~ 131°F (-15°C ~ 55°C)(CompactFlash™) 32°F ~ 122°F (0°C ~ 50°C)(Hard Disk Drive)
Storage Humidity	5~95%@40°C, non-condensing
Vibration	5g rms/ 5 ~ 500Hz / operation (CompactFlash™) 1g rms/ 5~ 500Hz / operation (Hard Disk Drive)
Shock	50G peak acceleration (11 msec. duration) (CompactFlash™)
EMC	CE/ FCC class A

AEC-6822

Dimension Unit: mm



Ordering Information

- TBD

Optional Accessories

- **9741681002**
AC Input Adapter Kit (36W); Input: AC 90~264V, Output: DC 12V
- **1702031802**
Power Cord (US type)
- **1702031803**
Power Cord (European type)
- **170203180E**
Power Cord (Japanese Type)