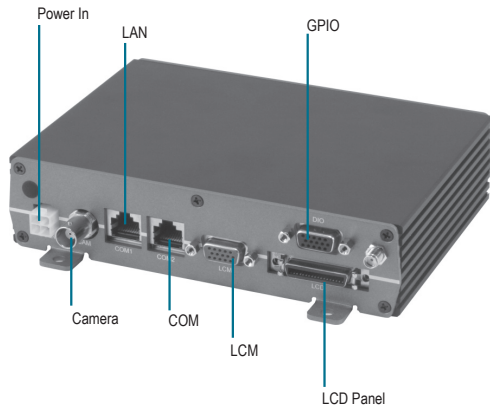
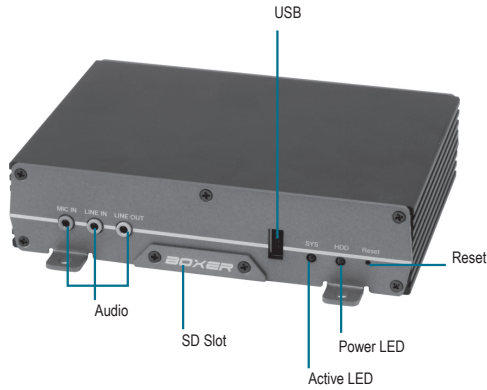


AEC-6610

Telemetric Vehicle Computer with Freescale Processor

07

Fanless Intelligent Transportation Controller Solutions



Features

- **Fanless**
- **Wide Power Input Range**
- **Mini Size Outline**
- **Ideal For Vehicle Application**
- **GPS Support (Optional)**
- **GSM/GPRS Support (Optional)**
- **WLAN Support (Optional)**

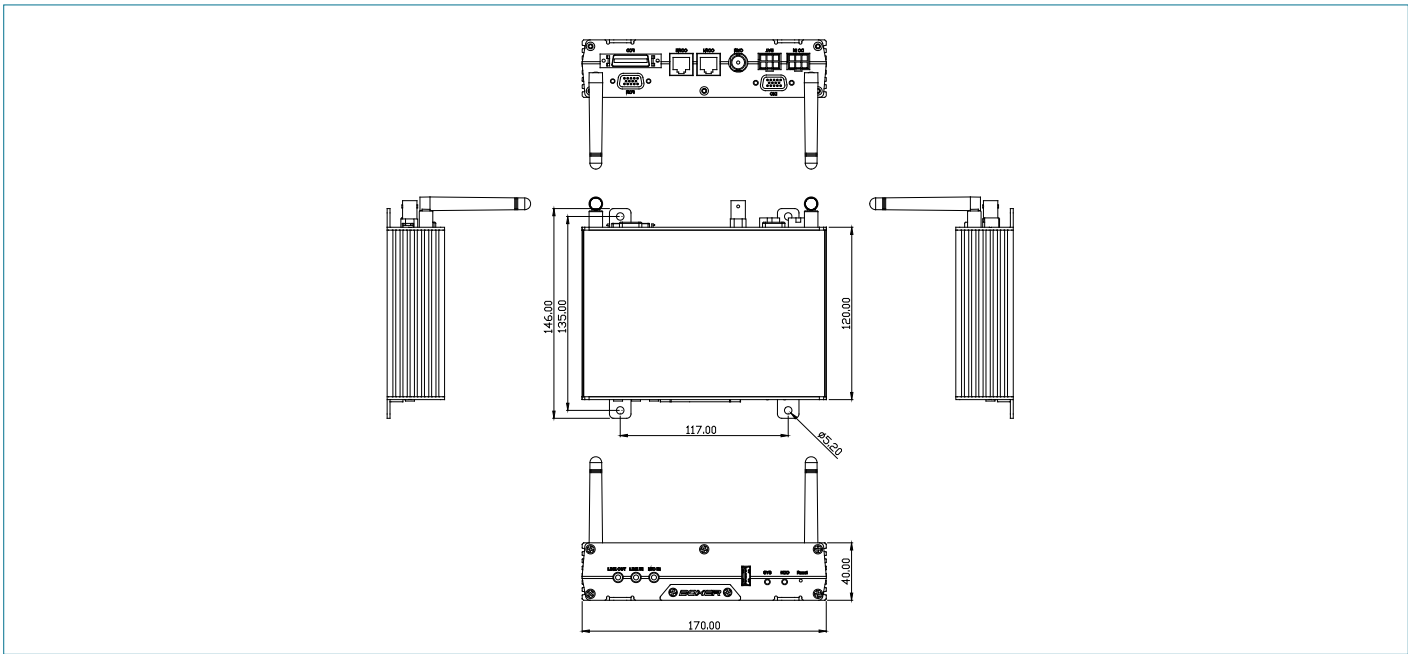


Specifications

System	
Processor	Freescale iMX31
System Memory	128MB DDR SDRAM on board
Video	LCM connector x 1, LCD output
Ethernet	10/100Base-TX, RJ-45 x 1
SSD	SD Slot x 1
Serial	COM1: RS-232
Audio	Line-in, Line-out, Mic-in
USB	USB2.0 x 1
LED Indicator	Power LED x 1, Active LED x 1
Watchdog Timer	Generates a Time-out System Reset, Setting Via Software
Power Supply	DC 12 ~ 24V input
Power Consumption	—
MTBF (Hours)	—
OS Support	WinCE 5.0/6.0
Mechanical	
Construction	Rugged Aluminum Alloy Chassis
Color	Black
Mounting	Wallmount
Dimension	6.7" (W) x 1.6" (H) x 4.7" (D) (170mm x 40mm x 120mm)
Carton Dimension	12.01" (W) x 7.87" (H) x 9.45" (D) (305mm x 200mm x 240mm)
Net Weight	2.2 lb (1kg)
Environmental	
Operating Temperature	-4°F ~ 158°F (-20°C ~ 70°C)
Operating Humidity	5~95%@40°C, non-condensing
Vibration	5g rms / 5 ~ 500Hz / operation
Shock	50G peak acceleration (11 msec. duration) – CFD 20G peak acceleration (11 msec. duration) – HDD
EMC	CE/ FCC class B

AEC-6610

Dimension Unit: mm



Ordering Information

- TBD

Optional Accessories

- TBD