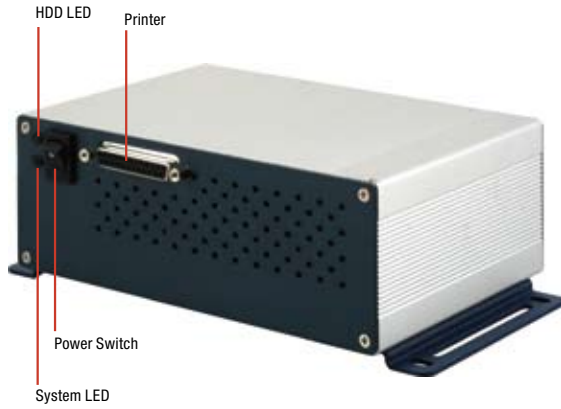


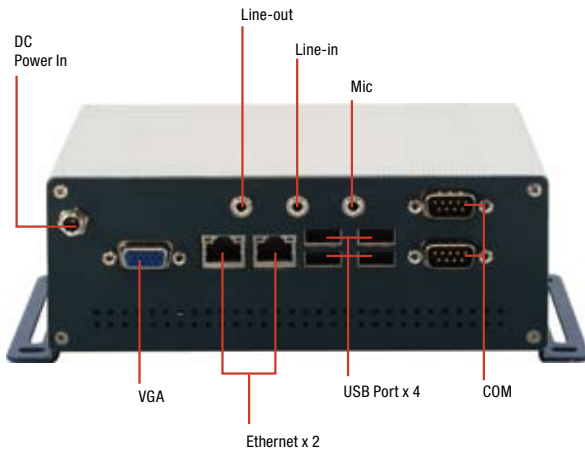
# AEC-6420

Compact Embedded Controller with Intel® Atom™ Low Power Processor

Front View



Rear View



## Features

- Intel® Atom™ N270 1.6GHz Processor
- COM x 2, USB x 4
- Gigabit Ethernet x 2
- Parallel x 1
- VGA Output
- AT Power Mode



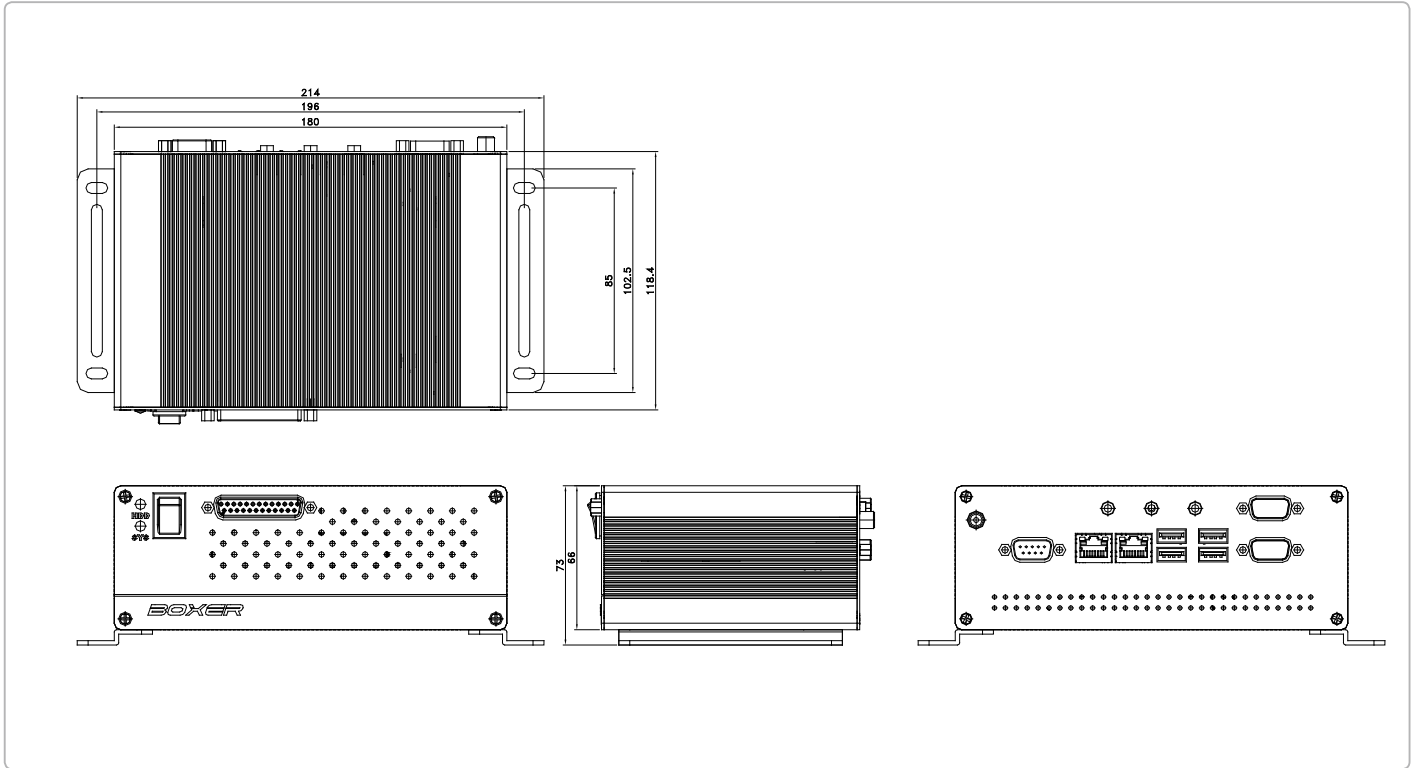
## Specifications

CPU	Intel® Atom™ N270 processor, 1.6 GHz	
Chipset	Intel® 945GSE + ICH7M	
System Memory	DDR2 SDRAM SODIMM x 1, Max. 2 GB	
Display Interface	VGA	DB-15 x 1, shared system memory up to 224MB/ DVMT 3.0
	DVI	—
	Others	—
Storage Device	SSD	—
	HDD	2.5" SATA 1.5Gb/s /IDE Slim Hard Disk Drive bay x 1 (optional)
Network	LAN	Gigabit Ethernet, RJ-45 x 2
	Wireless	—
Front I/O	USB Port	—
	LAN	—
	Serial Port	—
	DIO	—
	Audio	—
	KB/MS	—
	Others	Power Switch x 1, Print Port x 1
	USB Port	USB2.0 x 4
	LAN	RJ-45 x 2
	Serial Port	RS-232 x 1, RS-232/422/485 x 1
Rear I/O	DIO	—
	Audio	Line-in/Line-out/Mic-in x 1
	KB/MS	—
	Others	VGA x 1, Power input x 1
	PCle [x1]	—
	PCI	—
Expansion	Mini Card	—
	Mini PCI	—
	Others	—
	Indicator	Front
	Rear	—
Power Requirement	DC Input 8.5~19V	
Power Consumption	Intel® Atom™ N270, 1.05A @DC 19V	
System Cooling	Passive Cooling	
Mounting	Wallmount	
Operating Temperature	Ambient with Airflow 32°F ~ 122°F (0°C ~ 50°C)	
	No Airflow 32°F ~ 113°F (0°C ~ 45°C)	
Storage Temperature	-4°F ~ 158°F (-20°C ~ 70°C)	
Anti-Vibration	3 g rms / 5 ~ 500Hz / operation – CompactFlash™ or SSD	
Anti-Shock	50 G peak acceleration (11 msec. duration) – CompactFlash™ or SSD	
MTBF	50,000	
Certification	EMC	CE /FCC Class A
	Safety	—
Dimension (W x H x D)	7.1"(W) x 2.6"(H) 4.7"(D) (180mm x 119mm x 66mm)	

# AEC-6420

## Dimension

Unit: mm



Gross Weight	6.16 lb (2.8 Kg)
Note	Windows® XP Embedded, Windows® XP Pro, Windows® CE .net, Windows® Vista

## Ordering Information

- **TF-AEC-6420-A1-1010**  
Embedded Controller, Intel® Atom™ 1.6 GHz, Fanless, DC 8.5 ~ 19V, 512 MB RAM, Dual LAN, LPT, VGA, 2 COM, 4 USB, VGA

## Optional Accessories

- **1757306007**  
Power Adapter, AC 100/240V, DC 12V/5A Output, 60W, with Lock
- **9741642003**  
SATA HDD ASS'Y Kit, for AEC-6420-A1
- **1702031802**  
Power Cord (US Type)
- **1702031803**  
Power Cord (European Type)
- **170203180E**  
Power Cord (Japanese Type)