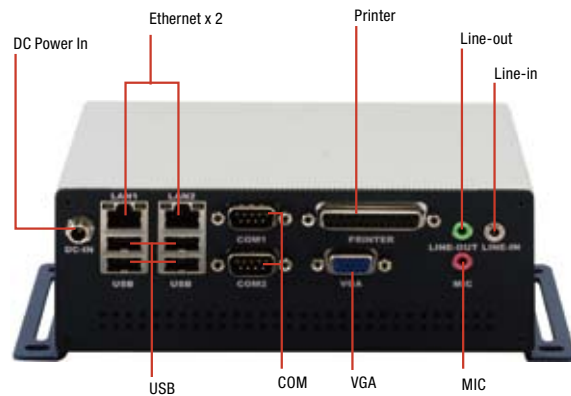


# AEC-6410

Compact Embedded Controller With AMD Geode™ LX800 Processor



## Features

- Fanless Operation
- Compact Design
- AMD Geode™ LX800 Processor
- Low Power Consumption
- PC/104 Expansion



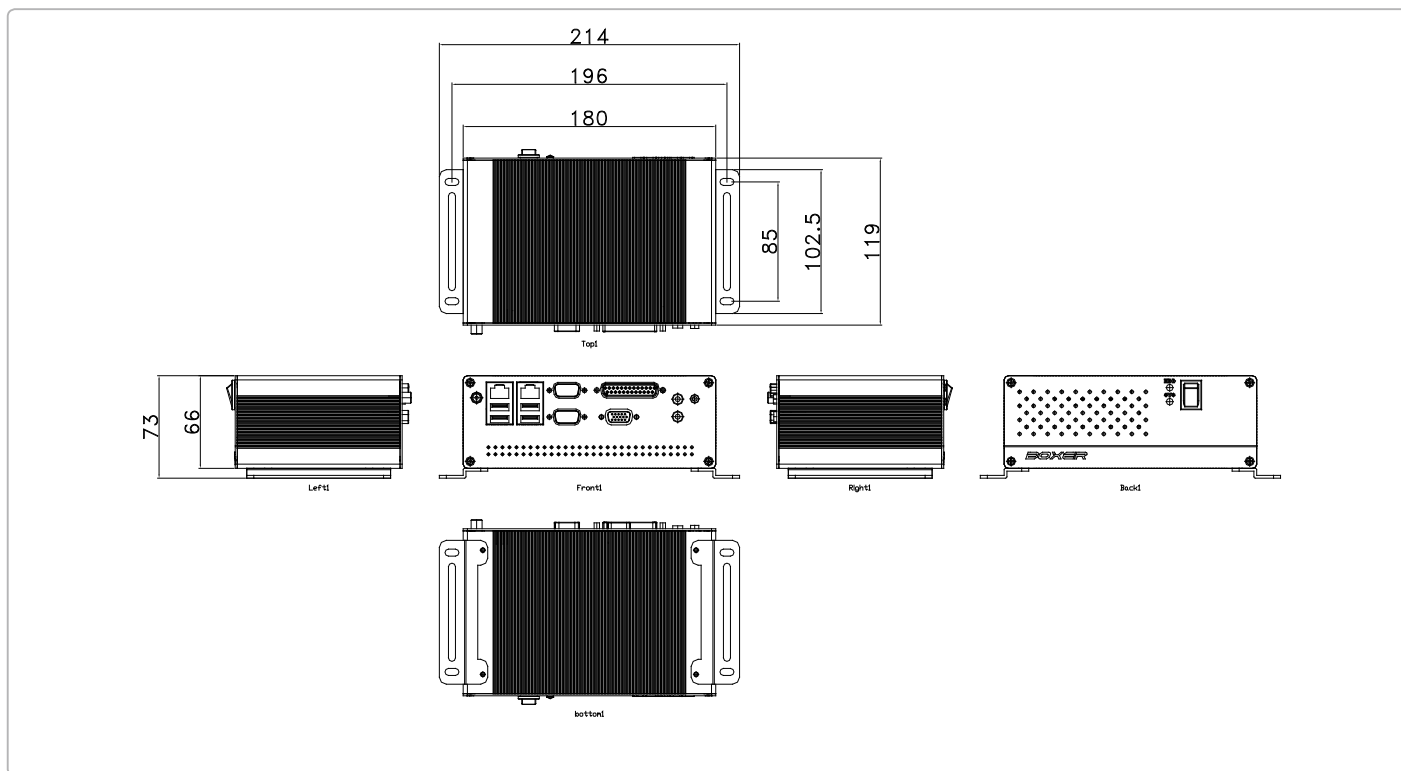
## Specifications

|                       |  |   |
|-----------------------|--|---|
| CPU                   | AMD Geode™ LX800 500 MHz                                   |   |
| Chipset               | AMD Geode™ LX  |   |
| System Memory         | DDR RAM SODIMM x 1, Max. 512 MB                            |   |
| Display Interface     | VGA  | DB-15 x 1, shared system memory up to 254MB           |
|                       | DVI  | —   |
|                       | Others   | —   |
| Storage Device        | SSD  | —   |
|                       | HDD  | 2.5" SATA/IDE Slim Hard Disk Drive bay x 1 (optional) |
| Network               | LAN  | Gigabit Ethernet, RJ-45 x 2                           |
|                       | Wireless   | —   |
| Front I/O             | USB Port   | —   |
|                       | LAN  | —   |
|                       | Serial Port  | —   |
|                       | DIO  | —   |
|                       | Audio  | —   |
|                       | KB/MS  | —   |
|                       | Others   | Power switch x 1                                      |
| Rear I/O              | USB Port   | USB2.0 x 4  |
|                       | LAN  | RJ-45 x 2   |
|                       | Serial Port  | RS-232 x 1, RS-232/422/485 x 1                        |
|                       | DIO  | —   |
|                       | Audio  | Line-in/Line-out/Mic-in x 1                           |
|                       | KB/MS  | —   |
|                       | Others   | VGA x 1, Power inlet x 1, Print Port x 1              |
| Expansion             | PCIe [x1]  | —   |
|                       | PCI  | —   |
|                       | Mini Card  | —   |
|                       | Others   | —   |
| Indicator             | Front  | Power LED x 1, Hard Disk Drive LED x 1                |
|                       | Rear   | —   |
| Power Requirement     | DC Input 12V   |   |
| Power Consumption     | AMD LX800, 0.86A@DC 12V                                    |   |
| System Cooling        | Passive Cooling  |   |
| Mounting              | Wallmount  |   |
| Operating Temperature | 32°F ~ 104°F (0°C ~ 40°C) (LX800/CompactFlash™)            |   |
| Storage Temperature   | 14°F ~ 140°F (-10°C ~ 60°C)                                |   |
| Anti-Vibration        | 5 g rms/ 5~500Hz/ Random Operation - CompactFlash™         |   |
| Anti-Shock            | 50 G Peak Acceleration (11 msec. Duration) - CompactFlash™ |   |
| MTBF                  | 40,000   |   |
| Certification         | EMC  | CE /FCC Class A                                       |
|                       | Safety   | —   |
| Dimension (W x H x D) | 7.1" (W) x 2.6" (H) x 4.7" (D) (180mm x 66mm x 119mm)      |   |
| Gross Weight          | 6.16 lb (2.8 Kg)   |   |
| Note                  | Windows® XP Embedded, Windows® XP, Windows® CE Support     |   |

# AEC-6410

## Dimension

Unit: mm



## Ordering Information

- **TF-AEC-6410-A1-1010**  
Embedded Controller, AMD Geode™ LX800 500 MHz, Fanless, DC 12V, 512 MB RAM

## Optional Accessories

- **1757306004**  
Power Adapter, AC 100/240V, DC 12V/5A Output, 60W, with Lock
- **1702031802**  
Power Cord (US Type)
- **1702031803**  
Power Cord (European Type)
- **170203180E**  
Power Cord (Japanese Type)