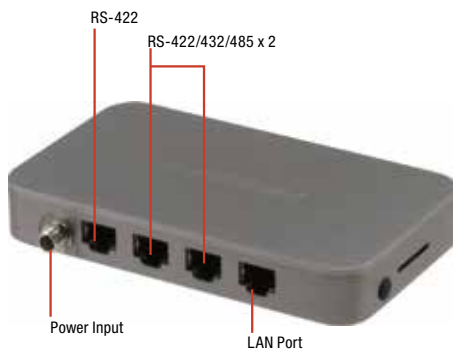
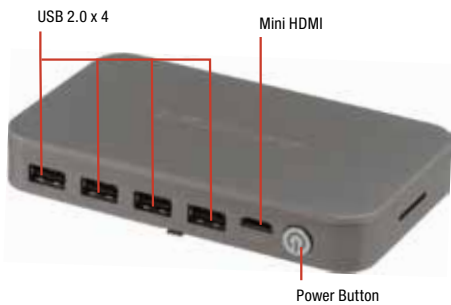


AEC-6401

Compact Embedded Controller with Intel® Atom™ Low Power Processor



Features

- Slim & Fanless Boxer: 20mm Thickness
- Uniform I/O Ports: USB, RJ-45 & Mini HDMI
- HDMI Display
- Wireless Module (802.11 b/g/n, USB Type)
- Aluminum Enclosure
- Intel® Atom™ N2600 1.6GHz Processor



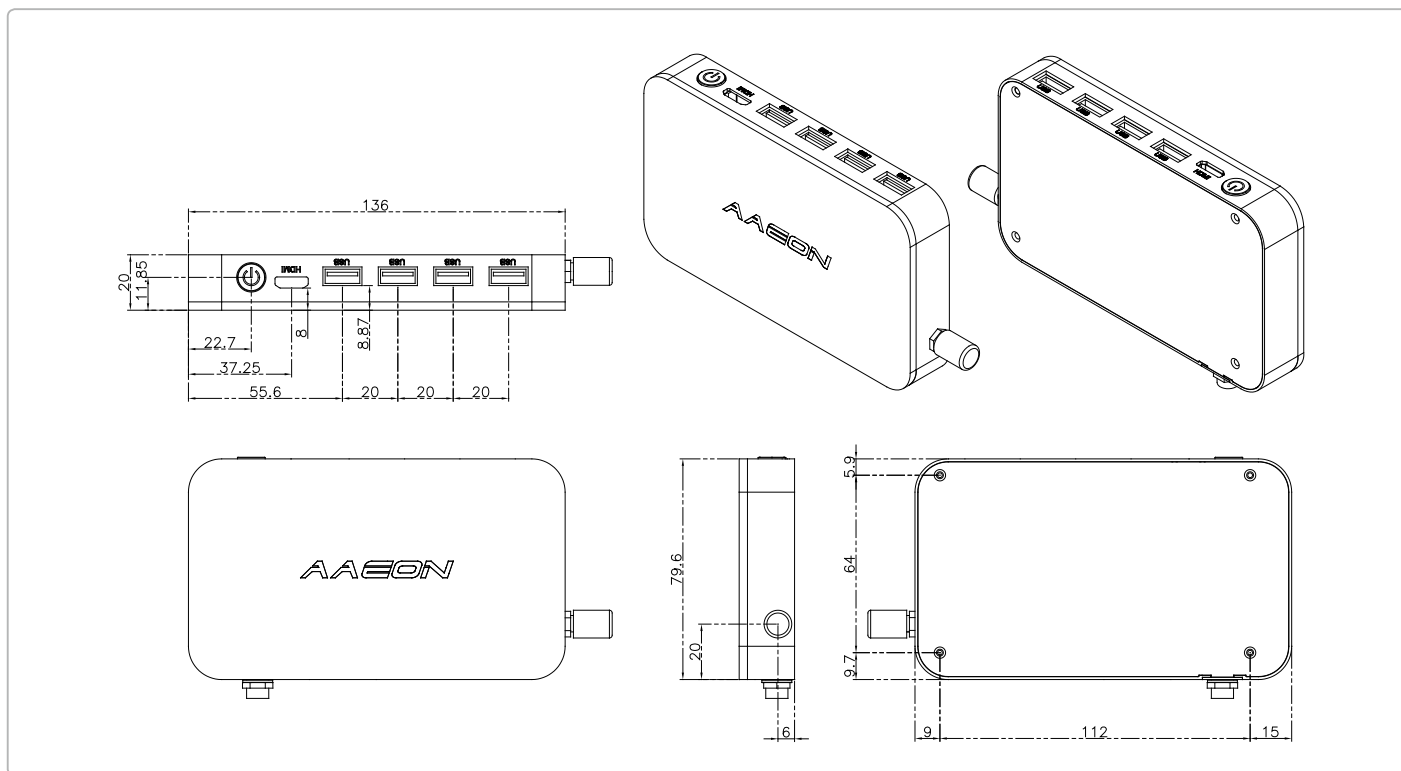
Specifications

CPU	Intel® Atom™ N2600 1.60GHz	
Chipset	Intel® NM10	
System Memory	DDR3 1066 SDRAM SODIMM x 1, up to 2GB	
Display Interface	VGA	—
	DVI	—
	Others	Mini HDMI x 1
Storage Device	SSD	mSATA
	HDD	—
Network	LAN	Gigabit Ethernet
	Wireless	Optional
Front I/O	USB Port	USB 2.0 x 4
	LAN	—
	Serial Port	—
	DIO	—
	Audio	—
	KB/MS	—
	Others	Power Button x 1, mini HDMI x 1
Rear I/O	USB Port	—
	LAN	RJ-45 x 1
	Serial Port	RJ-48 x 3 (RS-232 x 1, RS-232/422/485 x 2)
	DIO	—
	Audio	—
Expansion	KB/MS	—
	Others	Power input x 1
	PCIe [x1]	—
	PCI	—
	Mini Card	—
Indicator	Mini PCI	—
	Others	Onboard USB x 2 for Touch/WiFi
Power Requirement	DC-in 12V	
Power Consumption	Intel® Atom™ N2600 1.6GHz, 0.79A@+12V	
System Cooling	Passive	
Mounting	Wallmount/Din-rail	
Operating Temperature	32°F ~ 104°F (0°C ~ 40°C) w/o Airflow 32°F ~ 131°F (0°C ~ 50°C) w/ Airflow	
Storage Temperature	-4°F ~ 158°F (-20°C ~ 70°C)	
Anti-Vibration	3g rms/ 5 ~ 500Hz/ operation – CFD 1g rms/ 5 ~ 500Hz/ operation – HDD	
Anti-Shock	50G peak acceleration (11 msec. duration) – CFD 20G peak acceleration (11 msec. duration) – HDD	
MTBF	50,000	
Certification	EMC	CE /FCC Class A
	Safety	—
Dimension (W x H x D)	4.92"(W) x 3.03"(H) x 0.79"(D) (125mm x 77mm x 20mm)	
Gross Weight	2.64 lb (1.2 Kg)	
Note	—	

AEC-6401

Dimension

Unit: mm



Ordering Information

Part Number	CPU	RAM	LAN	USB 2.0	RS-232	RS-232/422/485	DIO	Storage	Display	Expansion	Mounting	Power	Operation temp.
AEC-6401-A1-1010	Intel® N2600	Up to 2GB	1	4	1	2	—	Half-size mSATA x 1	Mini HDMI	Wifi b/g/n (USB signal)	Din Rail/VESA 75/100	12V DC in	0°C–50°C (with air)
AEC-6401-A2-1010	Intel® N2600	Up to 2GB	1	4	1	2	—	Half-size mSATA x 1	Mini HDMI	Wifi b/g/n (USB signal and build inside already)	Din Rail/VESA 75/100	12V DC in	0°C–50°C (with air)

Packing List

- Anti-Heat Kit
- RJ-45 to COM Cable x 3
- Mini HDMI to HDMI Cable
- Power Adapter
- Product CD
- AEC-6401

Optional Accessories

- **M276401000**
Anti-Heat Kit
- **1700090156**
RJ-45 to COM Cable
- **1700190500**
Mini HDMI to HDMI Cable
- **1757306007**
Power Adapter