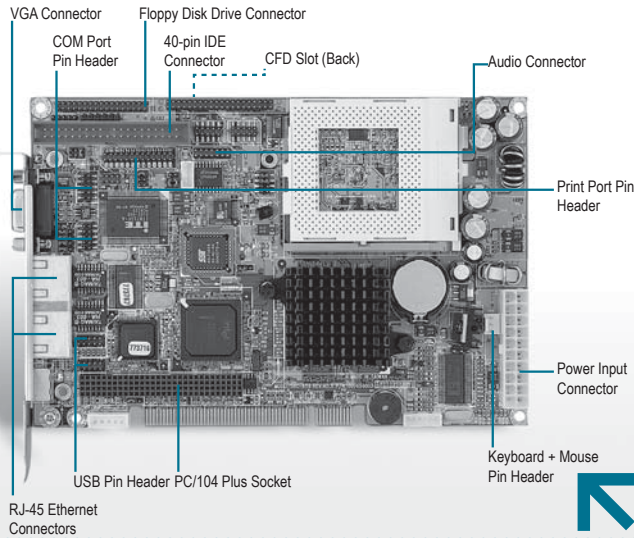


Intel® Pentium® III 1.4GHz and Celeron® Processors

02

Half-size SBCs - PCI



Features

- **Socket 370-based Intel® Pentium® III and Celeron® Processors**
- **SDRAM up to 512MB**
- **Integrated Intel® 815E VGA Support**
- **10/100 Base-TX Ethernet Port x 2**
- **AC97 High-quality Audio**
- **Socket is PCI-104**
- **Type II CompactFlash™ Memory**
- **COM x 2/ USB x 4**



Specifications

System	
Processor	Socket 370-based Intel® Pentium® III and Celeron® processors (.13µ/18µ) support up to 1.4GHz with FSB 66/100/133MHz
System Memory	144-pin SDRAM SODIMM x 1, Max, 512MB (PC 66/100/133)
Chipset	Intel® 815E + 82801BA (ICH2)
Ethernet	Intel® GD82559 + 82562, 10/100Base-TX RJ-45 connector x 2
BIOS	AWARD 512KB FLASH ROM
H/W Status Monitoring	Supports power supply voltages, fan speed and temperature monitoring
IDE Interface	ATA-100 x 1
SSD	Type II CompactFlash™ slot x 1
Expansion Interface	PCI interface, Socket is PCI-104
Watchdog Timer	Generates a time-out system reset
RTC	Internal RTC
Battery	Lithium battery
Power Requirement	AT/ATX
Operating Temperature	32°F ~ 140°F (0°C ~ 60°C)
Board Size	7.3" (L) x 4.8" (W) (185 mm x 122 mm)
Gross Weight	0.7 lb (0.3 kg)
MTBF (Hours)	122,030
Power Consumption (Typical)	N/A
Display	
VGA Controller	Intel® 815E
Memory	Shared system memory up to 8MB
Resolutions	1280x1024@24bpp colors for CRT
I/O	
Serial Port	Two COM Ports (Internal Pin Header, External D-sub x 2) COM1 : RS-232 COM2 : RS-232/422/485
Parallel	Supports SPP/EPP/ECP modes
USB	Two 5 x 2-pin headers support 4 USB 1.1 ports
Floppy Drive Interface	Standard Floppy Disk Drive x 1
Keyboard & Mouse	Mini-DIN PS/2 Keyboard and Mouse connector x 1 Internal Keyboard pin header x 1
IrDA	IrDA TX/Rx header x 1
Audio	Mic-in, Line-in, Line-out/ Speaker-out

Packing List

- **1701400453**
ATA100 Cable
- **1701340600**
Floppy Disk Drive Cable
- **1701010302**
Parallel+Serial Port Cable
- **1700060192**
Keyboard and Mouse Cable
- **1709140301**
Audio+Serial Port Cable
- **1709100201**
USB Cable
- **P90657B000**
CFD Cover
- **Quick Installation Guide**
- **Utility CD**
- **SBC-659**

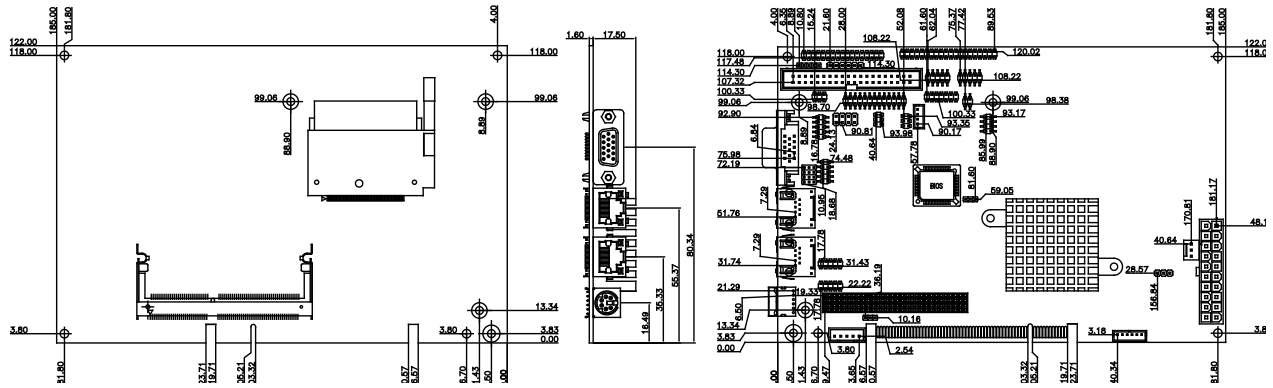
Ordering Information

- **SBC-659-B11**
Half-size CPU Card, FC/Socket 370, Dual LAN, Rev.B1.1

Optional Accessories

- **1759200152**
CPU Cooler Fan + Heat Sink, FCPGA, 3P, 12V, 1U Low Profile
- **1759200329**
CPU Cooler, for Socket 370, 3P, 12V, H=22mm
- **1702200201**
Conversion Cable for ATX to AT Power Supply (200mm) for HSB-657/660, MB-662, PCM-6892/6893/6898, SBC-657/659/659P/780

Dimension Unit: mm



Passive Backplane Options

P/N	Description	Master Interface	Slots (PCI/ ISA/ PICMG_PCI)	Power Connector, ATX Extend Function
TF-BP-208SP-P7-A10	Wallmount, PCI, 8-slot Backplane, 7 PCI, Single Segment, ATX, Rev.A1.0	PCI	(7/0/1)	ATX, 3-pin ATX extend
TF-BP-206SP-P4-A10	Wallmount, PCI, 6-slot Backplane, 4 PCI, Single Segment, ATX, Rev.A1.0	PCI	(4/0/2)	ATX, 3-pin ATX extend
TF-BP-205SP-P4-A12	Wallmount, PCI, 5-slot Backplane, 4 PCI, Single Segment, ATX, Rev.A1.0	PCI	(4/0/1)	ATX, 3-pin ATX extend
TF-BP-204SP-P3-A11	Wallmount, PCI, 4-slot Backplane, 3 PCI, Single Segment, AT/ATX, Rev.A1.1	PCI	(3/0/1)	ATX, 3-pin ATX extend