

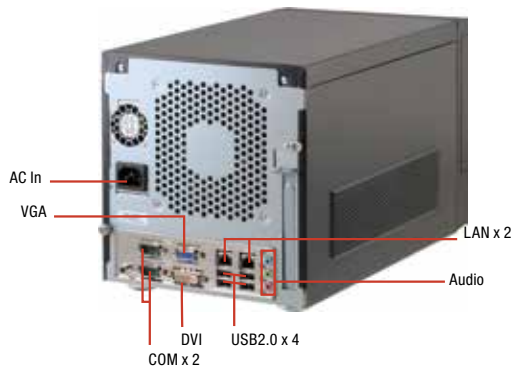
Front View



Front Open View



Rear View



Features

- Integrated Intel® Atom™ Processor D2550 Dual Core 1.83GHz
- Intel® ICH10R
- Single Channel with 204-pin DDR3 1066/800MHz DIMM x 2, up to 4GB, non-ECC, Un-buffered Memory
- 10/100/1000Base-TX Ethernet Port x 2
- 3.5" or 2.5" SATA HDD Hot Swappable Tray x 4
- COM x 2, USB2.0 x 6



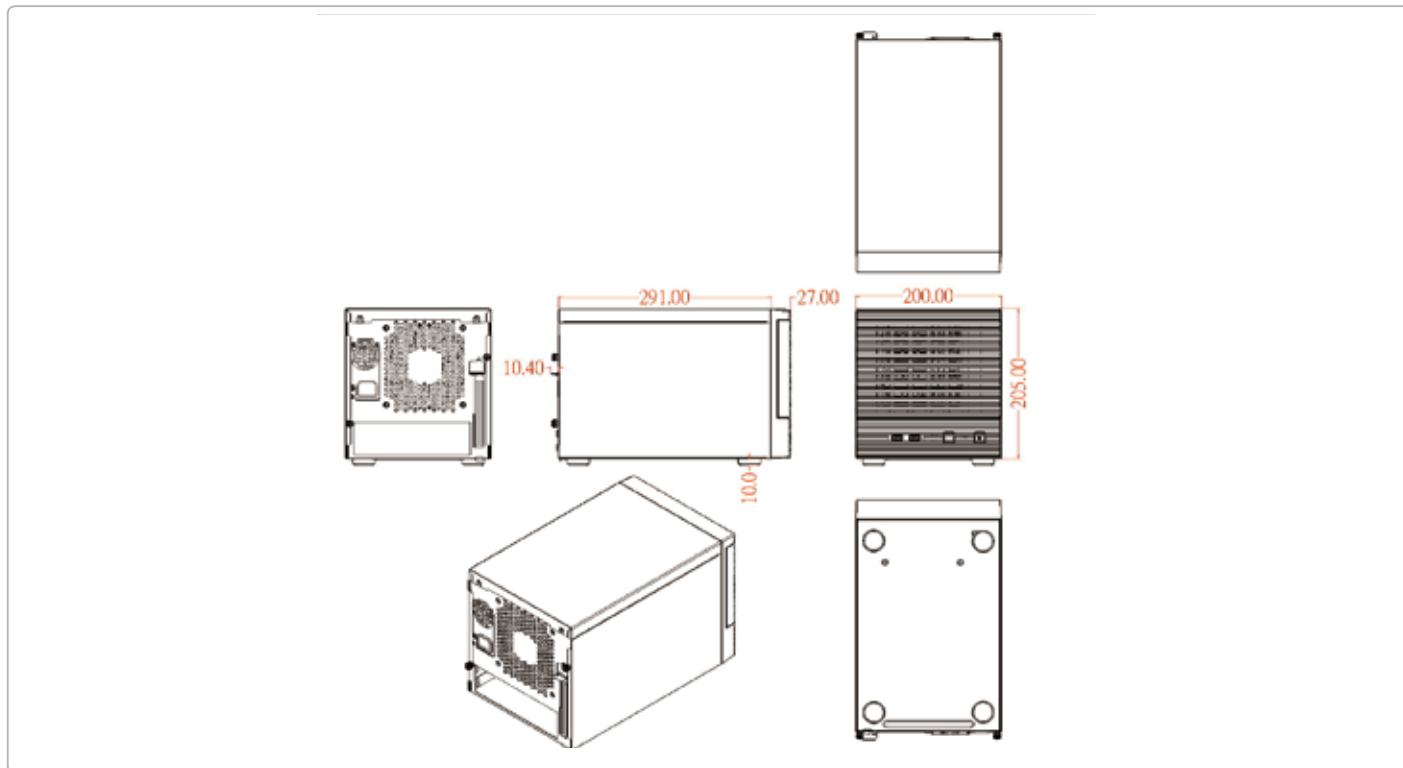
Specifications

System	
Form Factor	Standalone NVR System
Processor	Onboard Intel® Atom™ Processor D2550 Dual Core 1.83GHz
System Memory	204-pin DDR3 1066/800MHz SODIMM x 2, up to 4GB
Chipset	Intel® ICH10R
Ethernet	Intel® 10/100/1000Base-TX x 2
BIOS	AMI Plug & Play BIOS - 32MB SPI
Serial ATA	SATA x 6
Wake on Lan	—
Hardware Status Monitor	Support Power Supply Voltage, Fan Speed and Temperature Monitoring
Expansion Interface	PCI-E [x4] x 1
Watchdog Timer	Programmable 1~255 steps System reset
Storage	3.5" or 2.5" removable SATA HDD Tray x 4
System Fan	Ball Bearing Fan x 1
Front I/O Panel	Power Button x 1, Reset Button x 1 Power & HDD LED, USB2.0 Port x 2
Rear I/O Panel	VGA x 1, DVI-D x 1, RJ-45 x 2 USB 2.0 Port x 4, Audio jack x 3
Color	Black
RAID support	0/1/5/10
Power Supply	200W AC Power Input
Dimension	7.87" x 9.84" x 11.93" (200mm x 250mm x 303mm)
Power Consumption	—
MTBF (Hours)	118,000
Display	
Chipset	Intel® ICH10R
Resolution	CRT: up to 1920 x 1200 @60Hz LVDS: up to 1440 x 900 @60Hz DVI: up to 1920 x 1200 @ 60Hz
I/O	
Storage	SATA 3.0Gb/s x 6
Serial Port	COM x 2
USB	USB2.0 port x 6
Environment	
Operation Temperature	32 °F ~ 104 °F (0 °C ~ 40 °C)
Storage Temperature	-4 °F ~ 140 °F (-20 °C ~ 60 °C)
Operation Humidity	10% ~80% relative humidity, non-condensing
Storage Humidity	10% ~80% @ 40°C, non-condensing

NVR-CV

Dimension

Unit: mm



Ordering Information

Part Number	Chipset	RAM	Cooler	Storage	Display	LAN	USB	KB/MS	Audio	Expansion Slot	Mounting	Power
NVR-CV-A10	Intel® D2550 + ICH10R	204-pin SODIMM	Heatsink	3.5" or 2.5" SATA HDD Hot Swappable x 4	VGA x 1 + DVI-D x 1	GbE x 2	USB2.0 x 6	No	Mic-In, Line-In, Line-Out	PCI-E [x4] x 1	Desktop	200W AC Power

Packing List

- HDD Tray Lock Key
- NVR-CV

Optional Accessories

- **1702031802**
(TF) Power Cord, 3P-125V 10A 180D, 1.8M, USA & Taiwan
- **1702031803**
(TF) Power Cord, 3P-250V 10A 180D, 1.8M, Europe
- **170203180B**
(TF) Power Cord, 3P(M), 3P(F), 1.8m, 250V, 10A, CHINA
- **9783320003**
(TF) 3.5" HDD, 320GB, SATA-3, 7200RPM, WD, WD3200AAKX
- **14D6C04G01**
(TF) 4GB, DDR3, Non-ECC, CL7 SODIMM, 1066MHz, DSL
- **968C004G05**
(TF) SATA DOM, 4GB, 7 Pin, MXSSD2MJTD4G-V