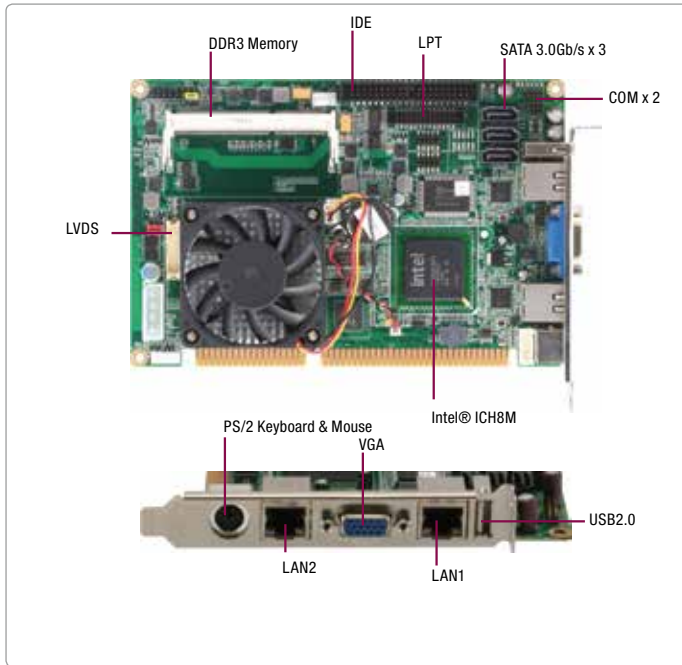


HSB-LN2I

ISA Half-Size SBC with Intel® Atom™ D525/N455 Processor



Features

- Intel® Atom™ D525/N455 Processor
- Intel® ICH8M
- 204-pin DDR3 800MHz SODIMM Memory x 2, Up to 4GB (D525), Up to 2GB (N455)
- Gigabit Ethernet x 2
- Intel® Atom™ D525/N455 Integrated VGA, Shared Memory Up To 324MB with DVMT4.0
- Optional HD Codec Audio Daughter Board
- SATA 3.0Gb/s x 3, CompactFlash™ Type 2, ATA100 x 1
- USB2.0 x 5, RS-232/422/485 x 1, RS-232 x 1
- ISA Expansion
- +5V, +12V Operation, AT Power



Specifications

System	
Form Factor	ISA Half-Size SBC
Processor	Intel® Atom™ D525/N455
System Memory	204-pin DDR3 800MHz SODIMM x 2, up to 4GB(D525)/ 2GB(N455)
Chipset	Intel® ICH8M
Ethernet	10/100/1000Base-TX Ethernet x 2
BIOS	AMI Plug & Play SPI BIOS – 4 MB ROM
Storage	ATA100 x 1, SATA 3.0Gb/s x 3
SSD	CompactFlash™ Type 2 socket x 1
Watchdog Timer	1 ~ 255 steps, can be set with software on Super I/O
H/W Status Monitoring	Monitoring system temperature, voltage, and cooling fan status
Expansion Interface	ISA
Power Requirement	+5V, +12V by ISA bus, onboard 4-pin power connector (+5V, +12V)
Power Consumption	16W @ Intel® Atom™ D525, DDR3 1066/1GB, DC
Dimension (W x H x D)	7.3" x 4.8" (185mm x 122mm)
Gross Weight	0.71 lb (0.3 Kg)
Operating Temperature	32°F ~ 140°F (0°C ~ 60°C)
Storage Temperature	-4°F ~ 158°F (-20°C ~ 70°C)
Operating Humidity	10~80%, non-condensing
MTBF (Hours)	73,000
Display	
Chipset	Intel® Atom™ D525 + ICH8M or N455 + ICH8M
Graphic Engine	Intel® Atom™ D525 integrated VGA, Shared memory up to 324MB with DVMT4.0
Resolution	2048 x 1536 @ 60Hz for CRT; 1366 x 768 @ 60Hz for LCD
Output Interface	VGA x 1, 18-bit Single Channel LVDS x 1
I/O	
Storage	SATA 3.0Gb/s x 3, CompactFlash™ x 1, ATA100 x 1
Serial Port	RS-232 x 1, RS-232/422/485 x 1
PS/2 Port	KB & Mouse x 1
USB	USB2.0 x 5 (5x2 pin-header x 2, Type A x 1)
Audio	HD Codec Audio Daughter Board (optional)
Ethernet	RJ-45 x 2
Display	VGA x 1, LVDS x 1
DIO	8-bit Programmable

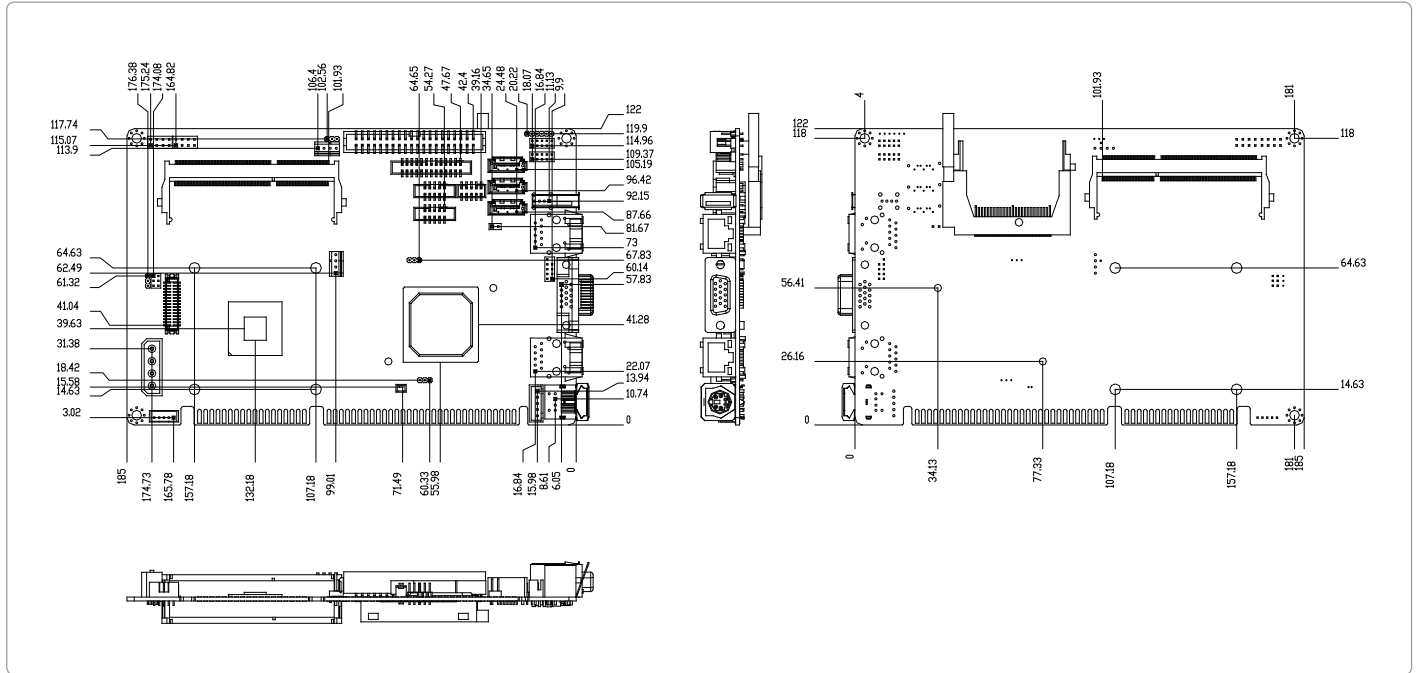
Packing List

- **9681666600**
Cable Kit for HSB Series
- **1709070800**
SATA Cable
- **Product CD**
- **HSB-LN2I**

HSB-LN2I

Dimension

Unit: mm



Passive Backplane Options

P/N	Description	Master Interface	Slots (PCI/ISA/PICMG_PCI)	Power ATX Extend Function
TF-BP-204SI	Wallmount, ISA, 4-slot Backplane, 4 ISA, Single Segment, AT	ISA	(0/4/0)	AT
TF-BP-206SI	Wallmount, ISA, 6-slot Backplane, 6 ISA, Single Segment, AT/ATX	ISA	(0/6/0)	AT/ATX
TF-BP-214SI	Rackmount, ISA, 14-slot Backplane, 14 ISA, Single Segment, AT	ISA	(0/14/0)	AT

Ordering Information

Part Number	CPU	RAM	Fan/Fanless	Display	Storage	LVDS	LAN	USB	RS-232	RS-232/422/485	Expansion Slot	Power	Temp.
TF-HSB-LN2I-A12-G2-00	Intel® Atom™ D525	SODIMM	Fan	VGA + LVDS	SATA2 x 3, IDE x 1, CF x 1	18b, 1CH	GbE x 2	USB2.0 x 5	1	1	ISA	+5V, +12V, AT	0°C ~ 60°C
TF-HSB-LN2I-A12-G2-01	Intel® Atom™ N455	SODIMM	Fanless	VGA + LVDS	SATA2 x 3, IDE x 1, CF x 1	18b, 1CH	GbE x 2	USB2.0 x 5	1	1	ISA	+5V, +12V, AT	0°C ~ 60°C

Optional Accessories

- TF-PER-U01H
HD Code Audio Daughter Board