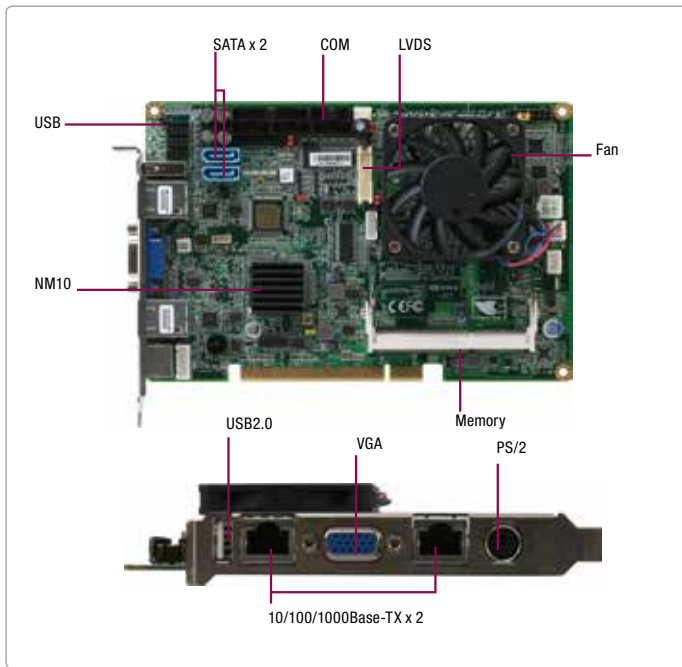


HSB-CV1P

PCI Half-Size SBC with Intel® Atom™ D2550/N2600 Processor



Features

- Onboard Intel® Atom™ D2550/N2600 Processor
- Intel® NM10
- DDR3 800/1066MHz SODIMM x 1, Up to 4GB (D2550), 2GB (N2600)
- Intel® Graphics Media Accelerator Supports DirectX 10, OpenGL 3.0
- HD Codec Audio Daughter Board (Optional)
- Gigabit Ethernet x 2
- USB 2.0 x 8
- COM x 4 (RS-232 x 3, RS-232/422/485 x 1)
- SATA 3.0Gb/s x 2, Digital I/O, Parallel Port x 1, IrDA Port x 1
- Up to 24-bit Single Channel LVDS (N2600 Supports 18-bit Single Channel Only)

Note: The IrDA function will be disabled under Windows® 7 Operating System.



Specifications

System	
Form Factor	PCI Half-Size SBC
Processor	Onboard Intel® Atom™ D2550/N2600 1.86/1.6GHz Processor
System Memory	DDR3 800/1066MHz SODIMM x 1, up to 4GB
Chipset	Intel® NM10
I/O Chipset	Fintek 81866F
Ethernet	Realtek 8111E for 10/1000/1000Base-TX, RJ-45 x 2
BIOS	AMI BIOS, core revision 6.0
Wake On LAN	Yes
Watchdog Timer	1~255 steps, can be set with software on Super I/O
H/W Status Monitoring	Supports Power Supply Voltage, Fan Speed and Temperature Monitoring.
Expansion Interface	PCI
Battery	Lithium battery
Power Requirement	ATX +12V (4 pin power connector)
Power Consumption (Typical)	Intel® Atom™ D2550 1.86GHz, DDR3 4GB 1.7A @12V
Board Size	7.3" x 4.8" (185mm x 122mm)
Gross Weight	0.75 lb (0.35 Kg)
Operation Temperature	32 °F ~ 140 °F (0 °C ~ 60 °C)
Storage Temperature	-4°F ~ 158°F (-20 °C ~ 70 °C)
Operation Humidity	0% ~ 80% relative humidity, non-condensing
MTBF (Hours)	88,000
Display	
Supports CRT & LCD simultaneous display	
Chipset	Intel® NM10
Display Engine	Intel® Graphics Media Accelerator supports DirectX 10, OpenGL 3.0
Output Interface	VGA x 1, LVDS x 1 (Support up to 24-bit single channel)
Resolution	Up to 1920 x 1200 for CRT Up to 1440 x 900, (D2550) 18-bit & 24-bit Single channel for LVDS Up to 1366 x 768, (N2600) 18 bit single channel for LVDS
I/O	
Fintek 81866F	
Storage	SATA 3.0Gb/s x 2
Serial Port	RS-232 x 3, RS-232/422/485 x 1
Parallel Port	SPP/EPP/ECP Mode
USB	USB 2.0 x 1
Ethernet	RJ45 x 2
Digital I/O	Onboard programmable 8-bit Digital I/O interface (4 input / 4 output)
PS/2 Port	Mini-DIN PS/2 K/B and Mouse x 1
IrDA	IrDA header x 1
Audio	High Definition Codec Audio daughter board (optional)

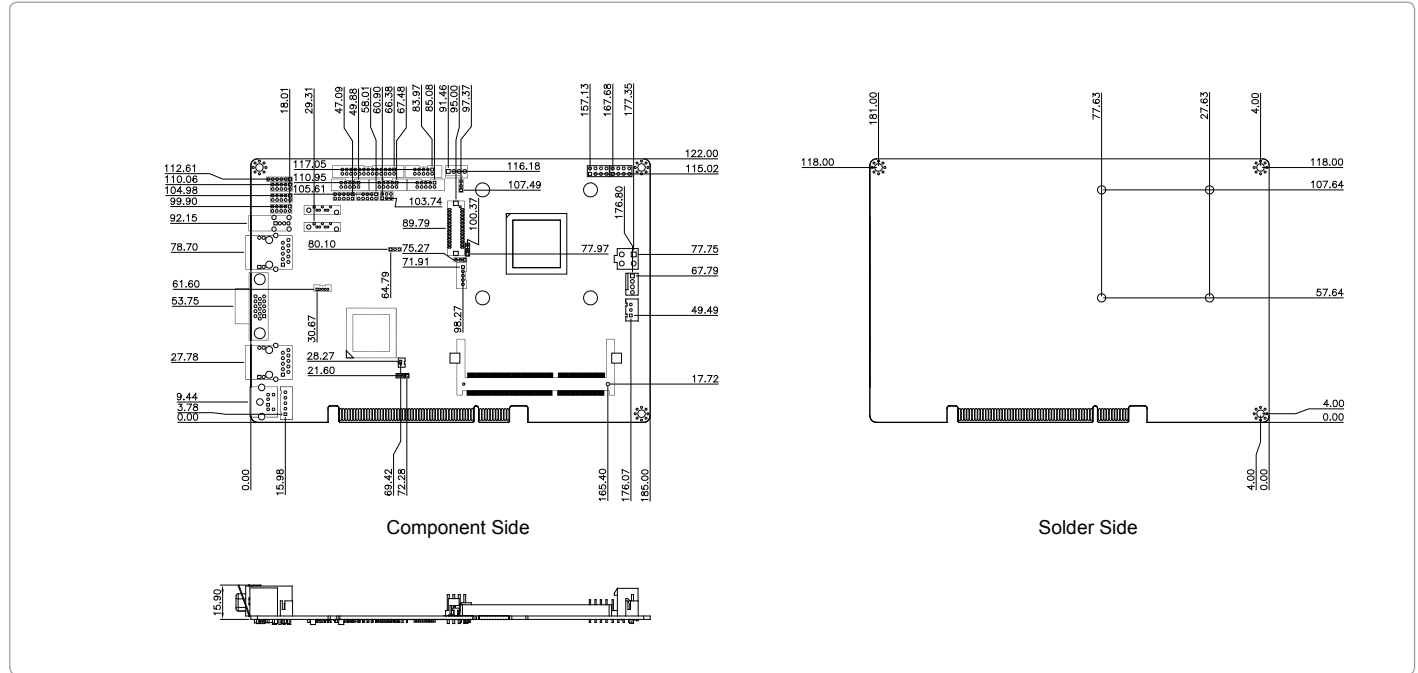
Packing List

- Cable Kit for HSB Series
- SATA Cable
- USB Cable
- Product CD
- HSB-CV1P

HSB-CV1P

Dimension

Unit: mm



Passive Backplane Options

P/N	Description	Master Interface	Slots (PCI / ISA / PICMG_PCI)	Power ATX Extend Function
TF-BP-206SP-P4	Wallmount, 6-slot Backplanes, 4 PCI, Single Segment, ATX	PCI	(4/0/2)	ATX, 3-pin ATX Extend
TF-BP-205SP-P4	Wallmount, 5-slot Backplanes, 4 PCI, Single Segment, ATX	PCI	(4/0/1)	ATX, 3-pin ATX Extend
TF-BP-204SP-P3	Wallmount, 4-slot Backplanes, 3 PCI, Single Segment, AT/ATX	PCI	(3/0/1)	AT/ATX, 3-pin ATX Extend

Ordering Information

Part Number	CPU	RAM	Fan/Fanless	Display	Storage	LVDS	LAN	USB	RS-232	RS-232/422/485	Expansion Slot	Power	Temp.
TF-HSB-CV1P-A12-G2-00	Intel® D2550	SODIMM	With Fan	VGA + LVDS	SATA2 x 2	18/24b, 1CH	GbE x 2	USB2.0 x 8	3	1	PCI	ATX	0°C ~ 60°C
TF-HSB-CV1P-A12-G2-01	Intel® N2600	SODIMM	Fanless	VGA + LVDS	SATA2 x 2	18b, 1CH	GbE x 2	USB2.0 x 8	3	1	PCI	ATX	0°C ~ 60°C

Note:

Intel® Atom™ Processor D2000 series and N2000 series (CV) do NOT support DMA function that may affect ECP mode of Parallel port.

Optional Accessories

• TF-PER-U01H-A10

High Definition Codec Audio Daughter Board, Rev. A1.0