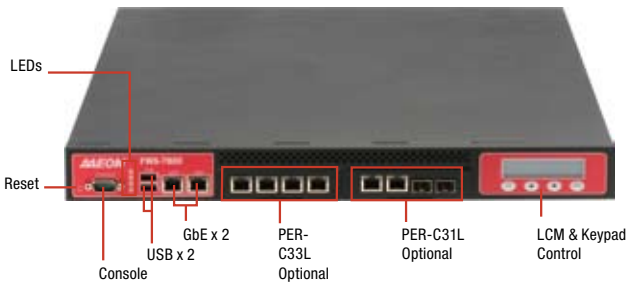


FWS-7800

1U Intel® Xeon 3400 Series Network Appliance

Front View



Rear View



Features

- 1U Rackmount 10 LAN Ports Network Appliance
- Intel® Xeon Quad Core™ 3400 Series Up To 2.67 GHz
- 240-Pin Dual-Channel ECC DDR3 1066/1333 SDRAM DIMM x 4 (Up To 16 GB)
- Optional Fiber Ethernet x 4 or Gigabit Ethernet x 6 (4 Ports Bypass Function)
- Ultra ATA 100 Port x 1, SATA 3.0Gb/s x 5
- CompactFlash™ Type 2 x 1, Mini-PCI Type 3 x 1
- 300W Power With Auto Range Input
- USB2.0 x 6 (Pin Header x 4, Type A Port x 2 On Front Panel)
- Parallel LCM With Keypad x 1, RS-232 Console x 1 On Front Panel
- Watchdog Function 1~255 Sec.
- 3.5" Internal Disk Drive Bay x 1, Dual 2.5" Internal Disk Drive Bay x 1 (Optional)



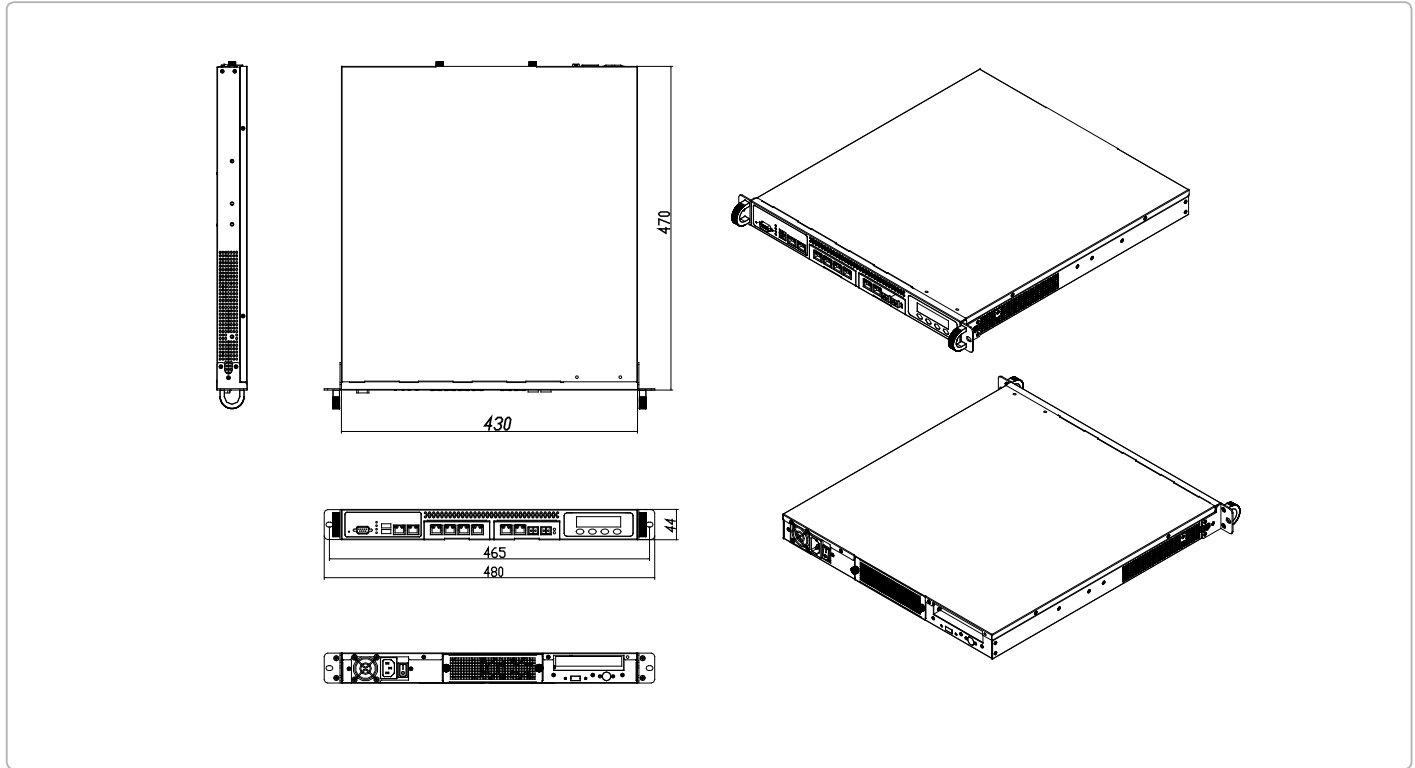
Specifications

System	
Form Factor	1U 10-port Network Appliance
Processor	Intel® 45 nm Quad Core™ Xeon 3400 Series LGA1156
System Memory	240-Pin Dual-Channel ECC DDR3 1066/1333 DIMM Socket x 4, total up to 16 GB
Chipset	Intel® 3450
Ethernet (Optional)	10/100/1000Base-TX Ethernet w/ Intel® 82573L x 4 10 Gigabit Fiber LAN w/ Intel® 82599ES, SFP+ x2 Gigabit Fiber LAN w/ Intel® 82571EB, SFP x2
BIOS	AMI BIOS 64 Mb SPI ROM
Serial ATA	SATA 3.0Gb/s x 5
SSD	CompactFlash™ Type 2 Connector (ATA Mode)
Expansion Interface	Mini-PCI Type 3 Socket
Watchdog Timer	1~255 steps, can be set with software on Super I/O
RTC	Internal RTC
Storage	Internal: 3.5" Hard Disk (SATA or IDE) x 1
System Fan	4cm Ball Bearing Fan (optional)
Front I/O Panel	Power LED x 1 Bypass LED x 1 Status LED x 1 HDD Active LED x 1 LAN LED x 20 (optional) USB2.0 x 2 LAN x 10 (optional) DB-9 x 1 LCM Display x 1 Reset Button x 1
Color	Black
LCM	16 x 2 characters with 4 keypad control
Power Supply	1U 300W w/ auto range input
Dimension	16.9" x 8.5" x 1.73" (430mm x 470mm x 44mm)
Power Consumption	95W, Intel® Xeon X3450 2.67 GHz
MTBF (Hours)	—
Display	
VGA Controller	Pin header reserved for Graphic display
I/O	
Serial Port	COM port x 2: (Internal Pin Header x 1) COM 1: RS-232 COM 2: RS-232 (Pin Header)
K/B and Mouse	Reserved pin header
Universal Serial Bus	USB2.0 x 6: Dual TYPE-A Connector on front panel x 2 Pin Headers x 4 (Internal)
Real I/O panel	PCI-E [x1]/ PCI-X/ PCI Expansion slot x 1 (optional)

FWS-7800

Dimension

Unit: mm



Environment	
Operating Temperature	32°F ~ 104°F (0°C ~ 40°C)
Storage temperature	-4°F ~ 140°F (-20°C ~ 60°C)
Operating humidity	10 ~ 80%
Storage humidity	10 ~ 80% @ 40°C, non-condensing
Vibration	0.5 g rms/ 5 ~ 500 Hz/ operation (3.5" Hard Disk Drive)
Shock	10 G peak acceleration (11 m sec. duration), operation

Packing List

- **1702151200**
HDD Power Cable x 1
- **1709070200**
SATA Cable x 2
- **1700091803**
D-SUB 9-pin Cable x 1
- **9761816061**
Ear Bracket Module, Black
- **M167800000**
CPU Heatsink 85 x 85 x 26 mm
- **Product CD**
- **FWS-7800**

Optional Accessories

- **1700060150**
PS2 KB/MS Cable
- **M02666600**
Slide x 2, for Rackmount Usage
- **PER-C31L-A10-01**
2 Fiber LAN + 2 Cooper LAN Module
- **PER-C31L-A10-02**
2 Fiber LAN Module
- **PER-C33L-A10-01**
4 Cooper GbE LAN, PCI-E [x4] interface
- **PER-C33L-A10-02**
4 Cooper GbE LAN, PCI-E [x4] & PCI-E [x1] interface
- **PER-C35L-A10**
2 10Gigabit Fiber LAN Module
- **1702031803**
Power Cord, 3P-250V/10A, 180D, 1.8M, VDE, YP22/YP12
- **1702031802**
Power Cord, 3P-250V/10A, 180D, 1.8M, USA, YP22/YP12
- **170203180E**
Power Cord, 3P-25V/7A, 180D, 1.8M, PSE, YP12/YP12

Ordering Information

Part Number	CPU	RAM	Cooler	Storage	Display	LAN	USB	RS-232	RS-232/422/485	KB/MS	Audio	DIO	Expansion Slot	Mounting	Power
TF-FWS-7800S2-H30-A10	Intel® 3450	DIMM	Fan	3.5" HDD Bay x 1	VGA (Pin Header)	GbE x 2	USB 2.0 x 2	1	0	—	—	—	1 Slot	1U Rackmount	ATX
TF-FWS-7800S2-H30-A10-01	Intel® 3450	DIMM	Fan	2.5" HDD Bay x 2	VGA (Pin Header)	GbE x 2	USB 2.0 x 2	1	0	—	—	—	1 Slot	1U Rackmount	ATX