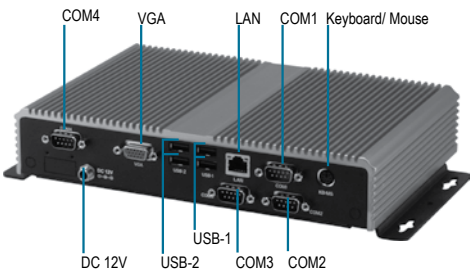
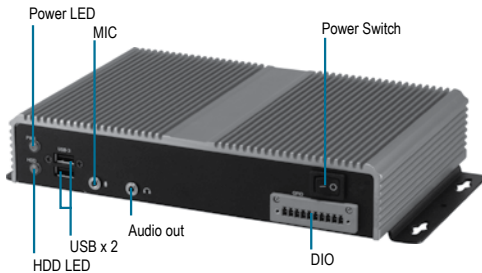


# FES-5120

Flexible Embedded System Controller With Intel® Atom™ N270 Processor

03

Digital Signage



## Features

- Intel® Atom™ N270 1.6 GHz Processor
- Intel® 945GSE + ICH7M Chipset
- 200-Pin Non-ECC DDR2 400/533 SODIMM x 1 (Up To 2 GB)
- VGA Single View
- Realtek 10/100/1000Base-TX x 1
- 2.5" SATA Hard Disk Drive Bay x 1
- USB2.0 x 6, COM x 4, CompactFlash™ x 1, 8-Bit Digital I/O
- Fanless
- Cost-Effective Solution



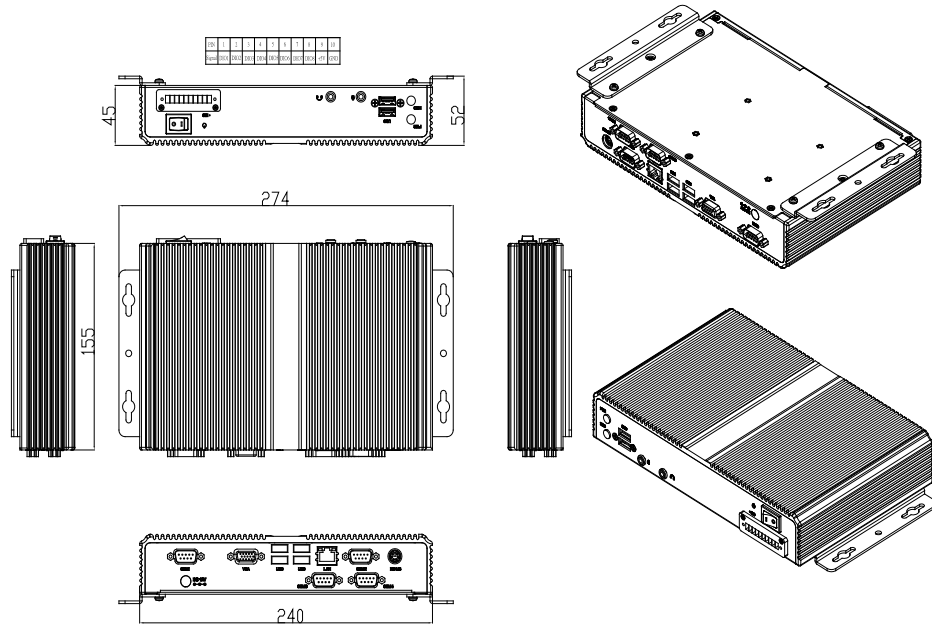
## Specifications

CPU	Intel® Atom™ N270 1.6 GHz	
Chipset	Intel® 945GSE + ICH7M	
System Memory	DDR2 SODIMM 400/533 x 1, Max. 2 GB	
Display Interface	VGA	D-SUB 15 x 1
	DVI	—
	Others	—
Storage Device	SSD	CompactFlash™ x 1
	HDD	2.5" SATA HDD x 1
Network	LAN	10/100/1000Base-TX x 1
	Wireless	—
Front I/O	USB Host	USB2.0 x 2
	LAN	—
	Serial Port	—
	DIO	8-bit Programmable
	Audio	—
	KB/MS	—
Rear I/O	USB Host	USB2.0 x 4
	LAN	RJ-45 x 1
	Serial Port	RS-232 x 3, RS-232/422/485 x 1
	DIO	—
	Audio	Line-out, Mic-in
	KB/MS	Keyboard x 1, Mouse x 1
	Others	Power-in
Expansion	PCIe	—
	PCI	—
	Mini Card	—
	Mini PCI	—
	Others	—
Indicator	Front	Power LED x 1, HDD LED x 1
	Rear	—
Power Requirement	AC/DC power adapter	
Power Consumption	30W	
System Cooling	Fanless	
Mounting	Desktop/Wallmount	
Operating temperature	32°F ~ 113°F (0°C ~ 45°C) (SSD)	
Storage Temperature	-4°F ~ 140°F (-20°C ~ 60°C)	
Anti-Vibration	HD: 0.5 g rms/ 5-500 Hz/random operation	
Anti-Shock	15 G with 11 m/sec, operating	
MTBF	60,000	
Certification	EMC	CE/FCC Class A
	Safety	—
Dimension (W x H x D)	9.45" x 1.77" x 6.1" (240mm x 45mm x 155mm)	
Gross Weight	4.9 lb (2.24 kg)	
Note	Windows® XP, Linux Support	

# FES-5120

## Dimension

Unit: mm



## Packing List

- 60W AC-DC Power Adapter
- Product CD
- FES-5120

## Ordering Information

- **TF-FES-5120-A10-01**  
Flexible Embedded System, Intel® Atom™ N270 CPU, VGA, 1 GbE LAN, 6 USB, 4 COM, 8-Bit DIO, Audio, Rev A1.0

## Optional Accessories

- **1702031802**  
(TF) Power Cord, 3P-125V/10A 180D, 1.8M, USA
- **1702031803**  
(TF) Power Cord, 3P-250V/10A 180D, 1.8M, Europe
- **170203180E**  
(TF) Power Cord, 3P, 125V/7A 180D, 1.8M, Japan