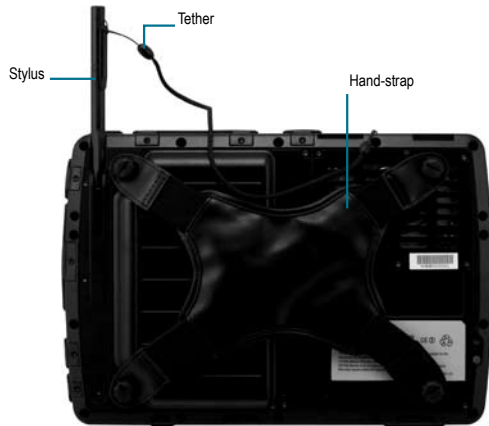
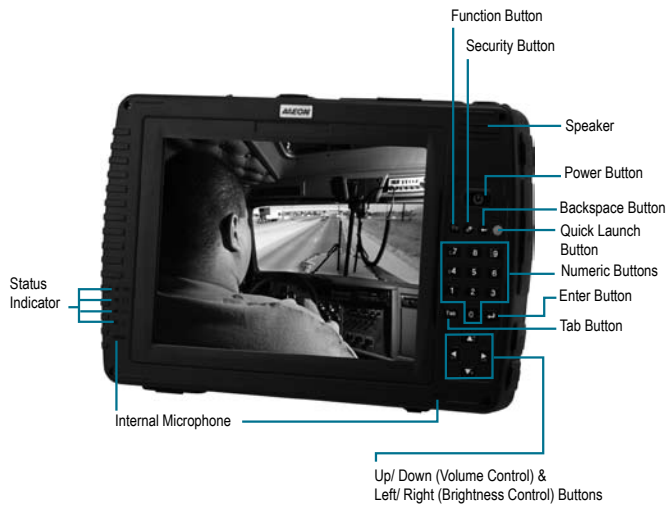


■ 8.4" Rugged Tablet Computer



Features

- Intel® Core™ Duo U2500 1.2 GHz Processor
- 200-pin DDRII SODIMM Socket x 1, up to 2 GB (Factory Optional)
- 8.4" SVGA (800 x 600) TFT LCD Display
- Touch Screen, Digitizer (Optional)
- Rugged, Water and Dust Proof, IP-54 Compliance
- PCMCIA, CompactFlash™ Card Sockets
- 9-Cell Smart Lithium-Ion High-Capacity Battery, 7 Hours Battery Life
- WLAN 802.11 a/b/g Module
- Windows® XP Embedded, Handwriting Recognition
- Numeric Keypad, Programmable Function Key, Customized Labeling

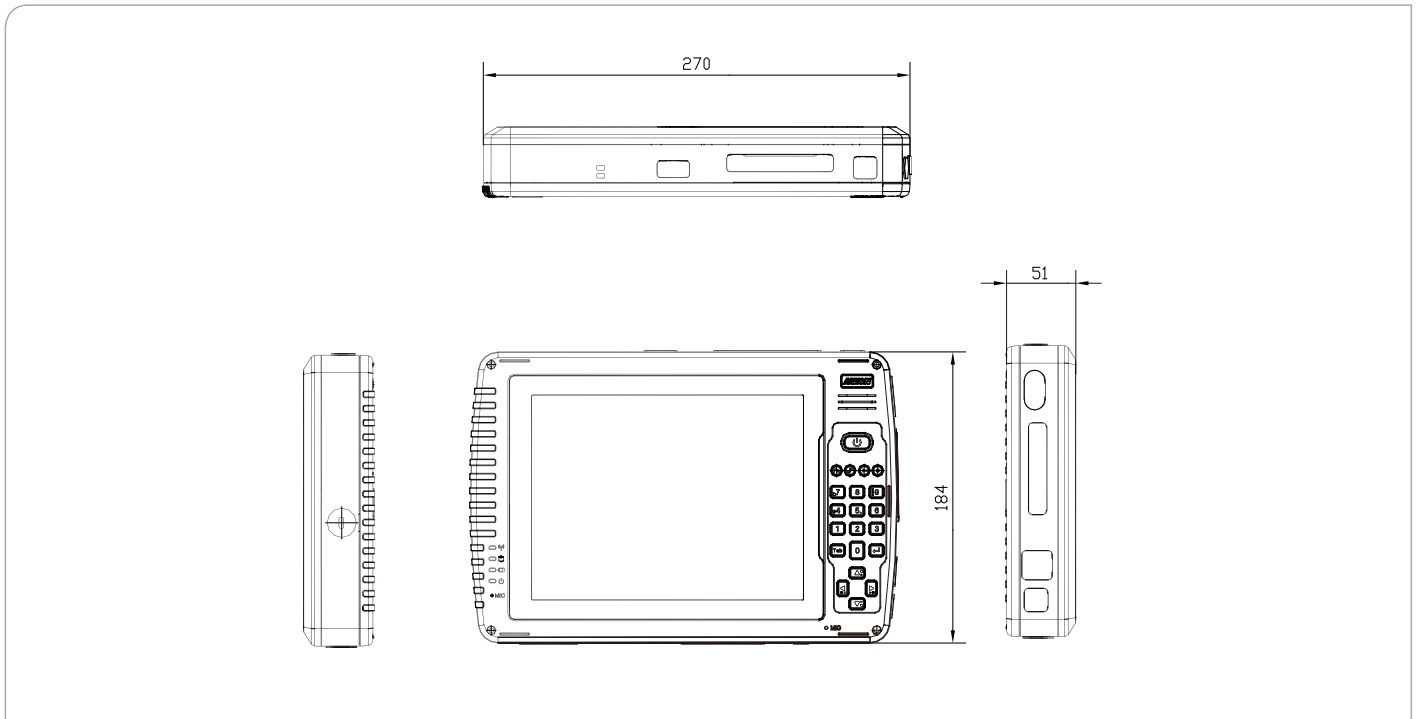


Specifications

System	
Processor	Intel® Core™ Duo U2500 1.2 GHz Processor
System Memory	200-pins DDRII SODIMM Socket x 1, up to 2 GB (Factory Optional)
LCD/CRT Controller	Intel® 945GME
LCD Display	8.4" SVGA (800 x 600) TFT LCD with Touch screen and digitizer (optional)
Communication	Gigabit Ethernet, RJ-45 x 1 56kbps V.92/K56 flex modem, RJ-11 x 1 WLAN 802.11 a/b/g Bluetooth® Class 2 (Optional)
I/O Port	RS-232 x 1 USB2.0 x 2 Mini USB x 1 Docking port (contact pin with USB/ RS-232/ Power signal) x 1 Two Audio in/out jack for Microphone/ Earphone
Storage Disk	2.5" Hard Disk Drive Bay/ SSD
Expansion Slot	PCMCIA, Mini Card Slot x 2 (internal), CompactFlash™ slot
OS Support	Windows® XP Embedded
Mechanical	
Construction	Al-Mg alloy
Color	Black
Dimension	10.63" (W) x 7.24" (D) x 2" (H) (270mm x 184mm x 51mm)
Carton Dimension	16.81" (W) x 12.16" (D) x 16.45" (H) (427mm x 309mm x 418mm)
Gross weight	4.7 lb (2.15Kg)
Environmental	
Operating Temperature	32°F ~ 140°F (0°C ~ 60°C) with HDD -4°F ~ 140°F (-20°C ~ 60°C) adding HDD Heater (optional) 14°F ~ 140°F (-10°C ~ 60°C) with SSD (optional)
Storage Temperature	-67°F ~ 167°F (-55°C ~ 75°C)
Operating Humidity	10 to 95% @ 40°C, non-condensing
Water & Dust Proof	Rain chamber to operate at no less than 40 PSIG and no less than 4 in / hr. 10 min per axis, 6 axes, Unit is powered off Mil Std 810F-506.4 Procedure II, IPX4 Meets IEC 60529 IP-5X standard, Protected against dust, limited ingress (no harmful deposit)
Vibration	Meets Mil Std 810F-514.5, Procedure I Cat. 24, Fig. 514.5C-17 & 14.5C-18 (Unit is non-operating) ASTM 4169-99 Truck Assurance Level II, Schedule E (Unit is operating)
Drop	Mil Std 810F-516.5, Procedure IV
ESD	Air +/- 8KV, Contact +/- 4KV
EMC/Safety	CE/FCC Class B/ CSA

RTC-840

Dimension Unit: mm



Power Supply	
AC / DC Adapter	AC Power input: 100V-240V, 50Hz-60Hz, 65W DC Power output: 20V
Battery	3S3P 9-Cell Smart Lithium-Ion high capacity (7,000mAh) 6.5 Hrs battery life
LCD	
Display Type	8.4" TFT-LCD
Max. Resolution	800 x 600
Max. Color	262K colors
Dot Size	0.2175 x 0.2175
Luminance	200cd/m ²
View Angle	Horizontal 65° (R) 65° (L) Vertical 65° (U) 45° (L)
Back Light MTBF	20,000
Touch Screen	
Type	4-wire, Analog Resistive
Resolution	800 x 600
Light Transmission	≥85%

Ordering Information

- TF-RTC-840T-A1W-1110**
 Rugged Tablet Computer, Intel® Core™ Duo U2500 1.2 GHz, 8.4" 200 nits, DC20V, R/TS, 1 GB RAM, 80 GB HDD, Windows® XP Embedded, WiFi
- TF-RTC-840T-A1WB-1110**
 Rugged Tablet Computer, Intel® Core™ Duo U2500 1.2 GHz, 8.4" 200 nits, DC20V, R/TS, 1 GB RAM, 80 GB HDD, Windows® XP Embedded, WiFi, Bluetooth®
- TF-RTC-840TD-A1W-1110**
 Rugged Tablet Computer, Intel® Core™ Duo U2500 1.2 GHz, 8.4" 200 nits, DC20V, TS/Digitizer, 1 GB RAM, 80 GB HDD, Windows® XP Embedded, WiFi
- TF-RTC-840TD-A1WB-1110**
 Rugged Tablet Computer, Intel® Core™ Duo U2500 1.2 GHz, 8.4" 200 nits, DC20V, TS/Digitizer, 1 GB RAM, 80 GB HDD, Windows® XP Embedded, WiFi, Bluetooth®

Optional Accessories

- Bluetooth® Class2 Module
- GPS Module
- Office Docking Station