

RTC-700T

7" Rugged Tablet Computer



Features

- Intel® Atom™ Z670 Processor (Formerly Lincroft)
- Intel® SM35 Express Chipset (Formerly Whitney Point)
- DDR2 1GB SDRAM
- 7" WVGA (1024 x 600) 16:10 TFT LCD Display
- Projected Capacitive Multi-Touch Screen
- Li-Polymer High-Capacity Battery, 2~3 Hours Battery Life
- MLD-STD-810G, Rugged, Water and Dust Proof, IP65 Compliance
- Micro SD Card Slot
- WiFi 802.11 b/g/n, Bluetooth® 2.1 + EDR
- GPS Navigation, G-Sensor, Light Sensor
- Windows® 7, Windows® Embedded Standard 7



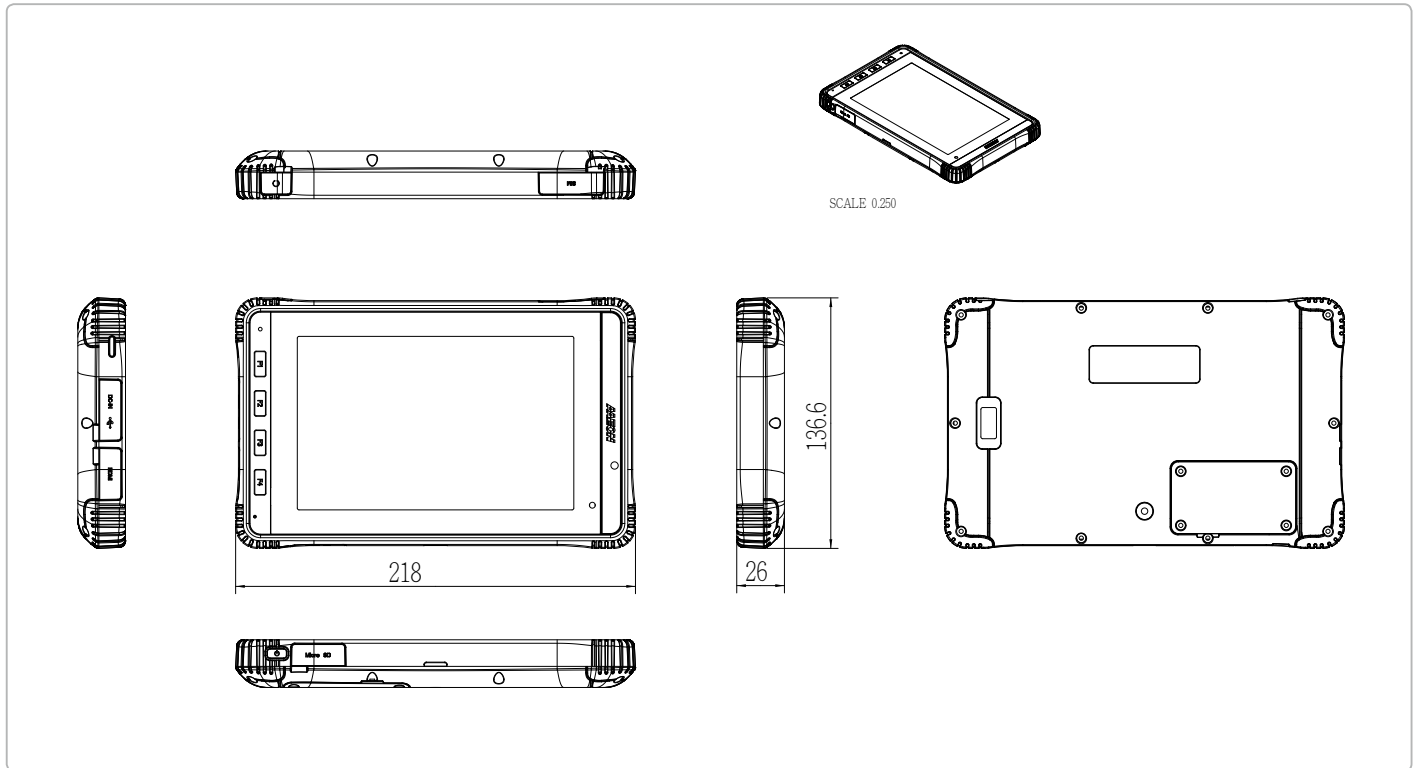
Specifications

| System | |
|-----------------------|--|
| Processor | Intel® Atom™ Z670 Processor (Formerly Lincroft) |
| Chipset | Intel® SM35 Express Chipset (Formerly Whitney Point) |
| System Memory | DDR2 1GB SDRAM |
| LCD Display | 7" WVGA (1024 x 600) 16:10 TFT LCD with Projected Capacitive Touch Screen panel |
| Communication | WLAN 802.11 b/g/n Bluetooth® 2.1 + EDR (Bluetooth® keyboard/Mouse support) 3G modem module (Optional) |
| I/O Port | DC-in Jack x 1 Mini HDMI x 1 SIM card Slot x 1 Mini USB x 1(Client) Micro SD Card Slot x 1 Built-in Speaker & Microphone 3.5mm stereo headphone jack x 1 |
| Storage | 40GB/60GB mSATA MLC |
| Navigation | GPS, AGPS(optional) |
| Camera | Front-facing camera: 2 Mega Pixel Rear-facing camera: 5 Mega Pixel |
| Other | Built-in Light Sensor Built-in G-Sensor |
| OS | Windows® 7 Professional or WES7 |
| Mechanical | |
| Color | Black |
| Dimension | 5.38" x 8.58" x 1.02" (136.6mm x 218mm x 26mm) |
| Gross Weight | 1.5 lb (680 g) |
| Carton Dimension | 14.37" x 10.16" x 8.35" (365mm x 258mm x 212mm) |
| Environmental | |
| Operating Temperature | -4°F ~ 122°F (-20°C ~ 50°C) |
| Storage Temperature | -4°F ~ 149°F (-20°C ~ 65°C) |
| Operating Humidity | 10 to 95% @ 60°C, non-condensing |
| Water & Dust Proof | IP65 compliance |
| Vibration | Meets MIL-STD-810G-514.6, Procedure I Cat. 24, Fig. 514.6E-1 & 514.6E-2 (Unit is non-operating) ASTM 4169-99 Truck Assurance Level II, Schedule E (Unit is operating) |
| Drop | 26 drops of 48 inches height to 2" plywood over concrete with unit off |
| ESD | Air +/- 8KV, Contact +/- 4KV |
| EMC/ Safety | CE/FCC Class B/ UL/ LVD |
| Power Supply | |
| AC/ DC Adapter | AC Power input: 100V-240V, 50Hz-60Hz, 12V/2A, 24W DC Power output: 12V/ 2A |
| Battery | Li-Polymer high capacity battery (27Whr), 4~6 hours Battery Life |

RTC-700T

Dimension

Unit: mm



| LCD | |
|--------------------|--|
| Display Type | 7" 16:10 TFT LCD |
| Max. Resolution | 1024 x 600 |
| Max. Color | 262K |
| Dot Size | 0.150(V) x 0.150(H) mm |
| Luminance | 400 cd/m ² |
| View Angle | Horizontal 178° (Typical) Vertical 178° (Typical) |
| Touch Screen | |
| Type | Projected Capacitive Multi-Touch Panel |
| Light Transmission | ≥87% |

Packing List

- **1757302404**
12V/2A AC Power Adapter
- **Product CD**
- **RTC-700T**

Optional Accessories

- **AP-0T9789666663**
Vehicle Docking (Non-chargeable)
- **1700050159**
USB OTG Cable
- **AP-PS1757402101**
Vehicle DC/DC Adapter
- **219700T001**
Carry Bag w/ Shoulder Belt
- **1700191501**
HDMI Cable

Ordering Information

| Part Number | CPU | LCD Display | Touch Screen | System Memory | Storage | OS | WiFi | Bluetooth | 3G Bands (MHz) | GPS | Sensor | Camera | Display | USB | Expansion | SIM Card | Mounting | Power | Temp. | Sunlight Readable |
|--------------------|--------------------------|-------------|--------------|---------------|-------------|-------|--------------|-----------|-----------------|-----------|-----------------------|-------------------------|---------------|--------------|--------------|----------|----------|-------|--------------|-------------------|
| RTC-700T-WBGH-1110 | Intel® Atom™ 2670 1.5GHz | 7" TFT LCD | PCT 5-point | DDR2 1GB | 40 GB mSATA | WES 7 | 802.11 b/g/n | 2.1 + EDR | — | GPS/ AGPS | Light Sensor G Sensor | Front: 2MP Back: 5MP | Mini HDMI x 1 | Mini USB x 1 | micro SD x 1 | 1 | — | 12V | -20°C ~ 50°C | — |
| RTC-700T-WBGH-1110 | Intel® Atom™ 2670 1.5GHz | 7" TFT LCD | PCT 5-point | DDR2 1GB | 40 GB mSATA | WES 7 | 802.11 b/g/n | 2.1 + EDR | 850/ 1900/ 2100 | GPS/ AGPS | Light Sensor G Sensor | Front: 2MP Back: 5MP | Mini HDMI x 1 | Mini USB x 1 | micro SD x 1 | 1 | — | 12V | -20°C ~ 50°C | — |
| RTC-700T-WBGH-0002 | Intel® Atom™ 2670 1.5GHz | 7" TFT LCD | PCT 5-point | DDR2 1GB | 60 GB mSATA | WES 7 | 802.11 b/g/n | 2.1 + EDR | — | GPS/ AGPS | Light Sensor G Sensor | Front: 2MP Back: 5MP | Mini HDMI x 1 | Mini USB x 1 | micro SD x 1 | 1 | — | 12V | -20°C ~ 50°C | — |
| RTC-700T-WBGH-0002 | Intel® Atom™ 2670 1.5GHz | 7" TFT LCD | PCT 5-point | DDR2 1GB | 60 GB mSATA | WES 7 | 802.11 b/g/n | 2.1 + EDR | 850/ 1900/ 2100 | GPS/ AGPS | Light Sensor G Sensor | Front: 2MP Back: 5MP | Mini HDMI x 1 | Mini USB x 1 | micro SD x 1 | 1 | — | 12V | -20°C ~ 50°C | — |