

RTC-700A

RISC-based 7" Rugged Tablet Computer



Features

- NVIDIA® TEGRA™ 2 1.0 GHz Dual Core Processor
- DDR2 1GB SDRAM
- 7" WXGA (1280 x 800) TFT LCD Display
- Projected Capacitive Multi-Touch Panel, Gorilla Glass
- Li-Polymer High-Capacity Battery, 6 Hours Battery Life
- Rugged, Water and Dust Proof, IP65 compliance
- Micro SD Card Slot, 5M Pixel Camera
- WiFi 802.11 b/g/n , Bluetooth® 2.1+ EDR, Optional 3G
- G-Sensor, Light Sensor, E-compass, GPS Navigation
- Android™ v3.2/v4.0
- Sunlight Readable (Optional)
- Barcode Reader 2D/1D (Optional)
- MSR (Optional)
- Docking (Optional)
- NFC/RFID (Optional)



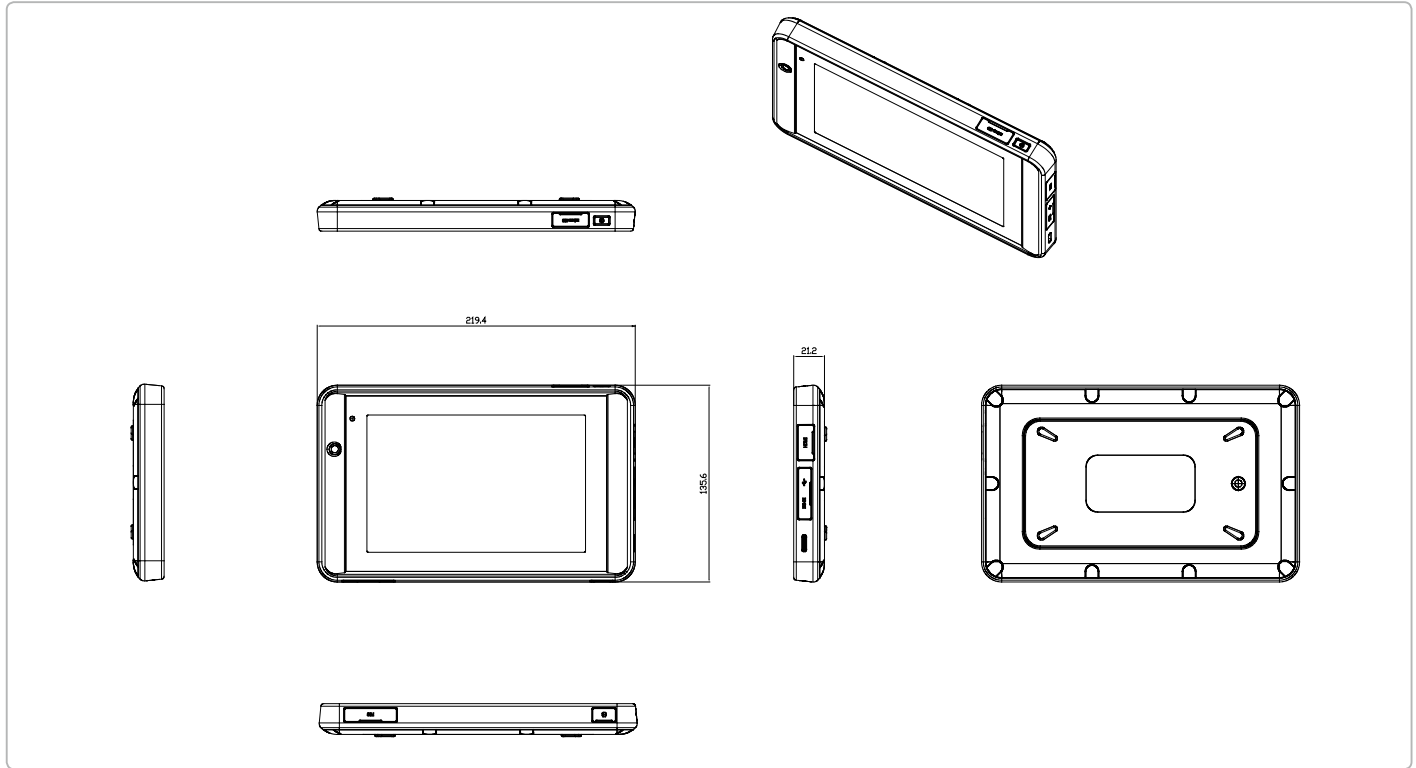
Specifications

System	
Processor	NVIDIA® TEGRA™ 2 1.0GHz Dual Core Processor
System Memory	DDR2 1GB SDRAM
LCD Display	7" WXGA (1280 x 800) TFT LCD with Projected Capacitive Multi-Touch screen, Gorilla glass
Communication	WLAN 802.11 b/g/n Bluetooth® 2.1+ EDR (Bluetooth® Keyboard/Mouse support) 3G modem module (optional)
I/O Port	DC-in Jack x 1 Mini USB Port x 1 Mini HDMI Port x 1 Micro SD Card Slot x 1 3.5-mm stereo headphone jack x 1 Built-in Speaker & Microphone SIM Card Slot x 1
Storage	16GB eMMC Flash
Navigation	GPS E-compass
Camera	Front: 1.2M Pixel camera Rear: 5M Pixel AF camera
Other	Built-in Light Sensor Built-in G-Sensor, Built-in 3-axis digital gyroscope, Built-in Vibrator motor
OS	Android™ v3.2/ v4.0
Mechanical	
Color	Black
Dimension	5.38" x 8.58" x 0.83"(136.6mm x 218mm x 21mm)
Gross Weight	1.2 lb (0.57 kg)
Carton Dimension	9.61" x 6.81" x 2.64" (244mm x 173mm x 67mm)
Environmental	
Operating Temperature	-4°F ~ 140°F (-20°C ~ 60°C)
Storage Temperature	-67°F ~ 167°F (-55°C ~ 75°C)
Operating Humidity	10 to 95% @ 40°C, non-condensing
Water & Dust Proof	IP65 compliance
Vibration	Meets MIL-STD-810G-514.6, Procedure I Cat. 24, Fig. 514.6E-1 & 514.6E-2 (Unit is non-operating) ASTM 4169-99 Truck Assurance Level II, Schedule E (Unit is operating)
Drop	26 drops of 48 inches height to 2" plywood over concrete with unit off MIL-STD-810G-516.6, Procedure IV
ESD	Air +/- 8KV, Contact +/- 4KV
EMC/ Safety	CE/ FCC Class B/ UL

RTC-700A

Dimension

Unit: mm



Power Supply	
AC/ DC Adapter	AC Power input: 100V-240V, 50Hz-60Hz, 12V/2A, 24W DC Power output: 12V/ 2A
Battery	Li-Polymer high capacity battery (27Whr), 6 Hrs Battery Life
LCD	
Display Type	7" 16:10 TFT LCD
Max. Resolution	1280 x 800
Max. Color	262K
Dot Size	0.117755(H) x 0.117755(V)
Luminance	350cd/m ² ~ 630 cd/m ²
View Angle	Horizontal 178° (Typical) Vertical 178° (Typical)
Touch Screen	
Type	Projected Capacitive Multi-Touch Panel, Gorilla glass
Light Transmission	≥87%

Packing List

- **1255300240**
12V/24W AC Power Adapter
- **1702031830**
Power Cord (US Type)

- **Product CD**
- **RTC-700A**

Optional Accessories

- **AP-OT9789666663**
Vehicle Docking
- **1700050156**
USB OTG Cable (Host to Device)
- **AP-PS1757402101**
Vehicle DC/DC Adapter

- **2192619062**
Carry Bag w/ Shoulder Belt
- **1700051000**
USB Cable (Client to PC)

Ordering Information

Part Number	CPU	LCD Display	Touch Screen	System Memory	Storage	OS	WiFi	Bluetooth	3G Bands (MHz)	GPS	Sensor	Camera	Battery	Expansion I/O	Size & Weight	Operation Temp	Durable	NFC (HF RFID)	Scanners/CAC Reader	Sunlight Readable
TF-RTC-700A-TA-WBGH-2110	TEGRA 2 1.0GHz	7" TFT LCD	Pcap 10-point	LPDDR2 1GB	16GB eMMC Flash	Android 4.0	802.11 b/g/n	2.1 + EDR	850/1900/2100	GPS/AGPS	Light Sensor x 1 G Sensor x 1 3-axis digital grescopex 1 Vibratorx1	Front: 1.2MP Back: 5MP	27Whr 7.4V 3700mAh	MiniHDMI x 1 MiniUSB x 1 micro SD x 1 SIM Card x 1	L219.4mm x W135.58mm x H 21.2 mm 608g	-20°C ~ 60°C	Meet IEC 60529 IP-65 standard MIL Std 810G-516.6, Procedure IV 26 drops of 48" height to 2" plywood over concrete with bumpers & unit off 2 units to pass	—	—	—
TF-RTC-700A-TA-WBG-2110	TEGRA 2 1.0GHz	7" TFT LCD	Pcap 10-point	LPDDR2 1GB	16GB eMMC Flash	Android 4.0	802.11 b/g/n	2.1 + EDR	—	GPS/AGPS	Light Sensor x 1 G Sensor x 1 3-axis digital grescopex 1 Vibratorx1	Front: 1.2MP Back: 5MP	27Whr 7.4V 3700mAh	MiniHDMI x 1 MiniUSB x 1 micro SD x 1 SIM Card x 1	L219.4mm x W135.58mm x H 21.2mm 578g	-20°C ~ 60°C	Meet IEC 60529 IP-65 standard MIL Std 810G-516.6, Procedure IV 26 drops of 48" height to 2" plywood over concrete with bumpers & unit off 2 units to pass	—	—	—
TF-RTC-700A-TA-WBGH-2810	TEGRA 2 1.0GHz	7" TFT LCD	Pcap 10-point	LPDDR2 1GB	16GB eMMC Flash	Android 4.0	802.11 b/g/n	2.1 + EDR	850/1900/2100	GPS/AGPS	Light Sensor x 1 G Sensor x 1 3-axis digital grescopex 1 Vibratorx1	Front: 1.2MP Back: 5MP	27Whr 7.4V 3700mAh	MiniHDMI x 1 MiniUSB x 1 micro SD x 1 SIM Card x 2	L219.4mm x W135.58mm x H 21.2mm 650g	-20°C ~ 60°C	Meet IEC 60529 IP-65 standard MIL Std 810G-516.6, Procedure IV 26 drops of 48" height to 2" plywood over concrete with bumpers & unit off 2 units to pass	NFC-IP-1 ISO14443 TypeA/B ISO15693 Felica MiFare 1k, 4k	—	—
TF-RTC-700A-TA-WBG-2810	TEGRA 2 1.0GHz	7" TFT LCD	Pcap 10-point	LPDDR2 1GB	16GB eMMC Flash	Android 4.0	802.11 b/g/n	2.1 + EDR	—	GPS/AGPS	Light Sensor x 1 G Sensor x 1 3-axis digital grescopex 1 Vibratorx1	Front: 1.2MP Back: 5MP	27Whr 7.4V 3700mAh	MiniHDMI x 1 MiniUSB x 1 micro SD x 1 SIM Card x 2	"L219.4 x W135.58 x H 21.2mm 620g"	-20°C ~ 60°C	Meet IEC 60529 IP-65 standard MIL Std 810G-516.6, Procedure IV 26 drops of 48" height to 2" plywood over concrete with bumpers & unit off 2 units to pass	NFC-IP-1 ISO14443 TypeA/B ISO15693 Felica MiFare 1k, 4k	—	—
TF-RTC-700A-TA-WBGH-1110	TEGRA 2 1.0GHz	7" TFT LCD	Pcap 10-point	LPDDR2 1GB	16GB eMMC Flash	Android 3.2	802.11 b/g/n	2.1 + EDR	850/1900/2100	GPS/AGPS	Light Sensor x 1 G Sensor x 1 3-axis digital grescopex 1 Vibratorx1	Front: 1.2MP Back: 5MP	27Whr 7.4V 3700mAh	MiniHDMI x 1 MiniUSB x 1 micro SD x 1 SIM Card x 1	L219.4mm x W135.58mm x H 21.2 mm 608g	-20°C ~ 60°C	Meet IEC 60529 IP-65 standard MIL Std 810G-516.6, Procedure IV 26 drops of 48" height to 2" plywood over concrete with bumpers & unit off 2 units to pass	—	—	—
TF-RTC-700A-TA-WBG-1110	TEGRA 2 1.0GHz	7" TFT LCD	Pcap 10-point	LPDDR2 1GB	16GB eMMC Flash	Android 3.2	802.11 b/g/n	2.1 + EDR	—	GPS/AGPS	Light Sensor x 1 G Sensor x 1 3-axis digital grescopex 1 Vibratorx1	Front: 1.2MP Back: 5MP	27Whr 7.4V 3700mAh	MiniHDMI x 1 MiniUSB x 1 micro SD x 1 SIM Card x 1	L219.4mm x W135.58mm x H 21.2mm 578g	-20°C ~ 60°C	Meet IEC 60529 IP-65 standard MIL Std 810G-516.6, Procedure IV 26 drops of 48" height to 2" plywood over concrete with bumpers & unit off 2 units to pass	—	—	—
TF-RTC-700A-TS-WBGH-1111	TEGRA 2 1.0GHz	7" TFT LCD	Pcap 10-point	LPDDR2 1GB	16GB eMMC Flash	Android 3.2	802.11 b/g/n	2.1 + EDR	850/1900/2100	GPS/AGPS	Light Sensor x 1 G Sensor x 1 3-axis digital grescopex 1 Vibratorx1	Front: 1.2MP Back: 5MP	27Whr 7.4V 3700mAh	MiniHDMI x 1 MiniUSB x 1 micro SD x 1 SIM Card x 2	L219.4mm x W135.58mm x H 21.2 mm 630g	-20°C ~ 60°C	Meet IEC 60529 IP-65 standard MIL Std 810G-516.6, Procedure IV 26 drops of 48" height to 2" plywood over concrete with bumpers & unit off 2 units to pass	—	—	630nit
TF-RTC-700A-TS-WBG-1111	TEGRA 2 1.0GHz	7" TFT LCD	Pcap 10-point	LPDDR2 1GB	16GB eMMC Flash	Android 3.2	802.11 b/g/n	2.1 + EDR	—	GPS/AGPS	Light Sensor x 1 G Sensor x 1 3-axis digital grescopex 1 Vibratorx1	Front: 1.2MP Back: 5MP	27Whr 7.4V 3700mAh	MiniHDMI x 1 MiniUSB x 1 micro SD x 1 SIM Card x 3	L219.4mm x W135.58mm x H 21.2 mm 600g	-20°C ~ 60°C	Meet IEC 60529 IP-65 standard MIL Std 810G-516.6, Procedure IV 26 drops of 48" height to 2" plywood over concrete with bumpers & unit off 2 units to pass	—	—	630nit

RTC-700A

Ordering Information

Part Number	CPU	LCD Display	Touch Screen	System Memory	Storage	OS	WiFi	Bluetooth	3G Bands (MHz)	GPS	Sensor	Camera	Battery	Expansion I/O	Size & Weight	Operation Temp	Durable	NFC (HF RFID)	Scanners/CAC Reader	Sunlight Readable
TF-RTC-700A-TA-WBGH-2310	TEGRA 2 1.0GHz	7" TFT LCD	Pcap 10-point	LPDDR2 1GB	16GB eMMC Flash	Android 4.0	802.11 b/g/n	2.1 + EDR	850/1900/2100	GPS/AGPS	Light Sensor x 1 G Sensor x 1 3-axis digital grescopex 1 Vibratorx1	Front: 1.2MP Back: 5MP	27Whr 7.4V 3700mAh	MiniHDMI x 1 MiniUSB x 1 micro SD x 1 SIM Card x 1	TBD	-20°C ~ 60°C	Meet IEC 60529 IP-65 standard Mil Std 810G-516.6, Procedure IV 26 drops of 48" height to 2" plywood over concrete with bumpers & unit off 2 units to pass	—	"Embedded: UPC-A/UPC-E, EAN-8/EAN-13, Industrial 2 of 5, Codabar, Matrix 2 of 5, Code 11, Code 93, Code 32, Code 128, Standard Code 39, Full ASCII Code 39, Interleaved 2 of 5, China Postal Code, MSI Plessey Code, UK Plessey Code, EAN/UCC 128, Telepen Code, IATA Code, GS1 Databar"	—
TF-RTC-700A-TA-WBGH-2310	TEGRA 2 1.0GHz	7" TFT LCD	Pcap 10-point	LPDDR2 1GB	16GB eMMC Flash	Android 4.0	802.11 b/g/n	2.1 + EDR	—	GPS/AGPS	Light Sensor x 1 G Sensor x 1 3-axis digital grescopex 1 Vibratorx1	Front: 1.2MP Back: 5MP	27Whr 7.4V 3700mAh	MiniHDMI x 1 MiniUSB x 1 micro SD x 1 SIM Card x 1	TBD	-20°C ~ 60°C	Meet IEC 60529 IP-65 standard Mil Std 810G-516.6, Procedure IV 26 drops of 48" height to 2" plywood over concrete with bumpers & unit off 2 units to pass	—	Embedded: UPC-A/UPC-E, EAN-8/EAN-13, Industrial 2 of 5, Codabar, Matrix 2 of 5, Code 11, Code 93, Code 32, Code 128, Standard Code 39, Full ASCII Code 39, Interleaved 2 of 5, China Postal Code, MSI Plessey Code, UK Plessey Code, EAN/UCC 128, Telepen Code, IATA Code, GS1 Databar	—
TF-RTC-700A-TA-WBGH-2320	TEGRA 2 1.0GHz	7" TFT LCD	Pcap 10-point	LPDDR2 1GB	16GB eMMC Flash	Android 4.0	802.11 b/g/n	2.1 + EDR	850/1900/2100	GPS/AGPS	Light Sensor x 1 G Sensor x 1 3-axis digital grescopex 1 Vibratorx1	Front: 1.2MP Back: 5MP	27Whr 7.4V 3700mAh	MiniHDMI x 1 MiniUSB x 1 micro SD x 1 SIM Card x 1	TBD	-20°C ~ 60°C	Meet IEC 60529 IP-65 standard Mil Std 810G-516.6, Procedure IV 26 drops of 48" height to 2" plywood over concrete with bumpers & unit off 2 units to pass	—	2D Barcodes: Code39, Data Matrix, PDF 417, EAU/UPC 100% and backward compatible 1D barcode	—
TF-RTC-700A-TA-WBGH-2320	TEGRA 2 1.0GHz	7" TFT LCD	Pcap 10-point	LPDDR2 1GB	16GB eMMC Flash	Android 4.0	802.11 b/g/n	2.1 + EDR	—	GPS/AGPS	Light Sensor x 1 G Sensor x 1 3-axis digital grescopex 1 Vibratorx1	Front: 1.2MP Back: 5MP	27Whr 7.4V 3700mAh	MiniHDMI x 1 MiniUSB x 1 micro SD x 1 SIM Card x 1	TBD	-20°C ~ 60°C	Meet IEC 60529 IP-65 standard Mil Std 810G-516.6, Procedure IV 26 drops of 48" height to 2" plywood over concrete with bumpers & unit off 2 units to pass	—	2D Barcodes: Code39, Data Matrix, PDF 417, EAU/UPC 100% and backward compatible 1D barcode	—