

RTC-1000

10.2" Rugged Tablet Computer

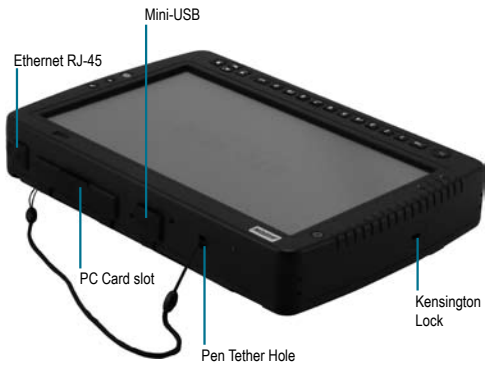
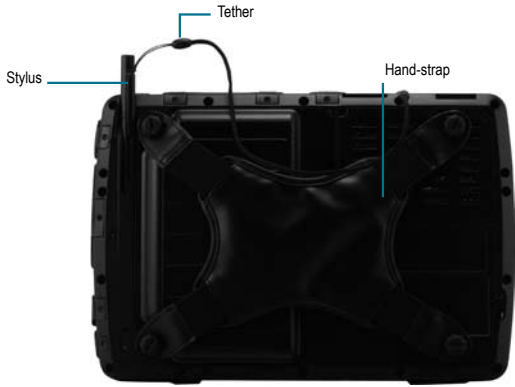
13

Rugged Tablet Computers



Features

- Intel® Core™ Duo Processor ULV 1.2GHz (U2500) Processor
- 200-pin DDRII 533/ 667 SODIMM Socket x 1, up to 2GB (Factory Optional)
- 10.2" WSVGA (1024 x 600) TFT LCD Display
- 9-Cell Smart Lithium-Ion High-Capacity Battery, 8 Hours Battery Life
- Rugged, Water and Dust Proof
- Touch Screen, Advanced Optibond Technology (AOT)
- Finger Print Scanner
- PCMCIA, CompactFlash™ Card Sockets
- Windows® XP Embedded, Handwriting Recognition
- Numeric Keypad, Programmable Function Key, Customized Labeling

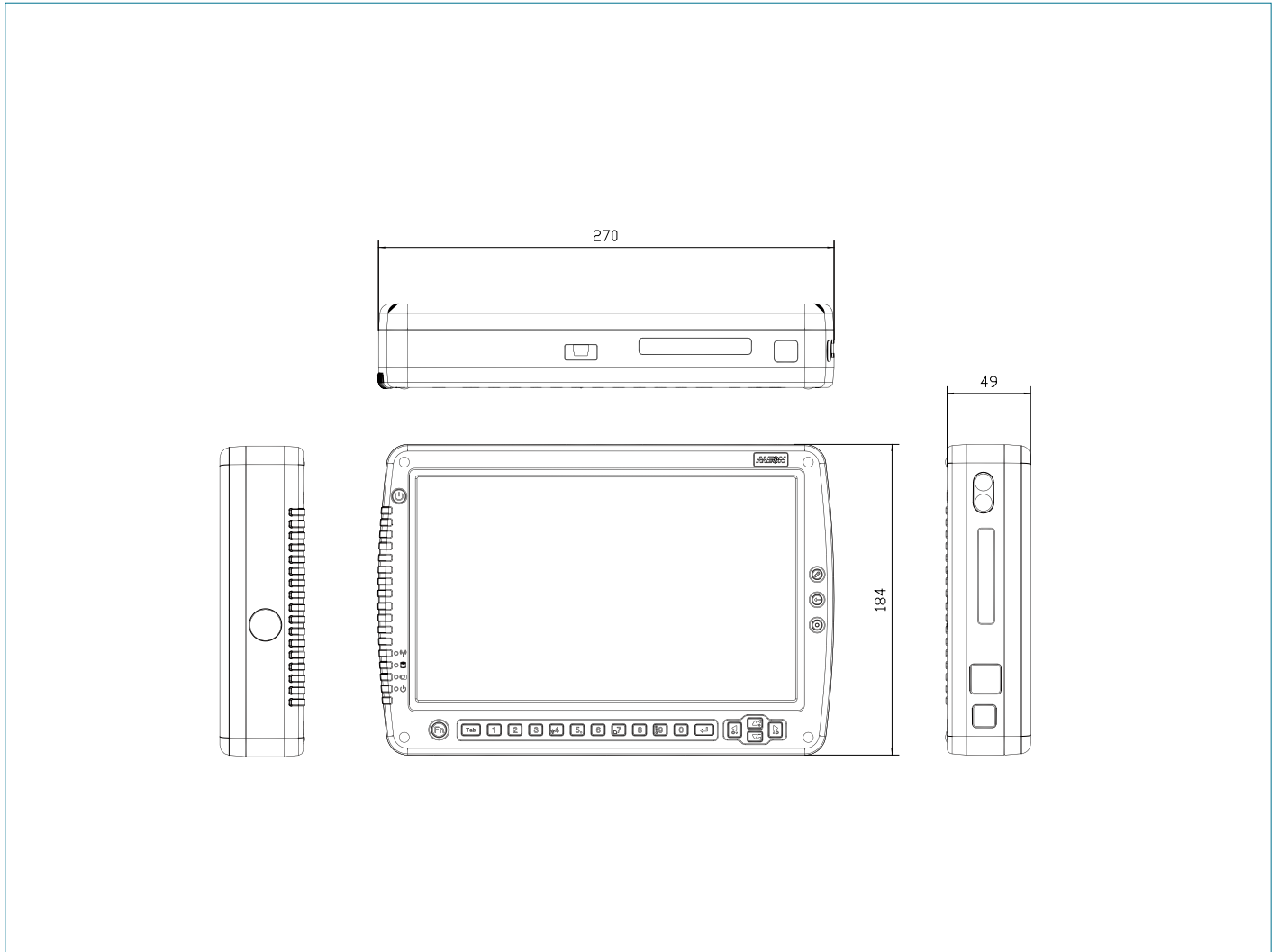


Specifications

System	
Processor	Intel® Core™ Duo Processor ULV 1.2GHz (U2500) Processor, FSB 533MHz
System Memory	200-pins DDRII 533/ 667 SODIMM Socket x 1, up to 2GB (Factory Optional)
LCD/CRT Controller	Intel® 945GME
LCD Display	10.2" WSVGA (1024 x 600) TFT LCD with Touch Screen (AOT) and digitizer (optional)
Communication	Gigabit Ethernet, RJ-45 x 1 56kbps V.92/K56 flex modem, RJ-11 x 1 WLAN 802.11 b/g Bluetooth Class 2 (Optional)
I/O Port	RS-232 x 1 USB2.0 x 2 Mini USB x1 Docking port (contact pin with USB/RS-232/Power signal) x 1 Two Audio in/out jack for Microphone/ Earphone
Storage Disk	2.5" Hard Disk Drive Bay / SSD/ CompactFlash™ slot
Expansion Slot	PCMCIA, Mini Card Slot x 2 (internal)
OS Support	Windows® XP Embedded
Mechanical	
Construction	Al-Mg alloy
Color	Black
Dimension	10.63" (W) x 7.24" (D) x 1.93" (H) (270mm x 184mm x 49mm)
Carton Dimension	20.28" (W) x 10.63" (D) x 14.17" (H) (515mm x 270 mm x 360mm)
Gross Weight	4.7 lb (2.15 kg)
Environmental	
Operating Temperature	32°F ~ 140°F (0°C ~ 60°C) with HDD -4°F ~140°F (-20°C ~ 60°C) adding HDD Heater (optional) 14°F ~140°F (-10°C ~60°C) with SSD (optional)
Storage Temperature	-67°F ~167°F (-55°C~75°C)
Operating Humidity	10 to 95% @ 40°C, non-condensing
Water & Dust Proof	IP-65 Compliance
Vibration	Meets Mil Std 810F-514.5, Procedure I Cat. 24, Fig. 514.5C-17 & 14.5C-18 (Unit is non-operating) ASTM 4169-99 Truck Assurance Level II, Schedule E (Unit is operating)
Drop	Mil Std 810F-516.5, Procedure IV
ESD	Air +/- 8KV, Contact +/- 4KV
EMC/Safety	CE/FCC Class B
Power Supply	
AC / DC Adapter	AC Power input: 100V-240V, 50Hz-60Hz, 65W DC Power output: 20V
Battery	3S3P 9-Cell Smart Lithium-Ion high capacity (7,800mAh) 8 Hrs battery life

RTC-1000

Dimension Unit: mm



LCD	
Display Type	10.2" TFT-LCD
Max. Resolution	1024 x 600
Max. Color	262K colors
Dot Size	0.2175 x 0.2175
Luminance	220 cd/m ²
View Angle	Horizontal 60° (R) 60° (L) Vertical 70° (U) 70° (L)
Touch Screen	
Type	4-wire, Analog Resistive
Resolution	1024 x 600
Light Transmission	≥82%

Ordering Information

- **TF-RTC-1000TA-A1W-1110**
Rugged Tablet Computer, Intel® Core™ Duo U2500 1.2GHz, 10.2" 250 nits, DC20V, TS/AOT, 1GB RAM, 80GB HDD, Windows® XP Embedded, WiFi
- **TF-RTC-1000TA-A1WB-1110**
Rugged Tablet Computer, Intel® Core™ Duo U2500 1.2GHz, 10.2" 250 nits, DC20V, TS/AOT, 1GB RAM, 80GB HDD, Windows® XP Embedded, WiFi, Bluetooth

Optional Accessories

- Wireless 802.11 b/g Module
- Bluetooth Class2 Module
- Office Docking Station