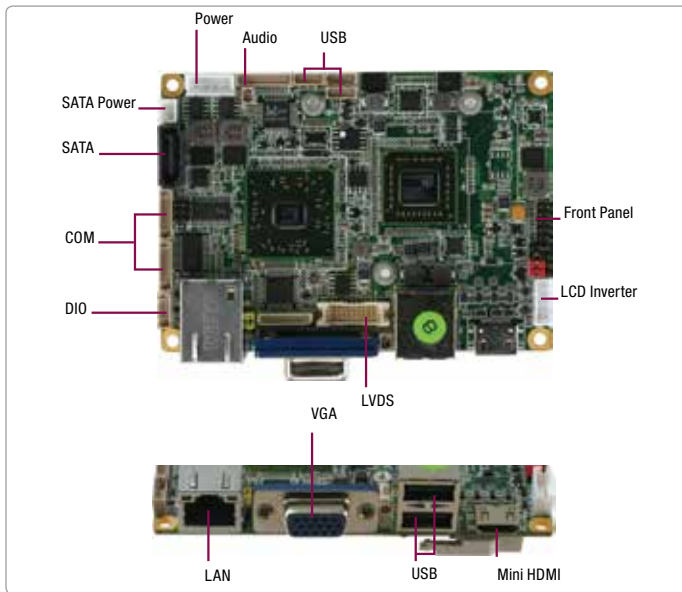


# PICO-HD01

Pico-ITX Fanless Board With HDMI and AMD G-Series T40E/T40R Processor



## Features

- Onboard AMD G-Series T40E/T40R Single/Dual Processor
- AMD G-Series CPU + A50M
- 204-pin DDR3 1066MHz SODIMM x 1, Up to 4GB
- Gigabit Ethernet x 1, RJ-45 x 1
- CRT, 18-bit Single Channel LVDS, Mini HDMI
- 2CH HD Audio
- SATA 3.0Gb/s x 1, mSATA (Half-Size) Slot x 1 (Shared with Mini Card)
- USB 2.0 x 5, COM x 2, 4-bit Digital I/O
- +12V Operating

## Specifications

System	
Form Factor	Pico-ITX Board
Processor	AMD G-Series T40E/T40R 1GHz
System Memory	204-pin DDR3 1066MHz SODIMM x 1, up to 4GB
Chipset	AMD G-Series +A50M
I/O Chipset	Fintek F81801U-I
Ethernet	Realtek 8111E for 10/1000/1000Base-TX, RJ-45 x 1
BIOS	AMI-32Mb ROM
Wake On LAN	Yes
Watchdog Timer	Programmable 255 level System Reset
H/W Status Monitoring	Vcore, +1.5V_DDR
Expansion Interface	Mini Card(Half size), 4-bit DIO
Battery	Lithium battery
Power Requirement	+12V, AT/ATX (default)
Power Consumption (Typical)	AMD G-Series T40E 1GHz, DDR3 1066MHz 4GB, 1.02A@+12V
Board Size	3.94"(L) x 2.756"(W) (100mm x 72mm)
Gross Weight	1.1 lb (0.5 Kg)
Operation Temperature	32°F ~ 140°F (0°C ~ 60°C)
Storage Temperature	-40°F ~ 176°F (-40°C ~ 80°C)
Operation Humidity	0% ~ 90% relative humidity, non-condensing
MTBF (Hours)	89,000
Display	
Chipset	AMD G-Series T40E/T40R 1GHz
Resolution	LVDS up to 1366 x 768 (18 bit) @ 60Hz; VGA & HDMI up to 1920 x 1200 @ 60Hz
LCD Interface	18-bit single channel LVDS with PWM function
I/O	
Storage	SATA x 1, mSATA x 1 (Shared with Mini Card control by BIOS)
Serial Port	RS-232 x 1, RS-232/422/485 x 1(Internal Pin-Header X 2)
USB	USB 2.0 x 5
Digital I/O	Digital I/O 4-bit Digital I/O (Programmable, 2-in/2-out)
Audio	Audio Buzzer x 1, HD Audio Code (Realtek ALC662) for Line-in/out & Mic x 1



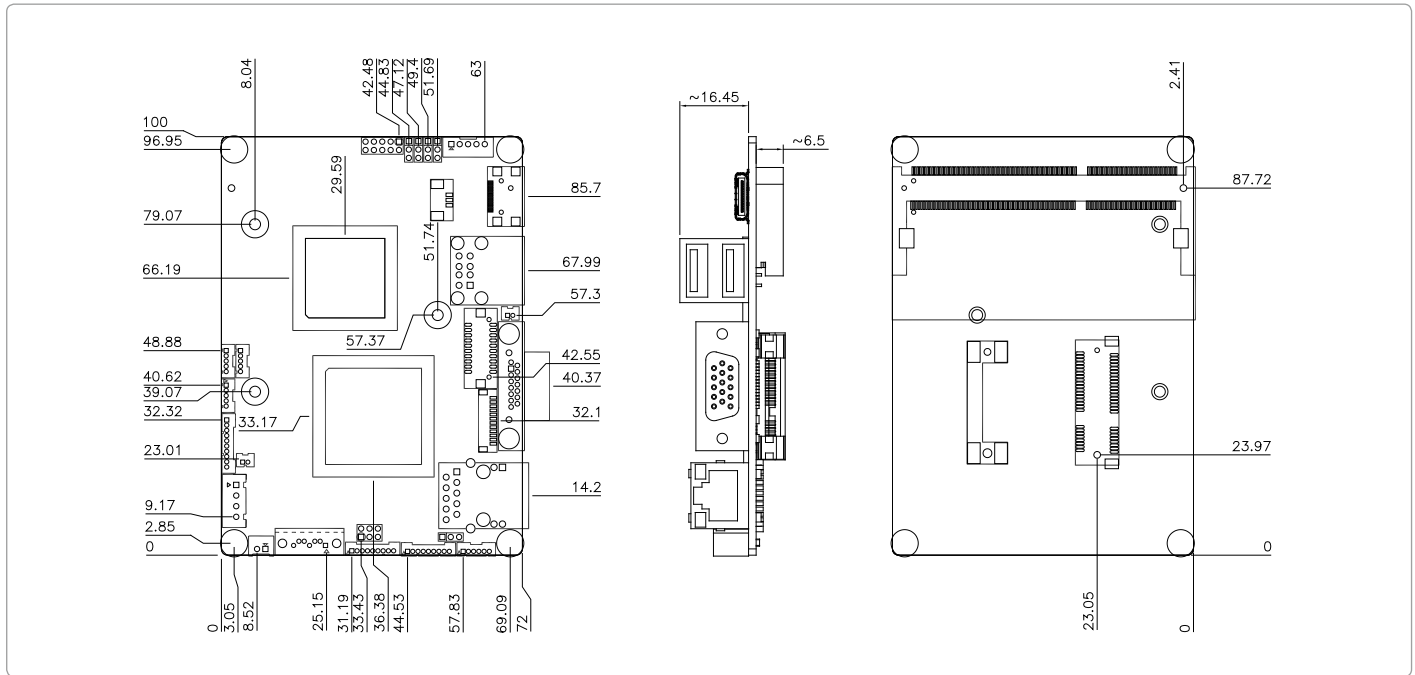
## Packing List

- 170204010S  
MB Power Cable
- 1709070500  
SATA data Cable
- 1702150155  
SATA Power Cable
- 9657666600  
Jumper Cap
- Product DVD
- PICO-HD01 w/Heatsink

# PICO-HD01

## Dimension

Unit: mm



## Ordering Information

Part Number	CPU	Fan/ Fanless	Display Combination	Storage	LVDS	LAN	USB	RS-232	RS-232/422/485	Expansion Slot	Power	Temp.
PICO-HD01-A10	T40E	Fanless	CRT + LVDS, CRT + HDMI	SATA x 1	18b,1CH	GbE x 1	5	1	1	Mini Card x 1 or mSATA (Half size)	+12V, AT/ATX	0°C ~ 60°C
PICO-HD01-A10-01	T40R	Fanless	CRT + LVDS, CRT + HDMI	SATA x 1	18b,1CH	GbE x 1	5	1	1	Mini Card x 1 or mSATA (Half size)	+12V, AT/ATX	0°C ~ 60°C

## Optional Accessories

- **1700050207**  
USB Cable, Length 20cm
- **1701090150**  
COM1 Cable, Length 15cm
- **1709100254**  
AUDIO Cable, Length 25cm
- **1701100156**  
Front Panel Cable, Length 15cm
- **1701090150**  
COM 2 Cable For RS-232, Length 15cm
- **170302010C**  
Buzzer Cable