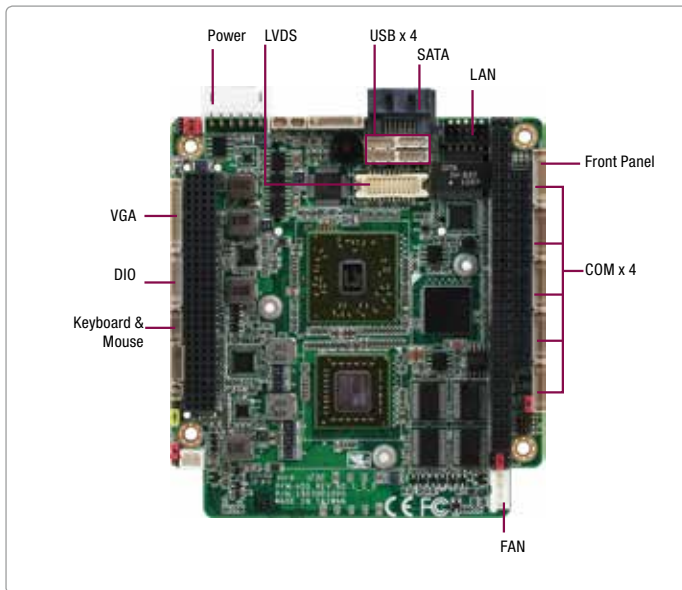


PFM-HDS

PC/104+ Module with AMD G-Series T16R Processor



Features

- Onboard AMD® G-Series™ T16R Processor
- AMD A55E
- SODIMM DDR3 1066MHz, Up to 4GB
- 10/100/1000Base-TX Ethernet x 1
- CRT, 18-bit LVDS
- 2CH HD Audio
- SATA 3.0Gb/s x 1, CFast™ x 1
- USB2.0 x 4, COM x 4, 8-bit Digital I/O
- PC/104+ Expansion
- +5V Only Operation
- AAEON Hi-Safe SDK/Utility Supported

Specifications

System	
Form Factor	PC/104
Processor	AMD G-Series T16R processor
System Memory	SODIMM DDR3 1066MHz, up to 4GB
Chipset	AMD A55E
I/O Chipset	Fintek F81886DG
Ethernet	Realtek 8111E for 10/100/1000Base-TX x 1
BIOS	AMI Plug & Play SPI BIOS - 4MB Flash
Wake on LAN	Yes
Watchdog Timer	Generates a time-out system reset
H/W Status Monitoring	Supports power supply voltages and temperature monitoring
Expansion Interface	PC/104+
Battery	Lithium battery
Power Requirement	+5V, AT/ATX
Power Consumption (Typical)	AMD G-Series T16R, 615MHz, DDR3 1066 4GB 2.03A@+5V
Board Size	3.77" x 4.05" (96mm x 103mm)
Gross Weight	0.35lb (0.16kg)
Operating Temperature	32°F ~ 140°F (0°C ~ 60°C)
Storage Temperature	-40°F ~ 176°F (-40°C ~ 80°C)
Operating Humidity	0% ~ 90% relative humidity, non-condensing
MTBF (Hours)	94,000
Display	
Chipset	AMD T16R processor
Resolutions	CRT: Up to 1920 x 1200 LVDS: 18-bit up to 1366 x 768
LCD Interface	18-bit LVDS Single Channel x 1
I/O	
Storage	SATA 3.0Gb/s x 1, CFast™ x 1
Serial Port	RS-232 x 3, RS-232/422/485 (auto flow) x 1
USB	USB2.0 x 4
PS/2 Port	PS/2 Keyboard and Mouse x 1
Digital I/O	8-bit Digital I/O (Programmable, 4-in/4-out)
Audio	Line-in, Line-out, Mic-in



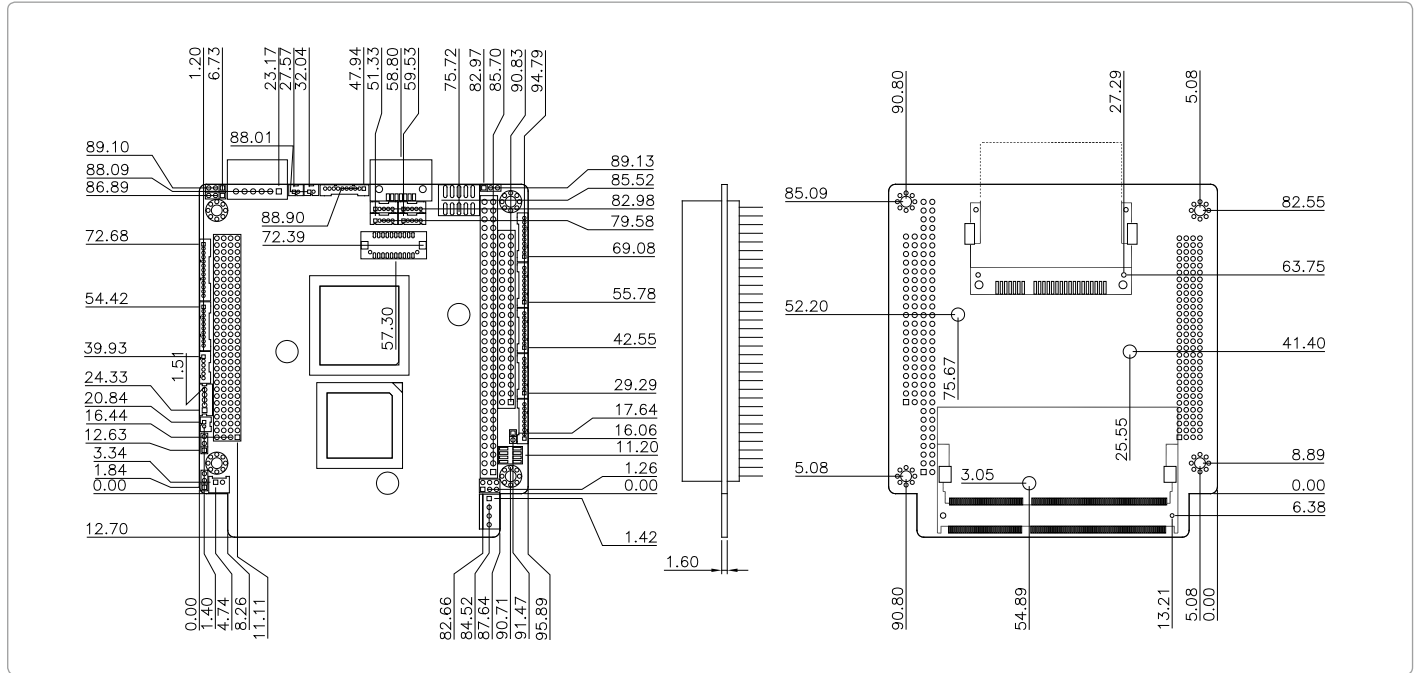
Packing List

- 1702060105
Power Cable for PFM-HDS
- 9657666600
Jumper Cap
- Product DVD
- PFM-HDS with Heatsink

PFM-HDS

Dimension

Unit: mm



Ordering Information

Part Number	CPU	RAM	Fan/Fanless	Storage	Display	LVDS	LAN	USB	RS-232	RS-232/422/485	Expansion Slot	Power	Temp.
PFM-HDS-A10	AMD G-series T-16R	SODIMM	Fanless	SATA x 1	CRT + LVDS	18b, 1CH	GbE x 1	4	3	1	PC/104+	+5V, AT/ATX	0°C - 60°C

Optional Accessories

Part Number		Quantity
1709150151	(TF)CRT Cable, 1 x 13P Pitch=1.25mm Housing,15cm	1
1700100201	(TF)LAN Cable, RJ45 10P 2.0mm Housing, 20cm	1
1705050153	(TF)Inverter Cable, 1 x 5P Pitch=1.5mm Housing, 15cm	1
1700050207	(TF)USB Cable, 1 x 5P Pitch=1.25mm Housing, 20cm	4
1701090150	(TF)Flat Cable, D-Sub 9(M), 9P Housing, 9P 1.25mm pitch Housing, 15cm	4
1709070500	(TF)SATA Cable, 7P Pitch 1.27mm, 50cm	1
1702150155	(TF)Power Cable, 15P SATA (F), 2P 2.0mm Housing (PH), 15cm	1
1701100155	(TF)Flat Cable, Front Panel 10P, Pitch=1.25mm Housing, 15cm	1
1709100254	Audio Cable, Length 25cm	1
1700060155	PS/2 Keyboard & Mouse Cable	1