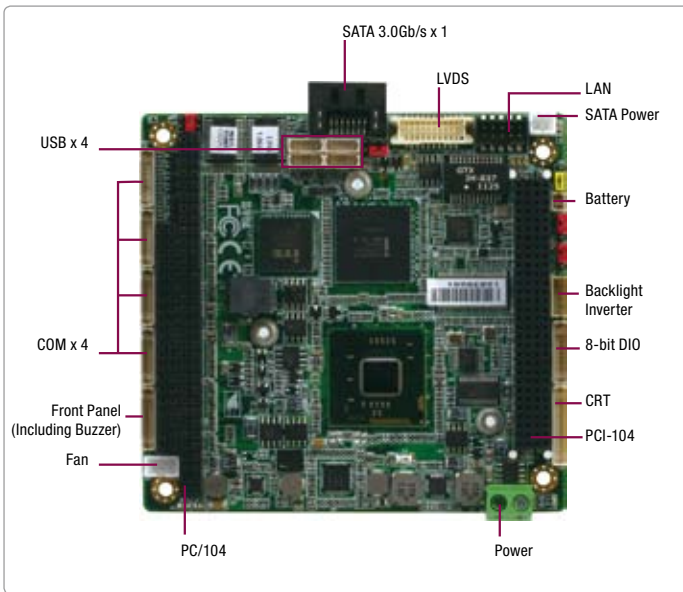


# PFM-CVS

PC/104+ Module with Intel® Atom™ N2600 Processor

04

PC/104 Modules



## Features

- Intel® Atom™ N2600 Dual Core 1.6GHz Processor
- Intel® Atom™ N2600 + NM10
- 204-pin DDR3 800/1066MHz SODIMM x 1, Max. 2GB
- 10/100/1000Base-TX Ethernet x 1
- CRT, 18-bit Single Channel LVDS LCD
- SATA 3.0Gb/s x 1
- USB2.0 x 4, COM x 4
- PC/104+ Slot, Half-Size mSATA x 1/ Mini Card (Optional)
- +12V Only Operation
- AAEON Hi-Safe SDK/Utility Supported

## Specifications

System	
Form Factor	PC/104
Processor	Intel® Atom™ N2600 1.6GHz Processor
System Memory	DDR3 800/1066MHz SODIMM x 1, Max. 2 GB
Chipset	Intel® Atom™ N2600 + NM10
I/O Chipset	FinTech F81866D
Ethernet	Realtek RTL8111E, 10/100/1000Base-TX x 1
BIOS	AMI BIOS – 32MB ROM
Wake on LAN	Yes
Watchdog Timer	Generates a time-out system reset
H/W Status Monitoring	Supports power supply voltage and temperature monitoring
Expansion Interface	PC/104+, mSATA/ Mini Card (optional) (for Half Size)
Battery	Lithium battery
Power Requirement	+12V, AT (Default)/ATX
Power Consumption (Typical)	Intel® Atom™ N2600, 1.6 GHz, DDR3 1066 2GB 1.2A@+12V
Board Size	3.55" x 3.77" (90mm x 96mm)
Gross Weight	0.35 lb (0.16 kg)
Operating Temperature	32°F ~ 140°F (0°C ~ 60°C)
Storage Temperature	-40°F ~ 185°F (-40°C ~ 85°C)
Operating Humidity	0%~90% relative humidity, non-condensing
MTBF (Hours)	70,000
Display	
	Supports CRT/LCD simultaneous/dual view displays
Chipset	Intel® Atom™ N2600 Processor integrated graphic
Resolutions	Up to 1920 x 1200 @ 60Hz for for VGA Up to 1366 x 768 (18-bit)@ 60Hz for LVDS
LCD Interface	18-bit, single channel LVDS
I/O	
Storage	SATA 3.0Gb/s x 1, Half-Size mSATA x 1
Serial Port	RS-232 x 3, RS-232/422/485 x 1
Universal Serial Bus	USB 2.0 x 4
Digital I/O	8-bit Digital I/O (Programmable)



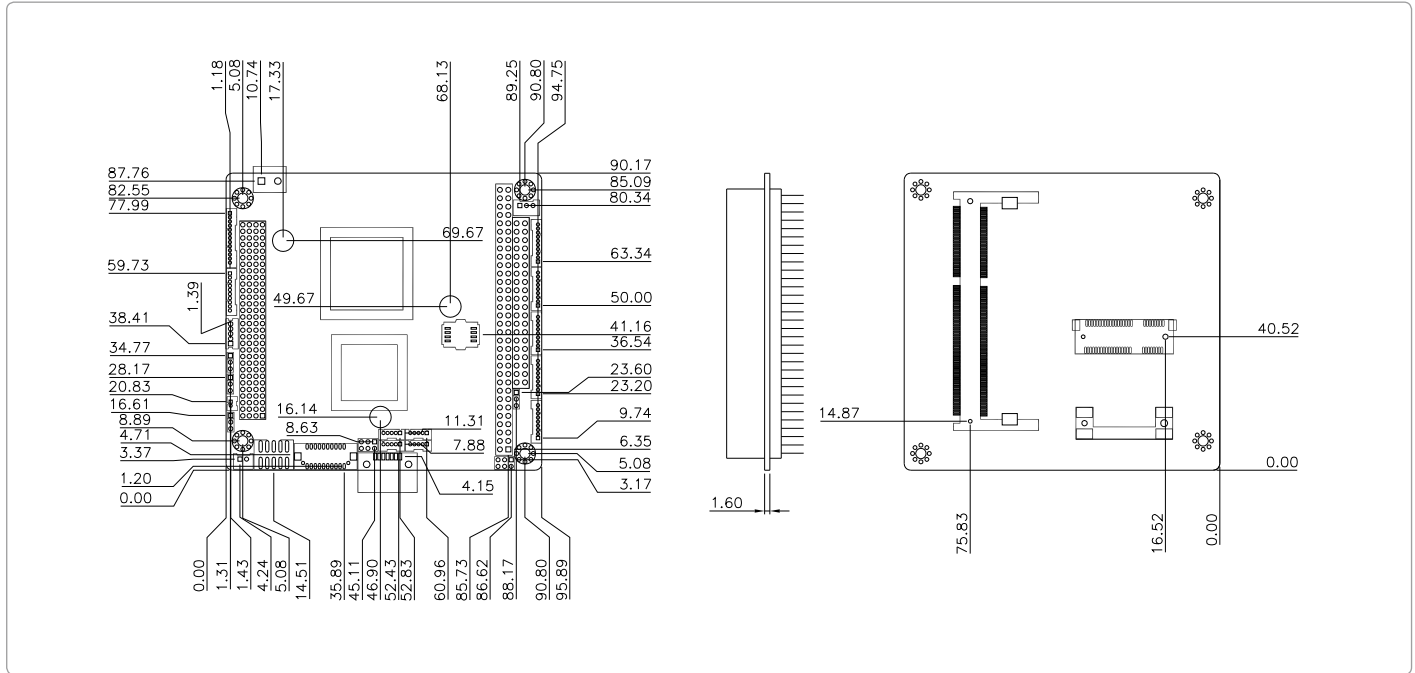
## Packing List

- 965766600  
Jumper Cap
- Product CD
- PFM-CVS with Heatsink

# PFM-CVS

## Dimension

Unit: mm



## Ordering Information

Part Number	CPU	RAM	Fan/ Fanless	Storage	Display	LVDS	LAN	USB	RS-232	RS-232/422/485	Parallel	Expansion Slot	Power	Temp.
TF-PFM-CVS-A10-10	Intel® Atom™ N2600	SODIMM	Fanless	SATA x 1, mSATA x 1 (Half size)	CRT + LVDS	18-bit, 1CH	GbE x 1	4	3	1	—	PC/104+	+12V, AT/ATX	0°C ~ 60°C
TF-PFM-CVSW1-A10-10	Intel® Atom™ N2600	SODIMM	Fanless	SATA x 1, mSATA x 1 (Half size)	CRT + LVDS	18-bit, 1CH	GbE x 1	4	3	1	—	PC/104+	+12V, AT/ATX	WITAS 1 (-20°C ~ 70°C)

## Optional Accessories

### • 9681CVS000

(TF) Cable Kit for PFM-CVS-A10-10

#### Cable Kit

Part Number		Quantity
1702002010	(TF)Power Cable, 1 x 2P Pitch=5.0mm Housing, 10cm (12V only)	1
1709150151	(TF)CRT Cable, 1 x 13P Pitch=1.25mm Housing,15cm	1
1701010150	(TF)FLAT Cable, 1 x 10P Pitch=1.25mm Housing, 15cm	1
1700100201	(TF)LAN Cable, RJ45 10P 2.0mm Housing, 20cm	1
1705050153	(TF)Inverter Cable, 1 x 5P Pitch=1.5mm Housing, 15cm	1
1700050207	(TF)USB Cable, 1 x 5P Pitch=1.25mm Housing, 20cm	4
1701090150	(TF)Flat Cable, D-Sub 9(M), 9P Housing, 9P 1.25mm pitch Housing, 15cm	4
1709070500	(TF)SATA Cable, 7P Pitch 1.27mm, 50cm	1
1702150155	(TF)Power Cable, 15P SATA (F), 2P 2.0mm Housing (PH), 15cm	1
1701010150	(TF)Flat Cable, 1 x 10P Pitch=1.25mm Housing, 15cm	1
1701100155	(TF)Flat Cable, Front Panel 10P, Pitch=1.25mm Housing, 15cm	1
1703020156	(TF)Buzzer Cable, 2P, Pitch=1.25mm Housing, 15cm	1