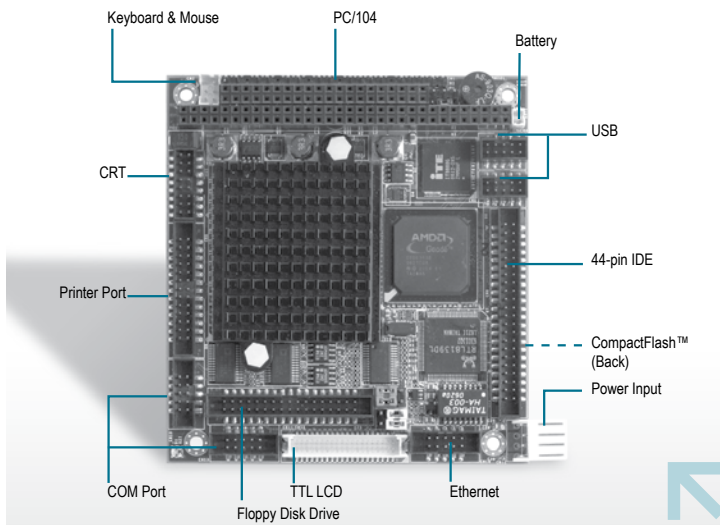


# PFM-540I

## AMD Geode™ LX Processor



### Features

- Onboard AMD Geode™ LX800 Processor
- One SODIMM DDR333 Up to 1 GB, DDR400 Up to 512MB
- 18/24-bit TTL TFT LCD Support
- One 10/100Base-TX Ethernet
- CompactFlash™ Type I, IDE x 1
- USB 2.0 x 4, COM x 2 and Parallel Port x 1
- +5V Only Operation
- Low Power Consumption (<1A)



### Specifications

System	
Form Factor	PC/104
Processor	Onboard AMD Geode™ LX 800 (500MHz) Processor
System Memory	200-pin DDR SODIMM x 1, Max 1GB for DDR333 and 512MB for DDR400
Chipset	AMD LX 800 + CS5536
I/O Chipset	ITE IT8712F-A
Ethernet	Realtek RTL 8139DL, 10/100Base-TX
BIOS	AWARD 512KB FLASH ROM
Watchdog Timer	Generates a time-out system reset
H/W Status Monitoring	Supports power supply voltages and temperature monitoring
Expansion Interface	PC/104 socket x 1
Power Requirement	+5V/AT
Power Consumption (Typical)	AMD Geode™ LX800 500MHz, DDR400 512MB +5V@1.53A
Battery	Lithium battery
Board Size	3.55" (L) x 3.775" (W) (90mm x 96mm)
Gross Weight	0.25 lb (0.11 kg)
Operating Temperature	32°F ~ 140°F (0°C ~ 60°C)
Storage Temperature	-40°F ~ 176°F (-40°C ~ 80°C)
Operating Humidity	0% ~ 90% relative humidity, non-condensing
MTBF (Hours)	100,000
Display	
Supports CRT/ LCD simultaneous display	
Chipset	AMD LX 800
Memory	Shared system memory up to 254 MB
Resolutions	Up to 1600 x 1200 @ 32bpp for CRT Up to 1024 x 768 @ 24bpp for LCD
LCD Interface	18/24-bit TTL TFT LCD
I/O	
Storage	EIDE x 1 (UDMA 33), Type I CompactFlash™ x 1, Floppy Disk Drive x 1
Serial Port	RS-232 x 3, RS-232/422/485 x 1
Parallel Port	SPP/ EPP/ ECP mode
USB	USB2.0 x 4
PS/2 Port	Keyboard + Mouse x 1
IrDA	One IrDA Tx/Rx header

### Packing List

- **9681540I00**  
Cable Kit for PFM-540I Cable Kit
  - 1701100207 RS-232 Cable x 2
  - 1701440350 44-pin IDE Cable x 1
  - 1700060152 Keyboard & Mouse Cable x 1
  - 1700100200 LAN Cable x 1
  - 1709100201 USB Cable x 2
  - 1701260201 Printer Port Cable x 1
  - 1701340703 Floppy Disk Cable x 1
- **Quick Installation Guide**
- **Utility CD**
- **PFM-540I**

### Ordering Information

- **TF-PFM-540I-A10 (Fanless)**  
PC/104 Board, AMD LX800 LCD, DDR, LAN, 2 COM, 4 USB, CompactFlash™, PC/104, AT, Rev A1.0

### Optional Accessories

- **TF-PCM-3538T-A10**  
TTL to LVDS Transmitter Module Rev.A1.0