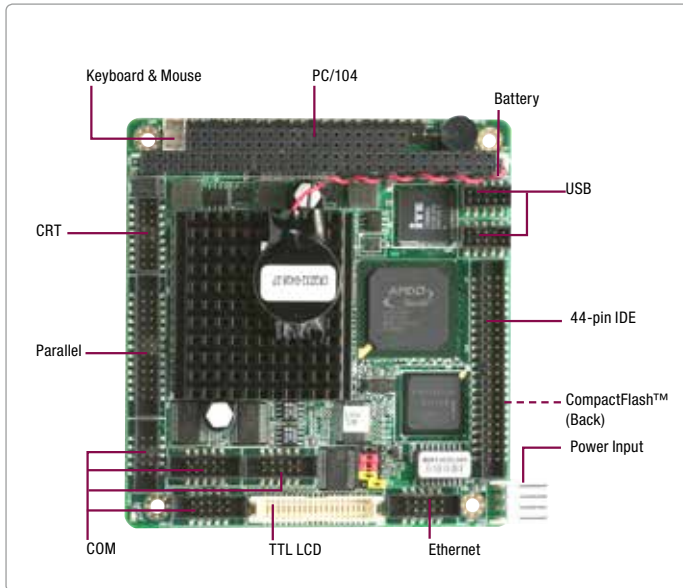


PFM-540I Rev. B

PC/104 Module with AMD Geode™ LX Processor



Features

- Onboard AMD Geode™ LX800 Processor
- AMD Geode™ LX800 + CS5536
- DDR 333MHz SODIMM x 1, Up to 1 GB or DDR 400MHz SODIMM x 1, Up to 512 MB
- 10/100Base-TX Ethernet x 1
- 18/24-bit TTL LCD Support
- EIDE x 1, CompactFlash™ x 1
- USB2.0 x 4, COM x 4 And Parallel x 1
- PC/104 Expansion
- +5V Only Operation, AT Power Type
- Low Power Consumption

Specifications

System	
Form Factor	PC/104
Processor	Onboard AMD Geode™ LX800 Processor 500 MHz
System Memory	200-pin DDR 333/400MHz SODIMM x 1, up to 1 GB for DDR333 and 512 MB for DDR400
Chipset	AMD Geode™ LX800 + CS5536
I/O Chipset	SMSC 3114-Nu
Ethernet	Intel® 82551ER, 10/100Base-TX x 1
BIOS	Award 1 MB FLASH ROM
Watchdog Timer	Generates a time-out system reset
H/W Status Monitoring	Supports power supply voltages and temperature monitoring
Expansion Interface	PC/104 socket x 1
Power Requirement	+5V/AT
Power Consumption (Typical)	AMD Geode™ LX800 500 MHz, DDR400 512 MB +5V@1.53A
Battery	Lithium battery
Board Size	3.55" (L) x 3.775" (W) (90mm x 96mm)
Gross Weight	0.25 lb (0.11 kg)
Operating Temperature	32°F ~ 140°F (0°C ~ 60°C)
Storage Temperature	-40°F ~ 176°F (-40°C ~ 80°C)
Operating Humidity	0% ~ 90% relative humidity, non-condensing
MTBF (Hours)	100,000
Display	
Supports CRT/ LCD simultaneous display	
Chipset	AMD Geode™ LX800
Memory	Shared system memory up to 254 MB
Resolutions	Up to 1600 x 1200 @ 32bpp for CRT Up to 1024 x 768 @ 24bpp for LCD
LCD Interface	18/24-bit TTL TFT LCD
I/O	
Storage	EIDE x 1 (UDMA 33 for one device), Type 1 CompactFlash™ x 1
Serial Port	RS-232 x 3, RS-232/422/485 x 1
Parallel Port	SPP/ EPP/ ECP mode
USB	USB2.0 x 4
PS/2 Port	Keyboard + Mouse x 1



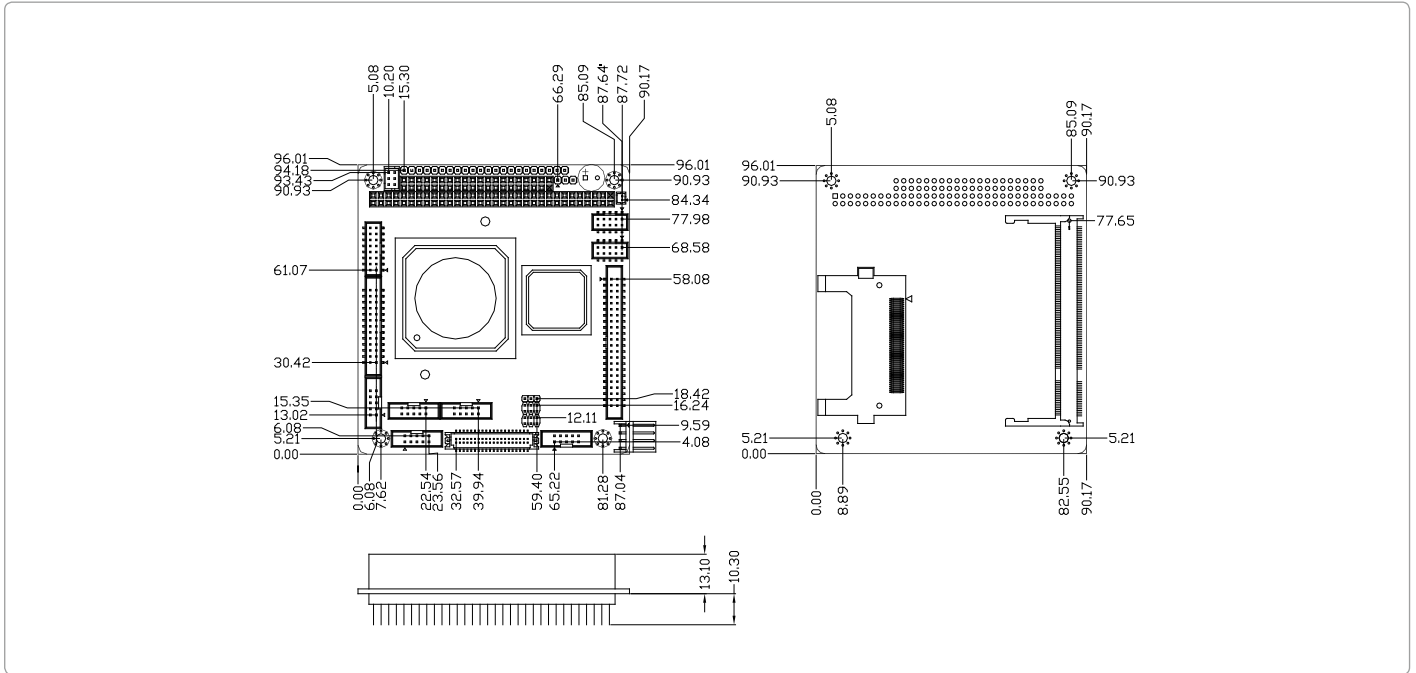
Packing List

- **9681540I02**
Cable Kit for PFM-540I Rev.B
 - 1701440350 44-pin IDE Cable x 1
 - 1700060152 Keyboard & Mouse Cable x 1
 - 1709100201 USB Cable x 1
 - 1701160201 VGA Cable x 1
- **Product CD**
- **PFM-540I Rev.B**

PFM-540I Rev. B

Dimension

Unit: mm



Ordering Information

Part Number	CPU	RAM	Fan/ Fanless	Storage	Display	LVDS	LAN	USB	RS-232	RS-232/422/485	Parallel	Expansion Slot	Power	Temp.
TF-PFM-540I-B10	AMD Geode™ LX800	SODIMM	Fanless	EIDE x 1, CompactFlash™ x 1,	CRT + TTL	18/24b, 1CH	FE x 1	4	3	1	1	PC/104	+5VAT	0°C ~ 60°C

Optional Accessories

- **1701100207**
RS-232 Cable x 1
- **1700100200**
LAN Cable x 1
- **1701260200**
Printer Cable x 1
- **1709100201**
USB Cable x 1
- **PCM-3538T-A10**
TTL to LVDS Transmitter Module Rev. A1.0