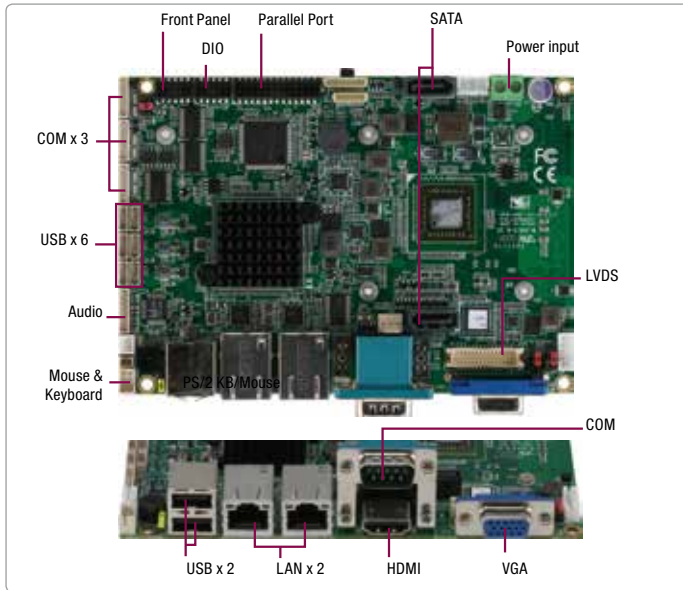


GENE-HD05

3.5" SubCompact Board with AMD G-Series T56N/T40E/T40R Processor



Specifications

System	
Form Factor	3.5"
Processor	AMD G-Series T56N/T40E/T40R processor
System Memory	DDR3 1066/1333MHz(T56N) SODIMM x 1, up to 4GB
Chipset	AMD A50M
I/O Chipset	Fintek F81886DG
Ethernet	Realtek 8111E for 10/100/1000Base-TX, RJ-45 x 2
BIOS	AMI Plug & Play SPI BIOS - 4MB Flash
Wake on LAN	Yes
Watchdog Timer	Generates a time-out system reset
H/W Status Monitoring	Supports power supply voltages and temperature monitoring
Expansion Interface	Mini Card x 1 (Config. by BIOS), LPC bus
Trusted Platform Module (TPM)	Infineon SLB 9635 TT 1.2 (Optional)
Battery	Lithium battery
Power Requirement	+12V or AT/ATX
Power Consumption (Typical)	AMD G-Series T56N, DDR3 4GB 1.73A@+12V
Board Size	5.75"(L) x 4"(W) (146mm x 101.6mm)
Gross Weight	0.88lb (0.4kg)
Operating Temperature	32°F ~ 140°F (0°C ~ 60°C)
Storage Temperature	-40°F ~ 176°F (-40°C ~ 80°C)
Operating Humidity	0% ~ 90% relative humidity, non-condensing
MTBF (Hours)	—
Display	
	Supports CRT/LCD or CRT/HDMI simultaneous/ dual view display
Chipset	AMD T56N/T40E/T40R processor
Memory	Shared system memory up to 384MB
Resolutions	CRT: Up to 2560 x 1600 (T56N), up to 1920 x 1200 (T40E/T40R) LVDS: 18/24/36/48-bit up to 1920 x 1200 HDMI: Up to 1920 x 1200
LCD Interface	18/24/36/48-bit LVDS
HDMI	HDMI x 1
I/O	
Storage	SATA 3.0Gb/s x 2, CFast™ x 1, mSATA x 1 (co-lay with Mini Card (Config. by BIOS))
Serial Port	RS-232 x 3, RS-232/422/485 (auto flow) x 1
Parallel Port	SPP/EPP/ECP x 1
USB	USB2.0 x 8
PS/2 Port	PS/2 Keyboard and Mouse x 1
Digital I/O	8-bit Digital I/O (Programmable, 4-in/4-out)
Audio	Line-in, Line-out, Mic-in
Touch Screen	Supports 4/5-wire resistive touch screen

Features

- Onboard AMD® G-Series™ T56N/T40E/T40R Processor
- AMD A50M
- DDR3 1066/1333MHz(T56N) SODIMM x 1, Up to 4GB
- Gigabit Ethernet x 2, RJ-45 x 2
- CRT, 18/24/36/48-bit LVDS, HDMI
- 2CH HD Audio
- SATA 3.0Gb/s x 2, CFast™ x 1, mSATA x 1 (Config. by BIOS)
- USB2.0 x 8, COM x 4, Parallel x 1, 8-bit Digital I/O
- Onboard 4/5-wire Resistive Touch Screen Controller
- Mini Card x 1 (Config. by BIOS)
- +12V Only Operation
- Onboard Trusted Platform Module (Optional)
- AAEON Hi-Safe SDK/Utility Supported



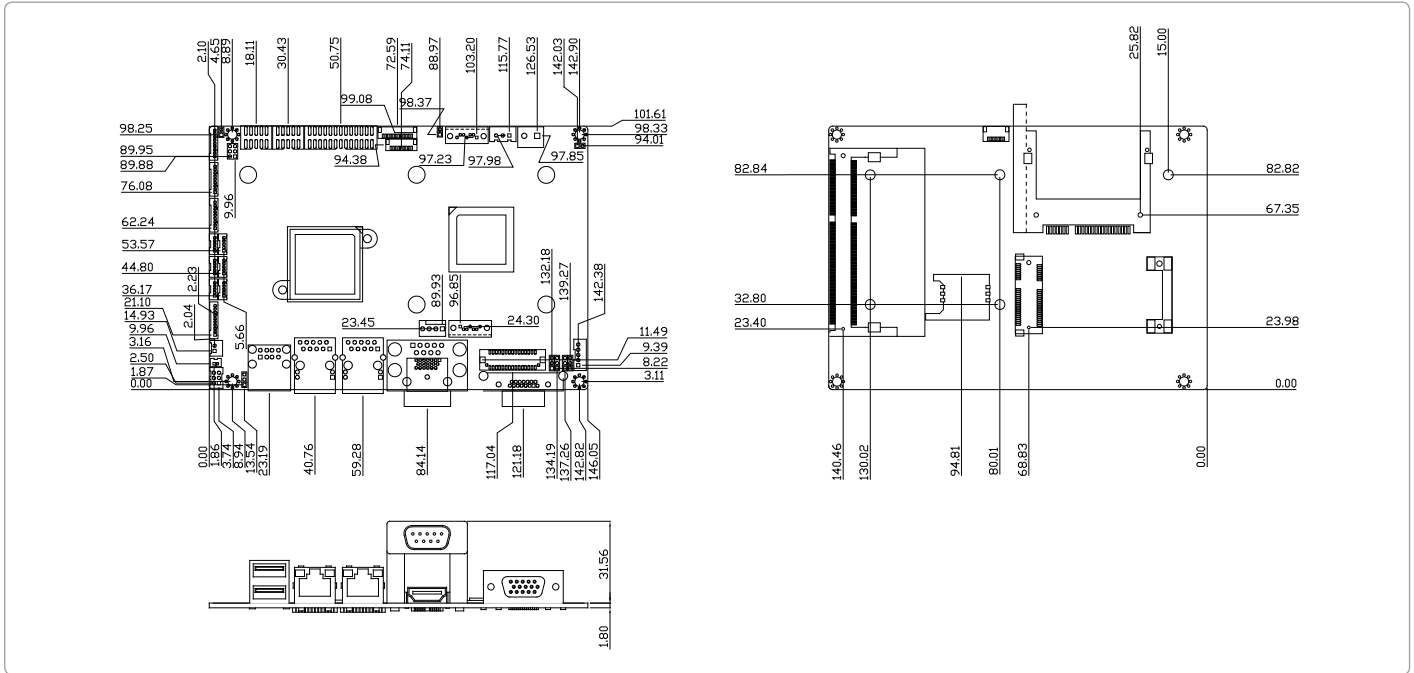
Packing List

- Product DVD
- GENE-HD05 with Active Cooler (T56N Version) or with Passive Heatsink (T40E/T40R Version)

GENE-HD05

Dimension

Unit: mm



Ordering Information

Part Number	CPU	Fan/Fanless	Display	LVDS	Storage	Touch	LAN	USB	RS-232	RS-232/422/485	Expansion Slot	Power	Temp
GENE-HD05-A10	AMD T56N	Fan	CRT + LVDS LVDS + HDMI HDMI + CRT	18/24b, 2CH	SATA x 2 CFast™ x 1	1	GbE x 2	8	3	1	Mini Card x 1	+12V, AT/ATX	0°C – 60°C
GENE-HD05-A10-01	AMD T40E	Fanless	CRT + LVDS LVDS + HDMI HDMI + CRT	18/24b, 2CH	SATA x 2 CFast™ x 1	1	GbE x 2	8	3	1	Mini Card x 1	+12V, AT/ATX	0°C – 60°C
GENE-HD05-A10-02	AMD T40R	Fanless	CRT + LVDS LVDS + HDMI HDMI + CRT	18/24b, 2CH	SATA x 2 CFast™ x 1	—	GbE x 2	8	2	1	Mini Card x 1	+12V, AT/ATX	0°C – 60°C

Optional Accessories

- **1700050207**
USB Cable, Length 20cm
- **1701090150**
COM Port Cable, Length 15cm
- **1709100254**
Audio Cable, Length 25cm
- **1709070500**
SATA Cable, Length 50cm
- **1701260201**
Parallel Port Cable, Length 20cm
- **1702002010**
Big Single Row 4-pin Power Input Cable for +12V Input, Length 10cm
- **1702150155**
Power Cable for 2.5" SATA Hard Disk, Length 15cm
- **1702200208**
Conversion Cable ATX Power Supply, Length 20cm
- **1700060157**
KB/Mouse Cable