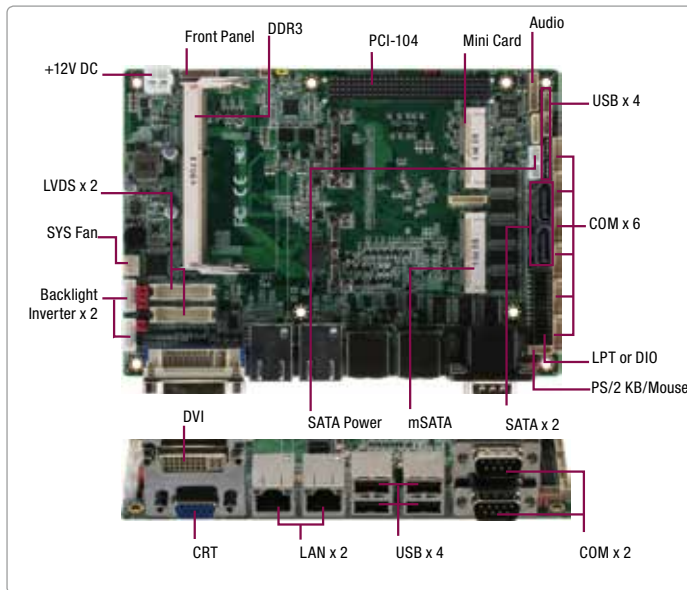


# EPIC-CV07

EPIC Board With Onboard Intel® Atom™ D2550/N2600 Processor



## Features

- Onboard Intel® Atom™ D2550/N2600 Processor
- Intel® Atom™ D2550/N2600 + NM10
- 204-pin DDR3 800(N2600)/1066(D2550)MHz SODIMM x 1, Up to 2GB(N2600)/4GB(D2550)
- Realtek 8111E for 10/1000/1000Base-TX, RJ-45 x 2
- 18/24-bit Single/Dual-Channel LVDS, CRT, DVI-I (Optional)
- 2CH HD Audio
- SATA 3.0Gb/s x 1, mSATA (Half-Size) Slot x 1
- USB 2.0 x 7, COM x 8, 16-bit Digital I/O
- Mini Card x 1
- +12V, AT/ATX
- CPU and PCH On Solder Side For Easy System Integration
- Supports AAEON SDK Utility: Hi-Safe

## Specifications

System	
Form Factor	EPIC
Processor	Intel® Atom™ D2550/N2600 up to 1.86GHz
System Memory	204-pin SODIMM DDR3 800/1066MHz, up to 4GB(D2550)/2GB(N2600)
Chipset	Intel® Atom™ D2550/N2600 + NM10
I/O Chipset	Fintek 8186D
Ethernet	Realtek 8111E for 10/1000/1000Base-TX, RJ-45 x 2
BIOS	UEFI
Wake On LAN	Yes
Watchdog Timer	Programmable 255 level System Reset
H/W Status Monitoring	Supports Power Supply Voltage, FAN Speed and Temperature Monitoring
Expansion Interface	Mini Card, 16-bit DIO, PCI-104
Battery	Lithium battery
Power Requirement	+12V, AT/ATX (default)
Power Consumption (Typical)	Intel® Atom™ D2550 1.86GHz, DDR3 1066MHz 4GB 1.23A@+12V
Board Size	4.5" x 6.5"(115mm x 165mm)
Gross Weight	1.2 lb (0.5 Kg)
Operating Temperature	32 °F ~ 140 °F (0 °C ~ 60 °C); -4 °F ~ 158 °F (-20 °C ~ 70 °C) For WiTAS 1
Storage Temperature	-40 °F ~ 176 °F (-40 °C ~ 80 °C)
Operating Humidity	0% ~ 90% relative humidity, non-condensing
MTBF (Hours)	51,000
Display	
Supports CRT/LCD/DVI simultaneous/Dual view displays	
Chipset	Intel® Atom™ D2550/ N2600 integrated
Resolution	Up to 1920 x 1200 for CRT, DVI (Optional) Up to 1366 x 768 for LCD
LCD Interface	Dual LVDS LCDs: 24-bit Single Channel LVDS LCD + 18/24-bit Dual-channel LVDS LCD for Intel® Atom™ D2550, 18-bit Single Channel LVDS LCD for Intel® Atom™ N2600
I/O	
Storage	SATA x 1, mSATA (Half-Size) x 1
Serial Port	RS-232 x 7, RS-232/422/485 x 1 (COM2)
Parallel Port	SPP/EPP/ECP x 1
USB	USB 2.0 x 7
PS/2 Port	Keyboard x 1, Mouse x 1
DIO	Digital I/O Support 16-bit(Programmable) Co-lay with LPT
Audio	Line-in/Line-out/Mic-in
Touch Screen	Supports 4/5-wire resistive touch screen (N2600 optional)



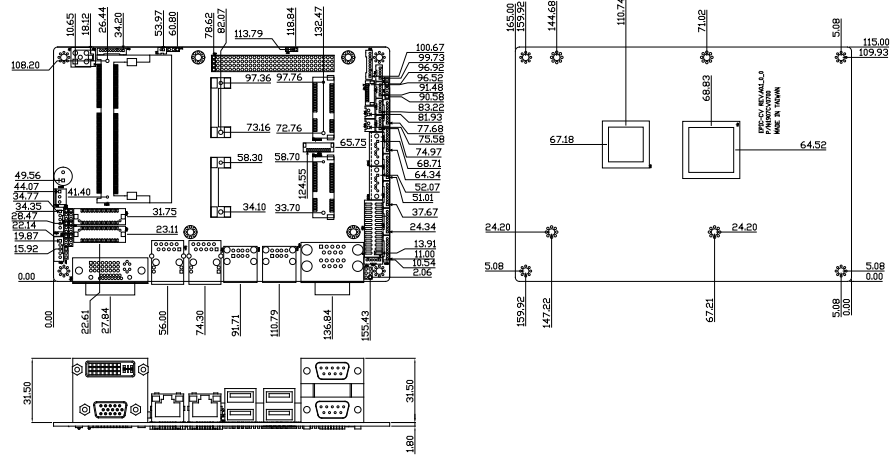
## Packing List

- 1709070500  
SATA Cable
- 1702150155  
SATA Power Cable
- 9657666600  
Jumper Cap
- Product DVD
- EPIC-CV07 with Heat Spreader

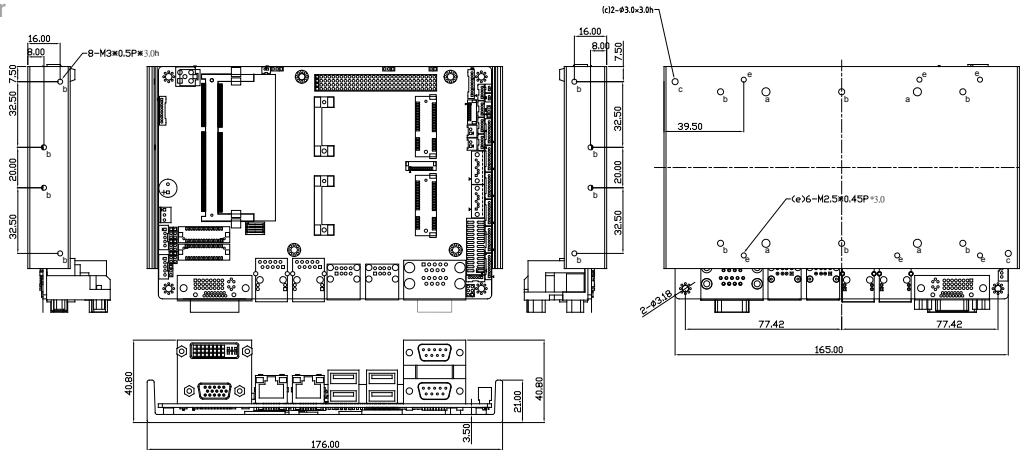
# EPIC-CV07

## Dimension

Unit: mm



## Heat Spreader



## Ordering Information

Part Number	CPU	Fan/Fanless	Display	LVDS	Storage	LAN	USB	RS-232	RS-232/422/485	Expansion Slot	Power	Temp
EPIC-CV07-A10-10	D2550	Fanless	CRT + LVDS1 CRT + LVDS2	LVDS1 18b, 1CH LVDS2 24b, 2CH	SATA x 1 mSATA (Half-Size) x 1	GbE x 2	7	7	1	Mini Card x 1, mSATA x 1, PCI-104	+12V, AT/ATX	0°C ~ 60°C
EPIC-CV07-A10-11	N2600	Fanless	CRT + LVDS1	LVDS1 18b, 1CH	SATA x 1 mSATA (Half-Size) x 1	GbE x 2	8	5	1	Mini Card x 1, mSATA x 1	+12V, AT/ATX	0°C ~ 60°C
EPIC-CV07W1-A10-11	N2600	Fanless	CRT + LVDS1	LVDS1 18b, 1CH	SATA x 1 mSATA (Half-Size) x 1	GbE x 2	8	5	1	Mini Card x 1, mSATA x 1	+12V, AT/ATX	-20°C ~ 70°C No Audio Support

### Note:

Intel® Atom™ Processor D2000 series and N2000 series (CV) do NOT support DMA function that may affect ECP mode of Parallel port.

## Optional Accessories

- M10CV07000**  
 Metal, Al, Heatspreader, 176mm x 100mm x 21mm, Rev.0.0, for EPIC-CV07
- 1701260200**  
 Flat Cable, 25P D-Sub Female, 26P 2.00mm Pitch Housing, 20cm
- 1700060155**  
 KB & PS/2 Mouse Cable, 6P Pitch=1.25mm Housing x 1, 15cm, for PFM-945C
- 1701010150**  
 Flat Cable, 10P Pitch=1.25mm Housing x 1, 15cm, for PFM-945C
- 1700050207**  
 Flat Cable for USB, 5P Pitch=1.25mm Housing x 1, 20cm, for PFM-945C
- 1701090150**  
 Flat Cable for COM, D-Sub 9(M), 9P Housing, 9P 1.25mm Pitch Housing, 15cm
- 1702150155**  
 Power Cable, 15P SATA(F), 2P 2.0mm Housing (PH), 15cm
- 1709100254**  
 Audio Cable, 14P Pitch=1.25mm Housing x 1, 51cm, for PFM-945C
- M10CV07000**  
 Metal, Al, Heatspreader, 176mm x 100mm x 21mm