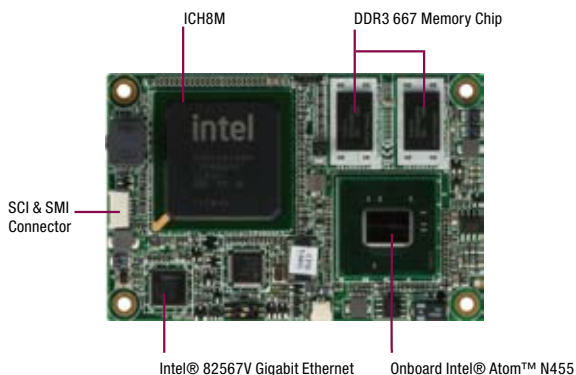


NanoCOM-LN

COM Express Type 1 CPU Module with Onboard Intel® Atom™ N455 Processor

06

COM Express CPU Modules



Features

- Onboard Intel® Atom™ N455 Processor
- Intel® ICH8M
- Onboard DDR3 667 Memory Chip, Max. 2 GB
- Gigabit Ethernet
- CRT, 18-bit Single Channel LVDS LCD
- High Definition Audio Interface
- PATA SSD (Up to 4GB) x 1, SATA 3.0Gb/s x 3
- USB2.0 x 8
- PCI-Express [x1] x 5
- Wide DC Input Range, +4.75V to +14.7V (Optional)
- COM Express Pin-out Type 1
- Nano Module Size, 84mm x 55mm, COM.0 Rev. 1.0

Specifications

System	
Form Factor	COM Express Nano Module, Pin-out Type 1, COM.0 Rev. 1.0
Processor	Onboard Intel® Atom™ N455 Processor, 1.66 GHz
System Memory	Onboard DDR3 667 memory chip, Max. 2 GB
Chipset	Intel® ICH8M
I/O Chipset	ICH8M
Ethernet	Intel® 82567V, 10/100/1000Base-TX
TPM	—
BIOS	AMI BIOS SPI type, 2MB ROM
EEPROM	Atmel® AT24C02, save BIOS and Configuration data (Optional)
Wake on LAN	Yes
Watchdog Timer	Fintek F75111
H/W Status Monitoring	Supports CPU temperature monitoring
Expansion Interface	PCI-Express [x1] x 5 LPC bus x 1 SMBus x 1 I2C x 1
Power Requirement	Wide DC input range, +4.75V to +14.7V (Optional) Nominal: +12V
Power Consumption (Typical)	Intel® Atom™ N455 1.66GHz, DDR3 667 1GB 0.81A@+12V
Board Size	3.31"(L) x 2.17"(W) (84mm x 55mm)
Gross Weight	0.44 lb (0.2 Kg)
Operating Temperature	32°F ~ 140°F (0°C ~ 60°C)
Storage Temperature	-40°F ~ 176°F (-40°C ~ 80°C)
Operating Humidity	0% ~ 90% relative humidity, non-condensing
MTBF (Hours)	100,000
Display	
Supports CRT/LCD simultaneous/ dual view displays	
Chipset	Intel® N455 integrated Integrates hardware MPEG2 decoder
Memory	Shared system memory up to 256MB/ DVMT 4.0
Resolution	Up to 1400 x 1050 (SXGA)@60Hz for CRT (N455) Up to 1366 x 768 or 1280 x 800 (WXGA) for LCD
LCD Interface	18-bit Single Channel LVDS



I/O	
Storage	1. PATA SSD onboard (Master device), Max. 4GB 2. SATA 3.0Gb/s x 3
Serial Port	—
Parallel Port	—
USB	USB2.0 x 8
PS/2 Port	—
Digital I/O	—
IrDA	—
Audio	High definition audio
GPIO	Up to 4 in and 4 out

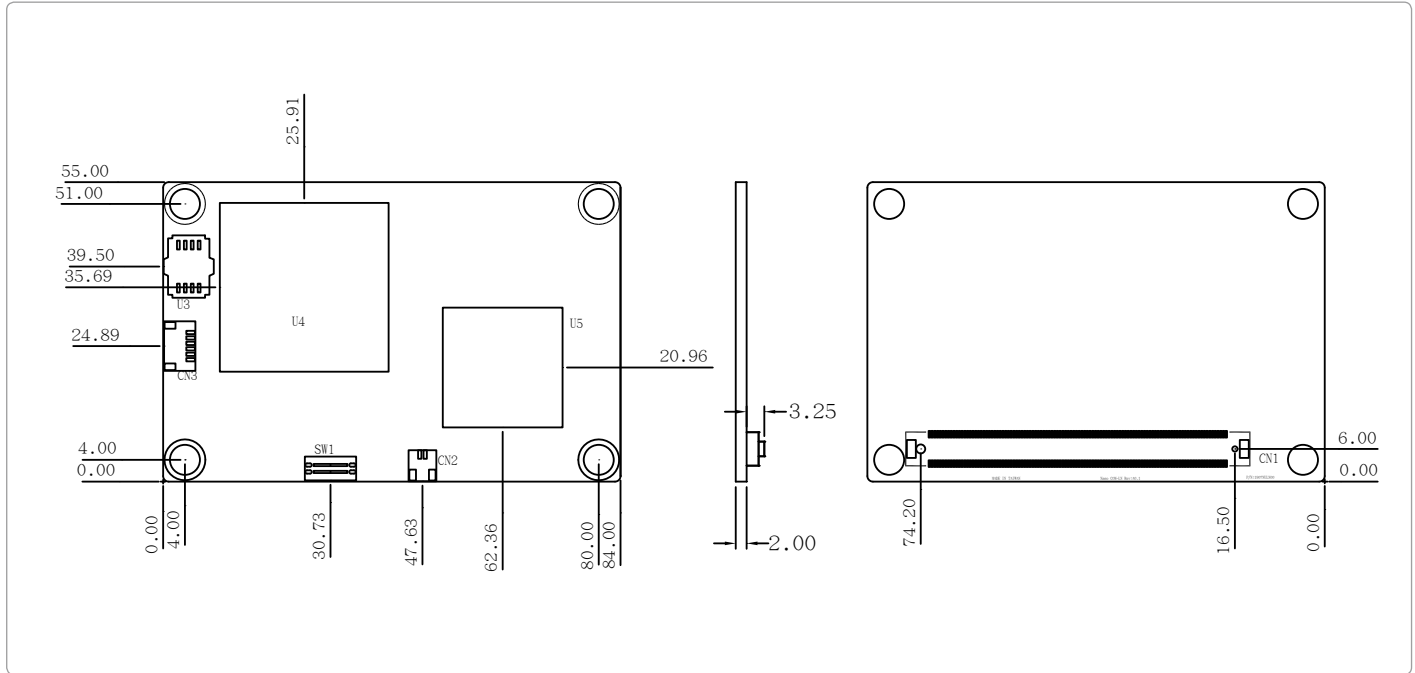
Packing List

- M2.5 Screw x 4
- Product CD
- NanoCOM-LN

NanoCOM-LN

Dimension

Unit: mm



Ordering Information

Part Number	COM Express Type	CPU	Memory	Display	LVDS	Storage	LAN	USB	UART	Expansion Slot	Power	Temp
NanoCOM-LN-A10	1 (COM.0 Rev.1.0)	Intel® Atom™ N455/1.66GHz	Onboard 1GB DDR3	CRT, LVDS	18-bit Single Channel	4GB SSD SATA2 x 2	GbE x 1	USB2.0 x 8	—	PCI-E [x1] x 5	12V	0°C ~ 60°C
NanoCOM-LN-A10-01	1 (COM.0 Rev.1.0)	Intel® Atom™ N455/1.66GHz	Onboard 1GB DDR3	CRT, LVDS	18-bit Single Channel	SATA2 x 2	GbE x 1	USB2.0 x 8	—	PCI-E [x1] x 5	12V	0°C ~ 60°C

Optional Accessories

- TF-ECB-916M-A21**
 COM Express Carrier Board, microATX, Dual Gigabit Ethernet, 7.1CH Audio, 2 COM (Winbond), USB, PCI-Express, AT/ATX, Rev.A2.1
- TF-PER-A104**
 CPU Cooler, For NanoCOM-LN, Onboard CPU, 12V Fan
- TF-PER-A105**
 Passive Heatsink, For NanoCOM-LN, Onboard CPU
- TF-PER-A106**
 Heat Spreader Kit, For NanoCOM-LN, Onboard CPU