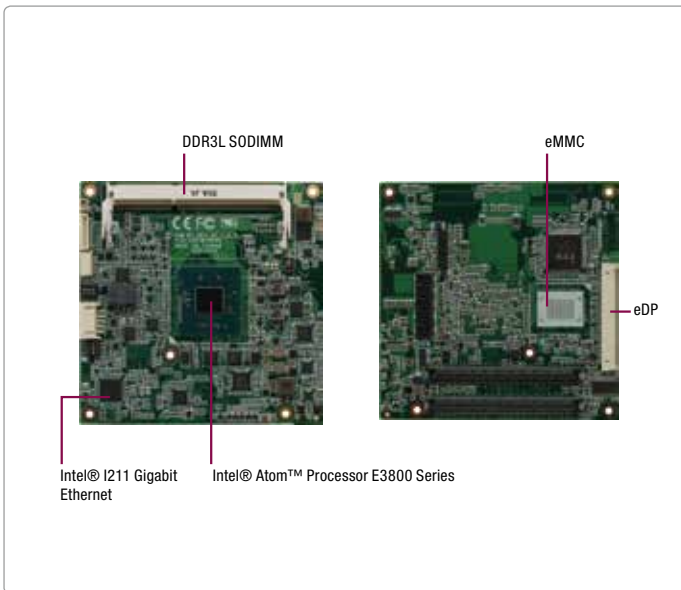


COM-BT

COM Express Type 6 CPU Module with Onboard Intel® Atom™ E3800 Series Processor



Features

- Onboard Intel® Atom™ E3845/E3827/E3815 Processor
- DDR3L 1066/1333 MHz SODIMM x 1, Up to 4GB
- Intel Gigabit Ethernet
- CRT, Up to 24-bit Dual-channel LVDS LCD, DP/HDMI
- High Definition Audio Interface
- SATA 3.0Gb/s x 2, eMMC (optional)
- USB3.0 x 1, USB2.0 x 8
- PCI-Express [x1] x 3
- COM Express Compact Module, Pin-out Type 6, COM.0 Rev. 2.1

Specifications

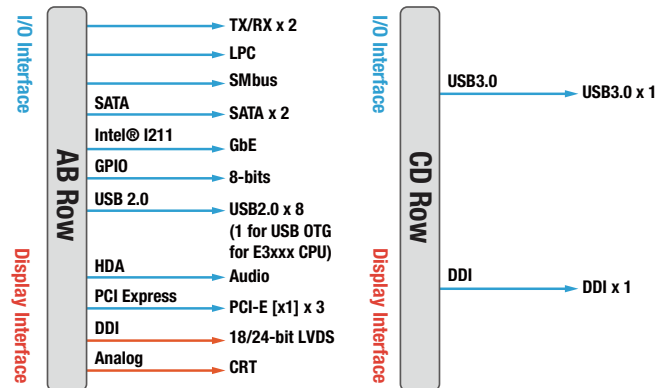
System	
Form Factor	COM Express compact module, Pin-out Type 6, COM.0 Rev. 2.1
Processor	Intel® Atom™ processors Quad core: E3845 (1.91GHz) Dual core: E3827 (1.75 GHz) Single core : E3815 (1.46GHz)
System Memory	DDR3L 1066/1333 MHz SODIMM x 1, up to 4GB
Chipset	Intel® Atom™ E3800 SoC
I/O Chipset	Intel® Atom™ E3800 SoC
Ethernet	Intel® I211, Gigabit Ethernet
TPM	TPM 1.2 (optional)
BIOS	AMI BIOS
Wake On Lan	Yes
Watchdog Timer	ITE IT8518, 255 levels
H/W status Monitoring	supports CPU temperature monitoring
Expansion interface	PCI-E [x1] x 4 (one shared with Gigabit LAN)
Power Requirement	Normal: +12V
Power consumption	—
Board Size	3.74" x 3.74" (95mm x 95mm)
Gross Weight	0.55 lb (0.3Kg)
Operating Temperature	32°F ~ 140°F (0°C ~ 60°C)
Storage Temperature	-40°F ~ 176°F (-40°C ~ 80°C)
Operating Humidity	0% ~ 90% relative humidity, non-condensing
MTBF (Hours)	81,000
Display	
	Supports CRT/LVDS simultaneous/ two view displays
Chipset	Intel® Atom™ E3845/E3827/E3815 processors integrated
Memory	Shared system memory up to 512MB/ DVM T 5.0
Resolution	Up to 2560 x 1600 for HDMI Up to 2560 x 1600 for Display Port Up to 2560 x 1600 for eDP Up to 2560 x 1600 for VGA
LCD Interface	Up to 18/24-bit dual-channel LVDS
I/O	
Storage	SATA 2.0 port x 2, 4GB eMMC (optional)
Serial Port	2 (Tx/Rx ONLY)
Parallel Port	—
USB	USB 2.0 x 8 (1 for USB OTG for E3xxx CPU), USB 3.0 x 1
PS/2 Port	—
IrDA	—
Audio	High definition audio
GPIO	Up to 4 in and 4 out



Packing List

- M2.5 Screw x 4
- Product CD
- COM-BT

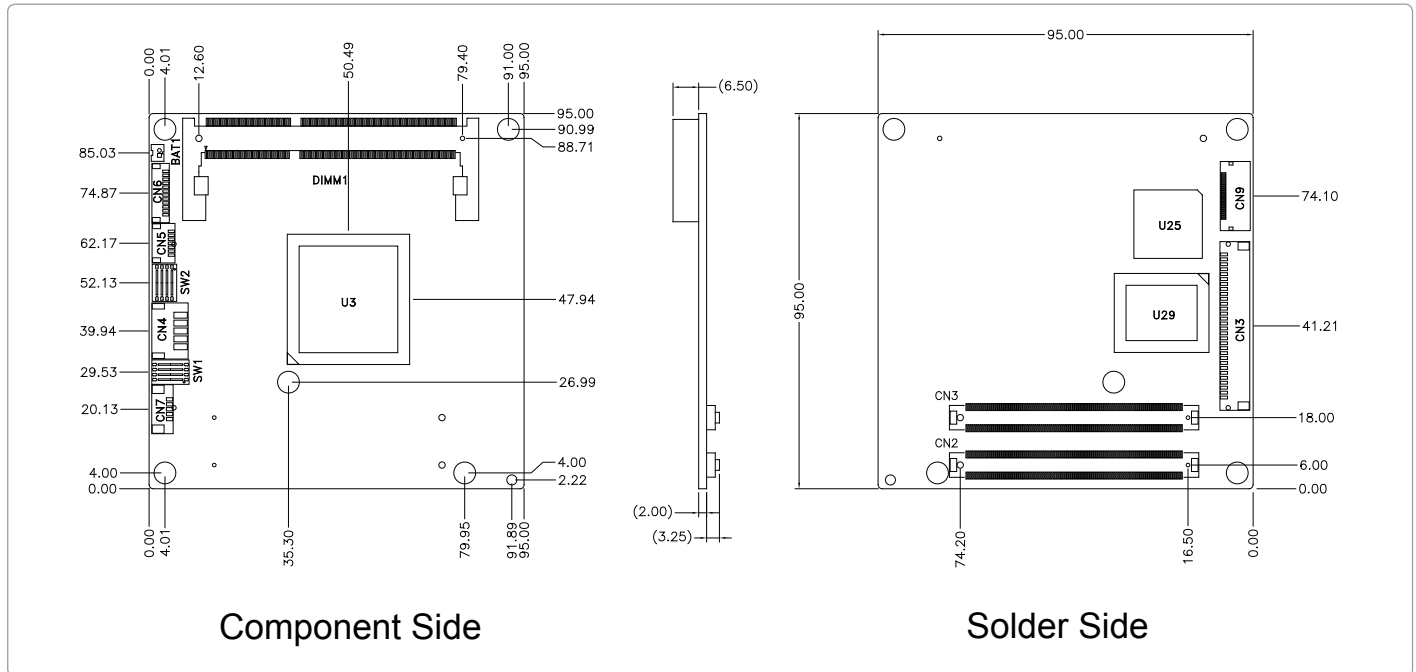
Block Diagram



COM-BT

Dimension

Unit: mm



Ordering Information

Part Number	COM Express Type	CPU	Memory	Display	LVDS	Storage	LAN	USB	UART	Expansion Slot	Power	Temp.
COM-BT-A10	6 (COM.0 Rev. 2.1)	Quad core: E3845 (1.91GHz)	DDR3L 1066/1333, Max. 4GB	VGA, HDMI, LVDS, eDP, DP	18/24b, 2CH	SATA x 2	GbE x 1	USB3.0 x 1 USB2.0 x 8	2 (TX/RX)	PCI-Express [x1] x 3	12V	0°C - 60°C
COM-BT-A10-01	6 (COM.0 Rev. 2.1)	Dual core: E3827 (1.75GHz)	DDR3L 1066/1333, Max. 4GB	VGA, HDMI, LVDS, eDP, DP	18/24b, 2CH	SATA x 2	GbE x 1	USB3.0 x 1 USB2.0 x 8	2 (TX/RX)	PCI-Express [x1] x 3	12V	0°C - 60°C
COM-BT-A10-02	6 (COM.0 Rev. 2.1)	Single core: E3815 (1.46GHz)	DDR3L 1066/1333, Max. 4GB	VGA, HDMI, LVDS, eDP, DP	18/24b, 2CH	SATA x 2	GbE x 1	USB3.0 x 1 USB2.0 x 8	2 (TX/RX)	PCI-Express [x1] x 3	12V	0°C - 60°C

Optional Accessories

- ECB-920A-A10**
 COM Express Type 1/6/10 Carrier Board, Gigabit Ethernet, USB, 2 COM, 4 SATA, PCIe, AT/ATX, Legacy Free, Rev. A1.0
- PER-A117**
 Passive Heatsink, For COM-CV, to be used with heat spreader
- PER-A126**
 Heat Spreader, For COM-BT, Onboard CPU