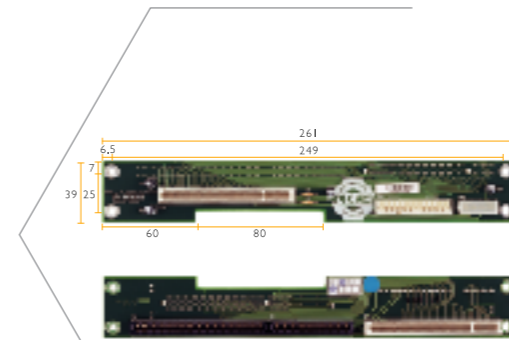
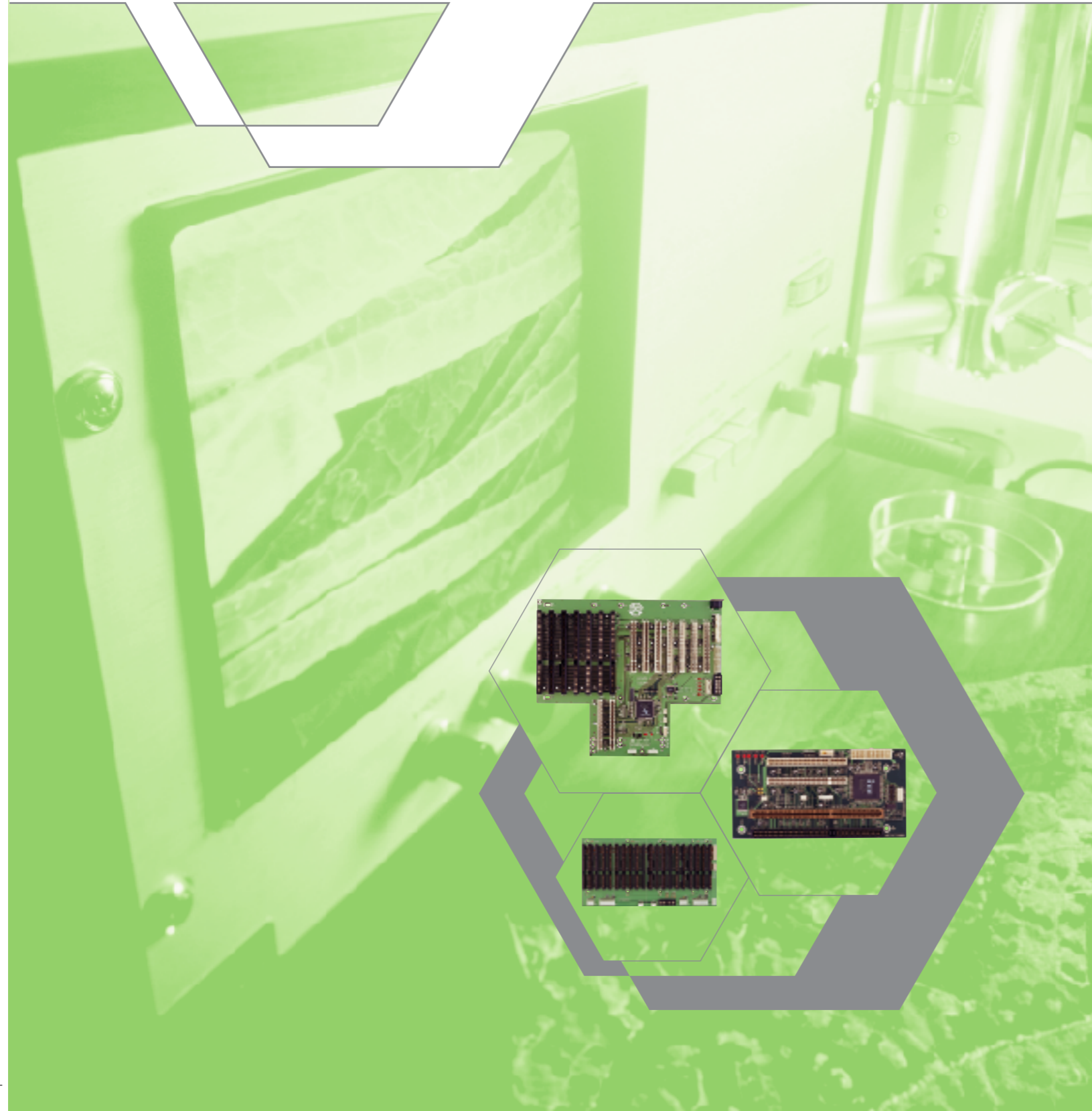


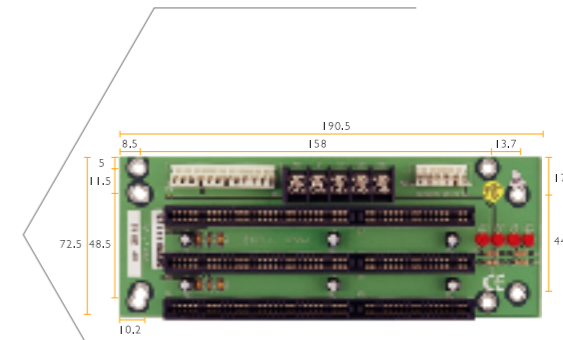


- BP-202SG-PI-A10
- BP-203SI-A10
- BP-204SG-PI-A10
- BP-204SS-PI-A11
- BP-204SS-PI-A11-01

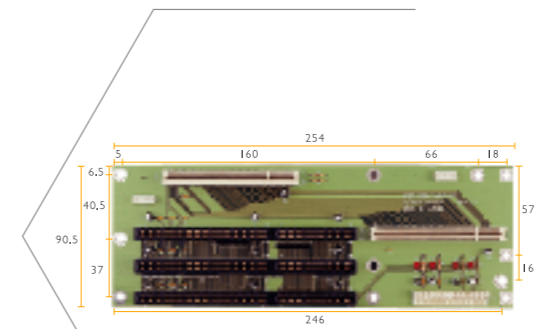
Passive Backplane



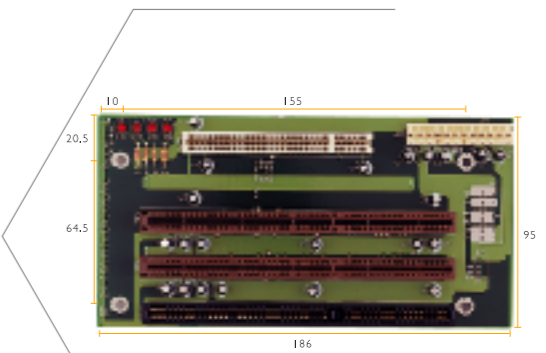
BP-202SG-PI-A10
 > Segments : 1 Segment
 > Slot : 1 x PICMG , 1 X PCI



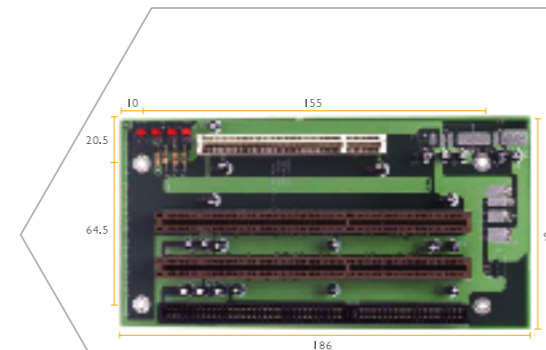
BP-203SI-A10
 > Segments : 1 Segment
 > Slot : 3 x ISA



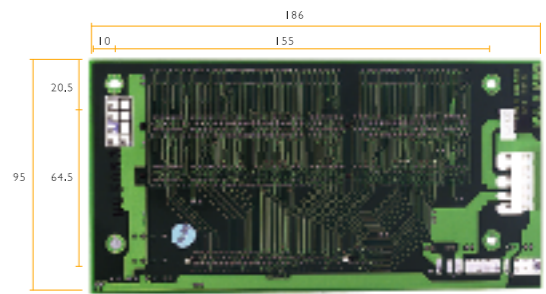
BP-204SG-PI-A10
 > Segments : 1 Segment
 > Slot : 1 x PICMG , 1 X PCI , 2 x ISA



BP-204SS-PI-A11
 > Segments : 1 Segment
 > Slot : 2 x PCISA , 1 X PCI , 1 x ISA
 > Chassis :AEC-204



BP-204SS-PI-A11-01
 > Segments : 1 Segment
 > Slot : 2 x PCISA , 1 X PCI , 1 x ISA



BP-204SS-PI-A11-01 (Back)